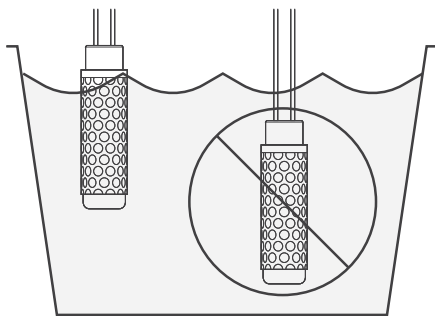


INSTRUCTION CARD

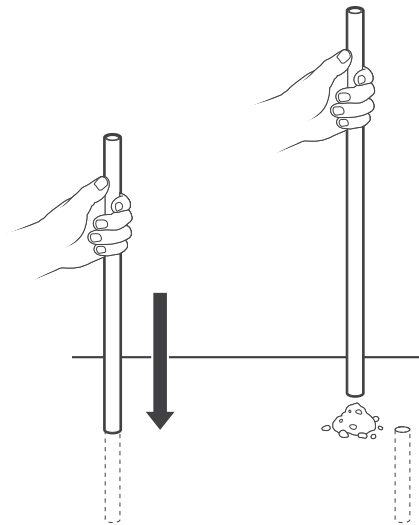
SC-PROBE FOR SOIL-CLIK® MODULE AND NODE-BT

Installing the SC-PROBE

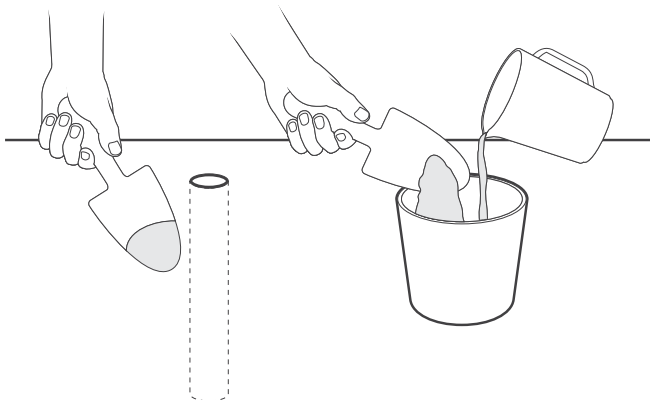
- 1 Soak lower two-thirds of probe for 30 minutes before installing. Do not allow water to cover the top cap where wires are connected.



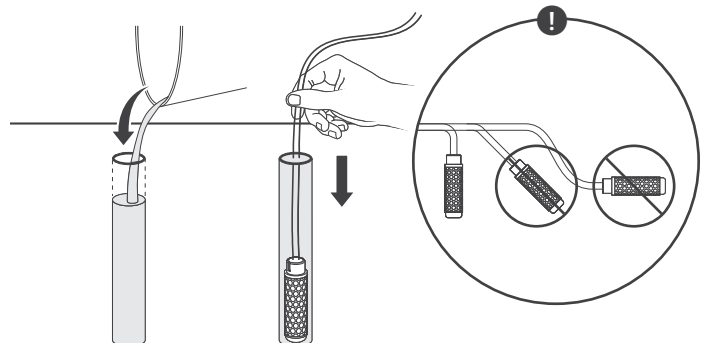
- 2 Use ½" (12 mm) PVC pipe to make a vertical hole to desired depth in the soil (outside diameter ⅞" (22 mm)).



- 3 Mix a slurry of native soil and water. Pour the mixture into the hole.



- 4 Place sensor in vertical position (do not tilt more than 45°) at bottom of hole.



- ! Do not the install probe horizontally.

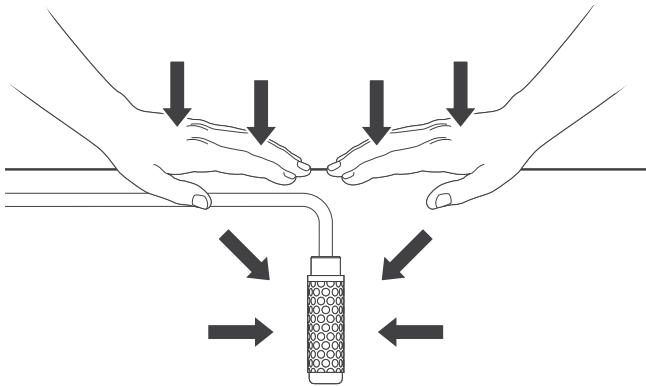


Installation information:

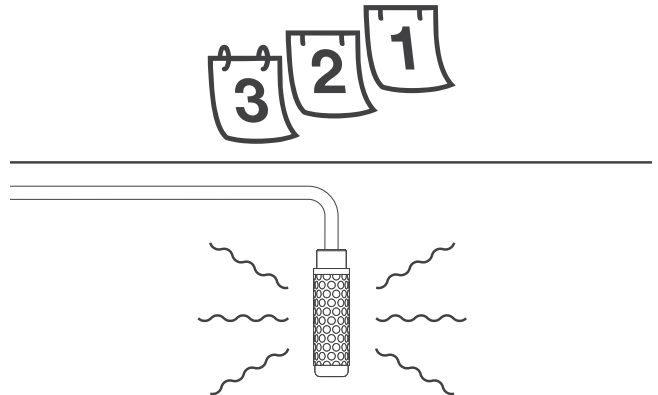
Visit hunter.direct/soilclik for complete setup information.

Installing the SC-PROBE (continued)

- 5 Pack native soil tightly around probe. Soil must be in full contact with probe.

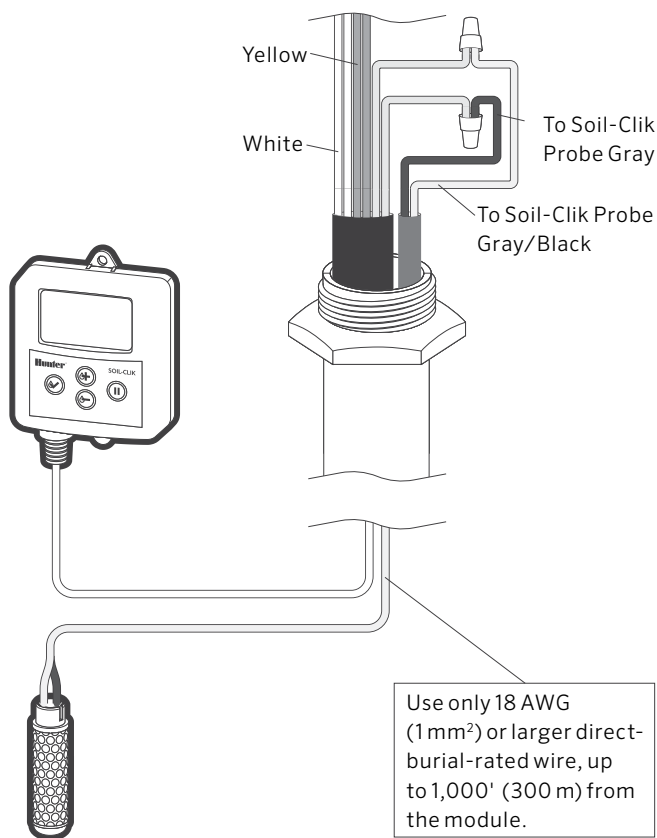


- 6 Allow the probe to acclimate for two to three days and water normally before proceeding to sensor-based irrigation.



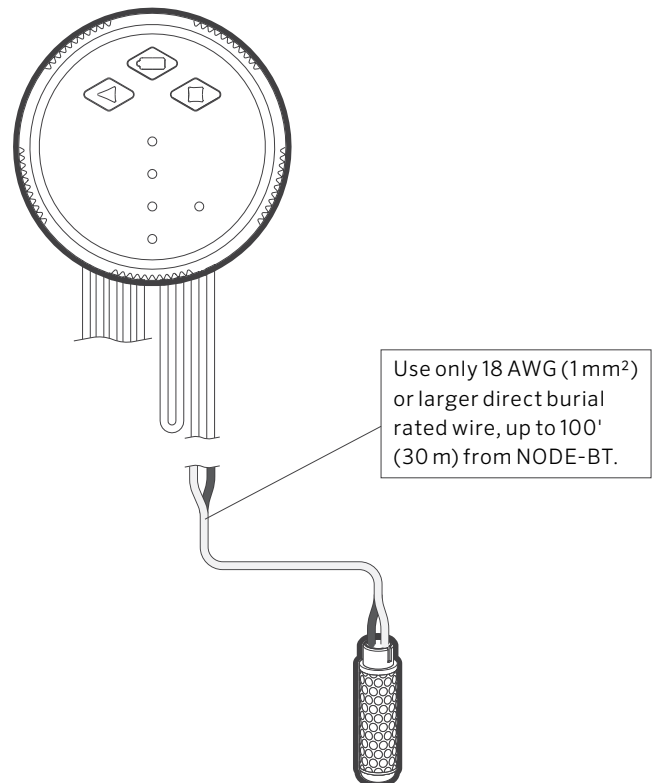
Connecting the Probe to the Soil-Clik Module

Connect the gray/black probe wires to the two gray Soil-Clik module wires with waterproof connections (polarity is not important in this system).



Connecting the Probe to NODE-BT

Cut the clear waterproof seal on the gray two wires connected to the controller. Connect the gray/black probe wires with waterproof connections (polarity is not important in this system). The Soil-Clik module is not used with NODE-BT installations.



! Avoid high-voltage lines and other sources of electrical interference.