

# LKS-SE Automated well pump



## Application

- Pumping for wells, tanks, rainwater recovery
- For domestic applications (watering, small irrigation, rainwater recovery)

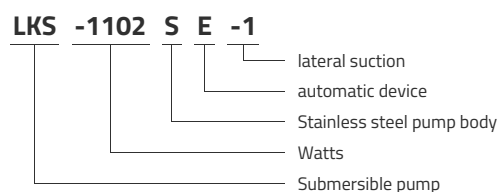
## Pompe

- Pressure switch built into the pump
- Automatic operation (on / off)
- Stainless steel pump body
- Maximum liquid temperature: +35°C
- Maximum immersion depth: 12 m

## Moteur

- Rewindable motor
- Integrated thermal protection
- Insulation class: F
- Protection class: IPX8

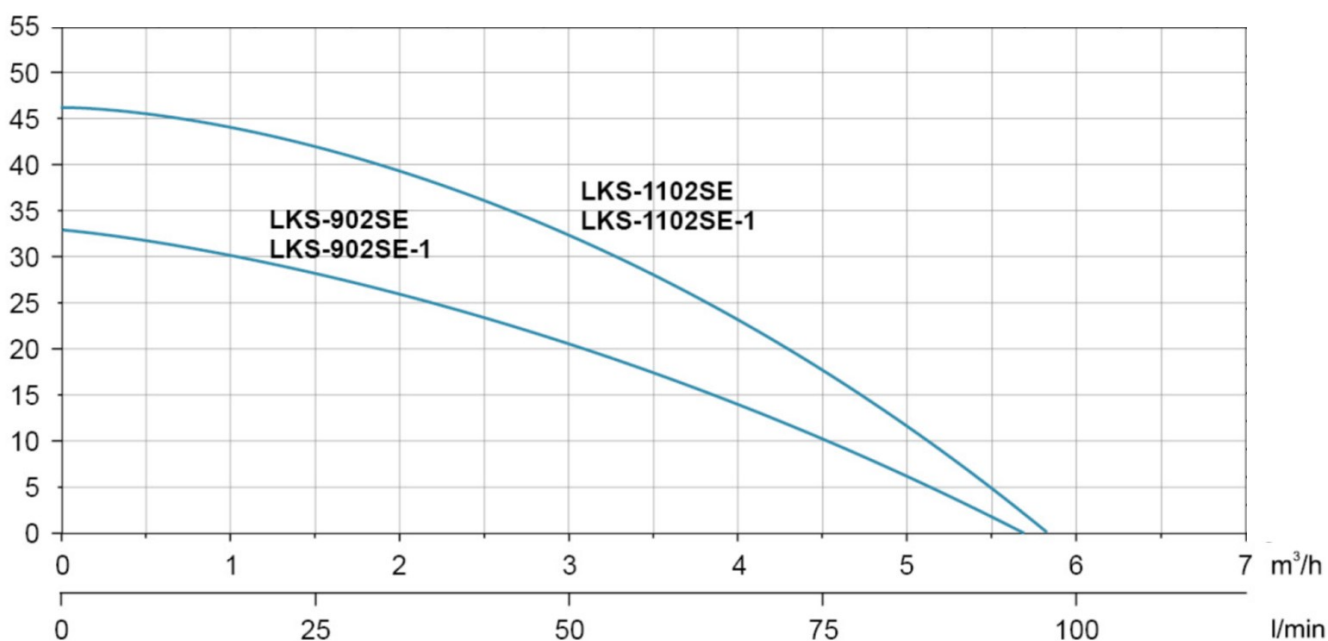
## Identification codes



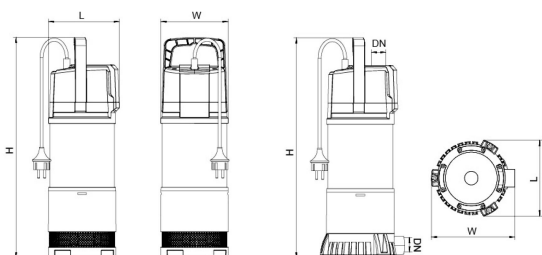
## Technical data

MODEL	kW	Q (m <sup>3</sup> /h)											
		0.5	1	1.5	2	2.5	3	3.5	4	4.5	5	5.5	
	Q (l/min)	8	17	25	33	42	50	58	67	75	83	92	
LKS-902SE	0.9	33.5	31.3	29	26.5	23.8	20.6	17.5	14	10.3	6.8	2.8	
LKS-902SE-1	0.9	33.5	31.3	29	26.5	23.8	20.6	17.5	14	10.3	6.8	2.8	
LKS-1102SE	1.1	45	43.7	42	39.6	36.5	32.5	28	22.7	17.1	11	5	
LKS-1102SE-1	1.1	45	43.7	42	39.6	36.5	32.5	28	22.7	17.1	11	5	

## Hydraulic performance



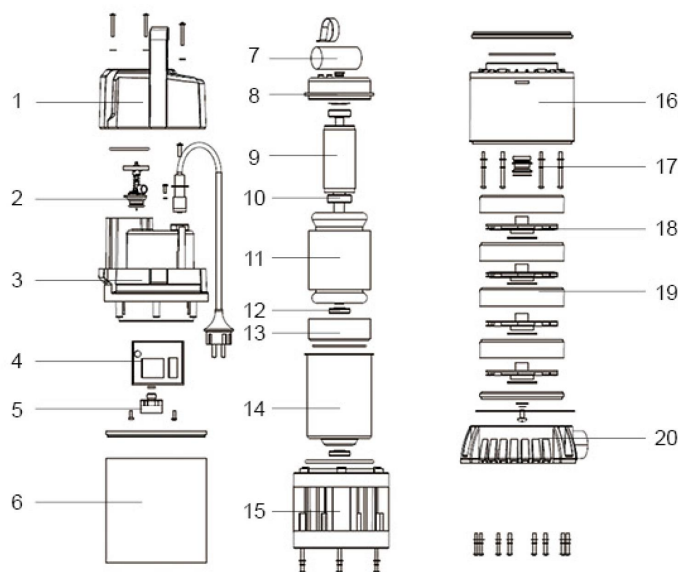
## Dimensions



MODEL	DN	L	W	H
LKS-902SE	25	163	163	469
LKS-902SE-1	25	168	187	492
LKS-1102SE	25	163	163	493
LKS-1102SE-1	25	168	187	486

## Exploded view

No.	Type	Materials
1	Handle	polypropylene-fiberglass PP-GF30
2	Flow sensor	
3	Terminal Box	polypropylene-fiberglass PP-GF30
4	Electric case	
5	Pressure sensor	
6	Jacket	AISI 304 stainless steel
7	Capacitor	
8	Rear cover	cast aluminum ZL102
9	Rotor	
10	Bearing	
11	Stator	
12	Seal	
13	Front engine bearing support	cast aluminum ZL102
14	Box	Q235 steel
15	Lantern	polypropylene-fiberglass PP-GF30
16	Guide sleeve	polypropylene-fiberglass PP-GF30
17	Mechanical seal	
18	Impeller	noryl-fiberglass PP-GF30
19	Diffuser	noryl-fiberglass PP-GF30
20	Base	polypropylene-fiberglass PP-GF30



## Packaging

MODEL	Weight (kg)	Length L (mm)	Width W (mm)	Height H (mm)
LKS-902SE	10.3	260	215	540
LKS-902SE-1	10.3	260	215	540
LKS-1102SE	11.6	260	215	565
LKS-1102SE-1	11.6	260	215	565

