

REMER

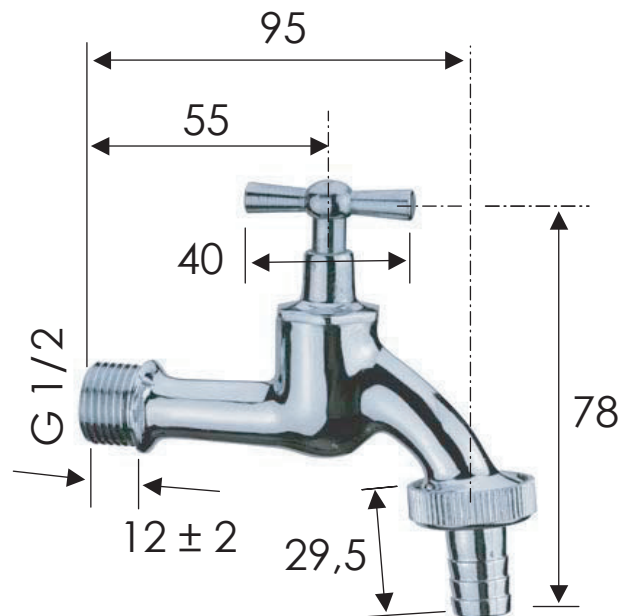
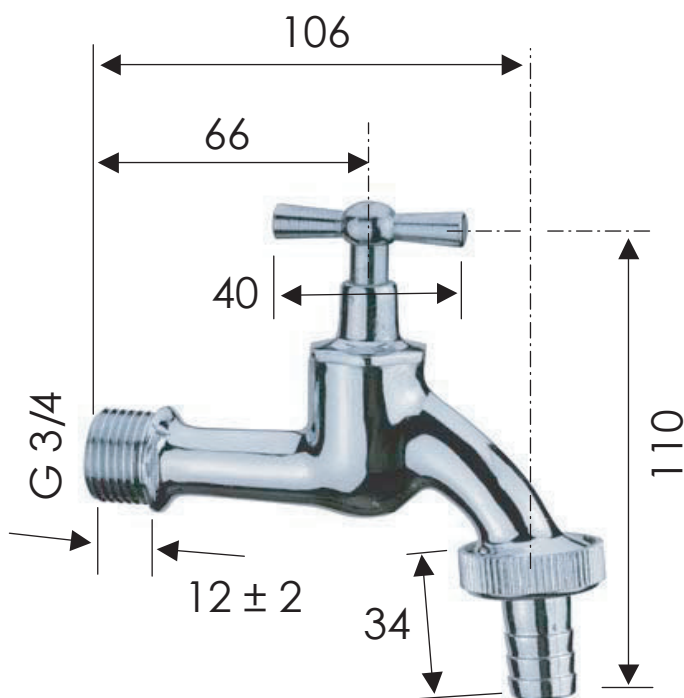
SCHEDA TECNICA

TECHNICAL FEATURES

RUBINETTERIE

ART. COD.

200T 3/4 1/2



MATERIALI / MATERIALS

OTTONE / BRASS NBR

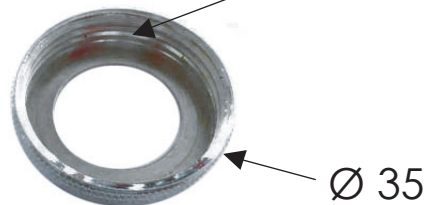
200T 34

ROMPIGETTO
INTERNO
INSIDE
FLOW
STRAIGHTENER

Ø 19,5



G1"



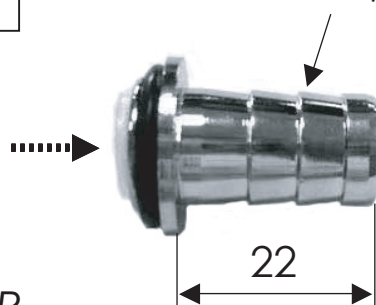
Ø 35

CROMATURA / C.P. UNI EN 248

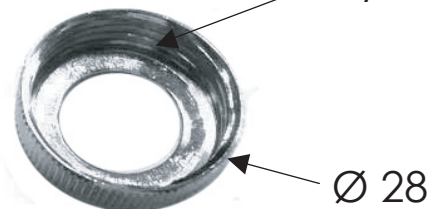
200T 12

ROMPIGETTO
INTERNO
INSIDE
FLOW
STRAIGHTENER

Ø 14,5



G3/4



Ø 28

Via Leonardo da Vinci 83 - 20062 Cassano d'Adda (MI) Italy - Tel. +39-0363 364211

info@remer.eu

www.remer.eu