

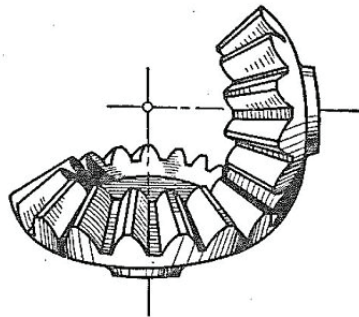
# PARTS LIST

DEMOLITION HAMMER

**BPH6500**

Art# 023197

**SDS-MAX**

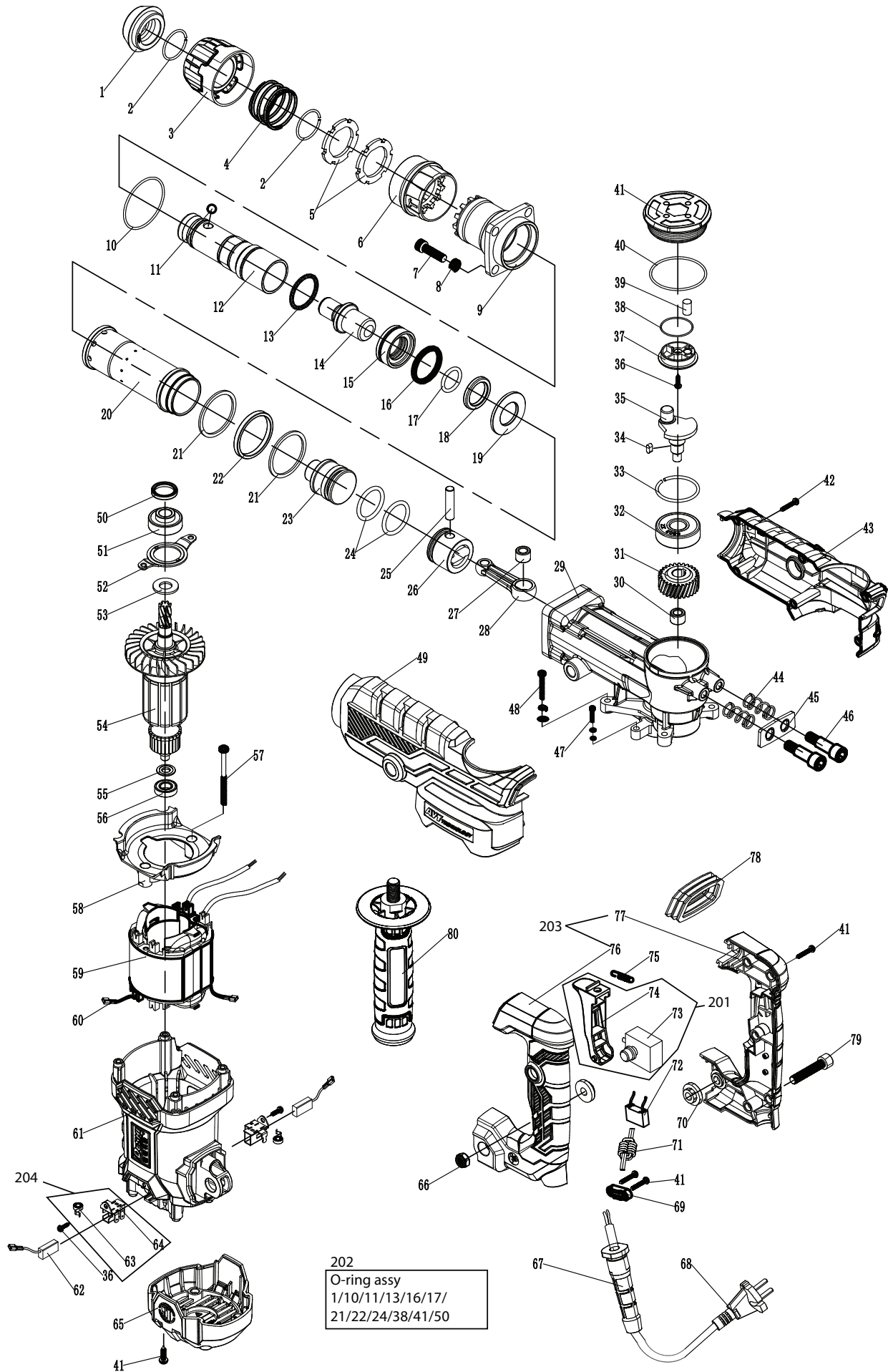


Use only BORMANN genuine parts as specified in the parts list for repair or replacement.  
Check if your machine meets the applicable models listed below.  
The contents described in the parts list may change due to improvement.



**APPLICABLE:**

March 2020



# BPH6500 Fig. A



No#	Code	Description (EN)	QTY	Notes
1	0231970001	rubber head	1	
2	0231970002	External retaining ring 27.5*2	2	
3	0231970003	Steel Frame	1	
4	0231970004	Spring $\Phi 35 \times \Phi 2 \times 4 \times 45$	1	
5	0231970005	Angle regulating board	2	
6	0231970006	Angle regulating sleeve	1	
7	0231970007	seal lock Hex.Socket Hd.Bolt M8*30	4	
8	0231970008	Spril Washer 8	4	
9	0231970009	iron head	1	
10	0231970010	O-ring 48*2	1	
11	0231970011	Ball 7.94	2	
12	0231970012	teleflex	1	
13	0231970013	O-ring30*2	1	
14	0231970014	Punch Hammer	1	
15	0231970015	punch hammer holder	1	
16	0231970016	X-ring 37.8*1.2	1	
17	0231970017	O-ring 23.5*3.5	1	
18	0231970018	damping rubber washer 32.8*22.5*4.5	1	
19	0231970019	washer 43.8*23.5*3	1	
20	0231970020	Cylinder	1	
21	0231970021	washer 47.8*41.2*2	2	
22	0231970022	damping rubber washer 47.8*41.2*5	1	
23	0231970023	Hammer	1	
24	0231970024	o-ring 28.4*3.5	2	
25	0231970025	piston pin	1	
26	0231970026	piston	1	
27	0231970027	Needle Bearing HK1210	1	
28	0231970028	Connecting Rod	1	
29	0231970029	Gear Box	1	
30	0231970030	Needle Bearing HK 081410	1	
31	0231970031	Gear 27teeth	1	
32	0231970032	bearing 6302-2RS	1	
33	0231970033	steel ring 45*2	1	
34	0231970034	Flat key 4*4*8	1	
35	0231970035	Crankshaft	1	
36	0231970036	cross recessed pan head screw ST3.9*12	3	
37	0231970037	vent caps	3	
38	0231970038	O ring 28*1.8	1	
39	0231970039	pin 7*15	1	
40	0231970040	oil cap	1	
41	0231970041	O ring 51.3*2	1	
42	0231970042	cross recessed pan head screw ST3.9*16	17	
43	0231970043	right housing cover	1	
44	0231970044	damping spring	2	
45	0231970045	damping board	1	
46	0231970046	Shock absorbing screw	2	
47	0231970047	seal lock Hex.Socket Hd.Bolt M5*16	2	
48	0231970048	cross recessed pan head screw ST4.8*30	4	
49	0231970049	left housing cover	1	
50	0231970050	oil seal 18.3*24.5*4	1	

No#	Code	Description (EN)	QTY	Notes
51	0231970051	bearing 6201	1	
52	0231970052	bearing board	1	
53	0231970053	flat washer	1	
54	0231970054	rotor	1	
55	0231970055	dust proof washer	1	
56	0231970056	bearing 608	1	
57	0231970057	cross recessed pan head screw ST4.8*65	2	
58	0231970058	Fan Guide	1	
59	0231970059	stator	1	
60	0231970060	cooper splice pin	2	
61	0231970061	housing	1	
62	0231970062	carbon brush	2	
63	0231970063	coil spring	2	
64	0231970064	brush carrier	2	
65	0231970065	back cover	1	
66	0231970066	Nut M8	1	
67	0231970067	cable sleeve	1	
68	0231970068	cable	1	
69	0231970069	cable board	1	
70	0231970070	Damping Ring	2	
71	0231970071	Inductance	1	
72	0231970072	Capacitance	1	
73	0231970073	switch	1	
74	0231970074		1	
75	0231970075	Switch Spring	1	
76	0231970076	left handle	1	
77	0231970077	right handle	1	
78	0231970078	Damping set	1	
79	0231970079	cross recessed pan head screw ST 4.8*35	1	
80	0231970080	Auxiliary Handle	1	
201	0231970201	Switch assy	1	
202	0231970202	O-ring assy	1	
203	0231970203	Handle assy	1	
204	0231970204	brush carrier assy	1	