

# BORMANN®

# PRO



# BBP5000

032700

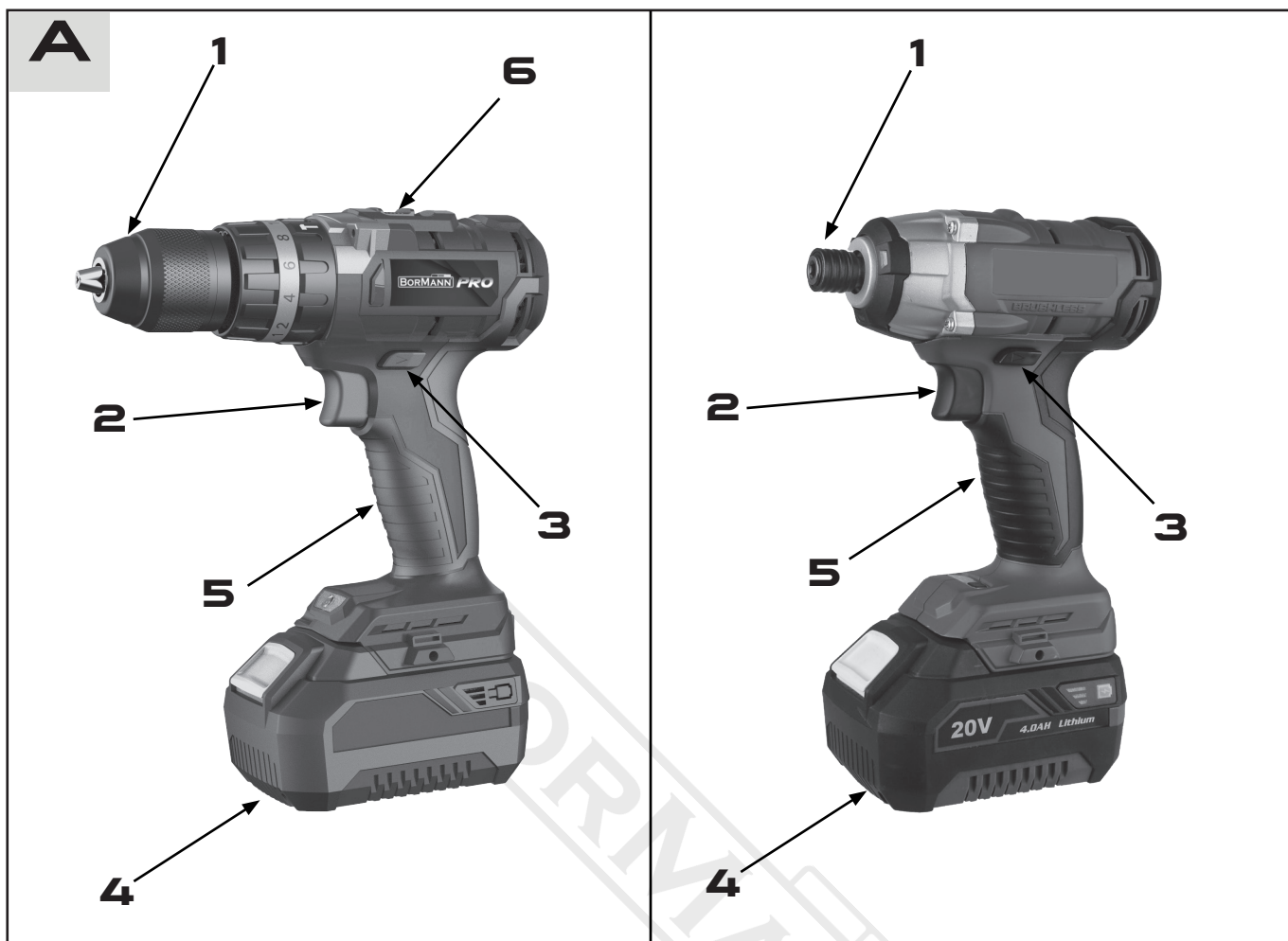
EN

EL

v2.1

[WWW.BORMANNTOOLS.COM](http://WWW.BORMANNTOOLS.COM)





#### Technical Data

Power tool	Hammer Drill	Impact Screw Driver
Voltage	20V	20V
No load speed	0-400RPM/0-1400RPM	0-2800RPM
Max. Torque/Settings	55Nm/24+1	200Nm / n/a
Chuck	2-13mm (keyless)	1/4"
Motor type	Brushless	Brushless
Battery	2 x 4000mAh Li-Ion	

\* The manufacturer reserves the right to make minor changes to product design and technical specifications without prior notice unless these changes significantly affect the performance and safety of the products. The parts described / illustrated in the pages of the manual that you hold in your hands may also concern other models of the manufacturer's product line with similar features and may not be included in the product you just acquired.

\* Please note that our equipment has not been designed for use in commercial, trade or industrial applications. Our warranty will be voided if the machine is used in commercial, trade or industrial businesses or for equivalent purposes.

\* To ensure the safety and reliability of the product and the warranty validity, all repair, inspection, repair or replacement work, including maintenance and special adjustments, must only be carried out by technicians of the authorized service department of the manufacturer.

#### Τεχνικά Χαρακτηριστικά

Τύπος εργαλείου	Κρουστικό δραπ/κατσάβιδο	Παλμικό κατσαβίδι
Τάση	20V	20V
Ταχύτητα άνευ φορτίου	0-400RPM/0-1400RPM	0-2800RPM
Μέγ.Ροπή/Θέσεις	55Nm/24+1	200Nm / Δεν διατίθεται
Τύπος τσόκ	2-13mm (αυτόματο)	1/4"
Τύπος ΗΛ/ΚΙΝΗΤΗΡΑ	Brushless	Brushless
Τύπος μπαταρίας	2 x 4000mAh Li-Ion	

\* Ο κατασκευαστής διατηρεί το δικαίωμα να πραγματοποιήσει δευτερεύουσες αλλαγές στο σχεδιασμό του προϊόντος και στα τεχνικά χαρακτηριστικά χωρίς προηγούμενη ειδοποίηση, εκτός εάν οι αλλαγές αυτές επηρεάζουν σημαντικά την απόδοση και λειτουργία ασφάλειας των προϊόντων. Τα εξαρτήματα που περιγράφονται / απεικονίζονται στις σελίδες του εγχειριδίου που κρατάτε στα χέρια σας ενδέχεται να αφορούν και σε άλλα μοντέλα της σειράς προϊόντων του κατασκευαστή, με παρόμοια χαρακτηριστικά, και ενδέχεται να μην περιλαμβάνονται στο προϊόν που μόλις αποκτήσατε.

\* Λάβετε υπόψη ότι ο εξοπλισμός μας δεν έχει σχεδιαστεί για χρήση σε εμπορικές, επαγγελματικές ή βιομηχανικές εφαρμογές. Η εγγύησή μας θα ακυρωθεί αν το προϊόν χρησιμοποιείται σε εμπορικές, επαγγελματικές ή βιομηχανικές επιχειρήσεις ή για ανάλογους σκοπούς.

\* Για να διασφαλιστεί η ασφάλεια και η αξιοπιστία του προϊόντος καθώς και η ισχύς της εγγύησης όλες οι εργασίες επιδιόρθωσης, ελέγχου, επισκευής ή αντικατάστασης συμπεριλαμβανομένης της συντήρησης και των ειδικών ρυθμίσεων, πρέπει να εκτελούνται μόνο από τεχνικούς του εξουσιοδοτημένου τμήματος Service του κατασκευαστή.

## General Safety Instructions



### **WARNING ! READ AND UNDERSTAND ALL INSTRUCTIONS.**

**Failure to follow all instructions listed below, may result in electric shock, fire and /or serious personal injury.**

#### Work area

1. Keep work area clean and well lit. Cluttered and dark areas invite accidents.
2. Do not operate power tools in explosive atmospheres, such as in the presence of flammable liquids, gases or dust. Power tools create sparks which may ignite the dust or fumes.
3. Keep children and bystanders away while operating a power tool. Distractions can cause you to lose control.

#### Electrical Safety

(The following applies only to tools with a separate battery pack)

A battery operated tool with integral batteries or a separate battery pack must be recharged only with the specified charger for the battery. A charger that may be suitable for one type of battery may create a risk of fire when used with another battery.

#### Personal Safety

1. Stay alert, watch what you are doing and use common sense when operating a power tool. Do not use a power tool while you are tired or under the influence of drugs, alcohol or medication. A moment of inattention while operating power tools may result in serious personal injury.
2. Dress properly. Do not wear loose clothing or jewellery. Contain long hair. Keep your hair, clothing, and gloves away from moving parts. Loose clothes, jewellery, or long hair can be caught in moving parts.
3. Avoid accidental starting. Be sure switch is in the locked or off position before inserting batter pack. Carrying tools with your finger on the switch invites accidents.
4. Do not overreach. Keep proper footing and balance at all times. Proper footing and balance enable better control of the tool in unexpected situations
5. Use safety equipment. Always wear hearing and eye protection, Dust mask, non-skid safety shoes, hard hat must be used for appropriate conditions.

#### Power tool use and care

1. Use clamps or other practical ways to secure and support the work piece to a stable platform. Holding the work piece by hand or against your body is unstable and may lead to loss of control.
2. Do not force tool. Use the correct tool for your application. The correct tool will do the job better and safer at the rate for which it is designed.
3. Do not use tool if switch does not turn it on or off. A tool that cannot be controlled with the switch is dangerous and must be repaired.
4. Store idle tools out of reach of children and other untrained persons. Tools are dangerous in the hands of untrained users
5. Maintain tools with care. Keep cutting tools sharp and clean. Properly maintained tools with sharp cutting edge are less likely to bind and are easier to control.
6. Check for misalignment or binding of moving parts, breakage of parts, and any other condition that may affect the tool's operation. If damaged, have the tool serviced before using .Many accidents are caused by poorly maintained tools.
7. Use only accessories that are supplied with your model. Other accessories that may not be suitable for this tool and may create a risk of injury when used.

#### Recommended and Proper Use

Both power tools are intended for domestic and light commercial use only. Any other application is considered misuse. This power product is supplied without batteries or charger. This power tool should only be operated combined with the recommended by the manufacturer genuine Bormann battery and charger.

#### Device-specific safety instructions

1. Hold tool by insulated gripping surfaces when performing an operation where the cutting tool may contact hidden wiring .Contact with a "live" wire will also make exposed metal parts of the tool "live" and shock the operator.
2. Keep hands clear of moving parts .
3. Do not touch moving parts, Allow the power tool accessories (bit and blades etc.)to cool before touching them .They can become extremely hot during use and can burn your skin.
4. Always wear protective safety glasses when operating power tools. Wear a face mask when environment is dusty.

## Description of main parts (Hammer Drill)

- |   |                            |
|---|----------------------------|
| 1. Keyless chuck                          | 4. Lithium battery         |
| 2. Variable speed trigger switch (ON/OFF) | 5. Hand Grip               |
| 3. Forward / Reverse selector             | 6. 2 Speed Selector Switch |

## Operating Instructions (Hammer Drill)

#### Installing And Removing Bits

Note: This is equipped with an electric brake.

The drill is fitted with a keyless chuck, this means that a chuck key is not required to secure the drill or screwdriver bit.

1. Place drill bit shaft into the chuck as far as possible.
2. Tighten the chuck firmly.

Note: Short screwdriver bits need only to be inserted to the depth off the hexagon shaft before tightening the chuck by hand.



### Rotational Drive Selection

The forward/reverse drive selector switch determines the direction of rotation of drive (clockwise or anticlockwise).

To select the direction of rotation:

Stop machine and push the switch to the left or right.

When the direction switch is pushed to the left, the chuck will rotate clockwise.

When the switch is pushed to the right, the drive rotate anti-clockwise.

Before operation, check that the switch is set the required position. Do not change the direction of rotation until the driver comes to a complete stop.

When the driver is not in use move the switch to neutral (middle position) in order to lock the trigger.

Note: Failure to use the neutral position may activate the trigger inadvertently. This inadvertent operation may damage the power tool.

### Variable Speed Trigger

When the trigger is depressed the drive will rotate (provided the direction switch is set in the forward or reverse position).

This trigger switch is electronic which enables the user to vary the speed continuously.

The speed varies according to how far the trigger switch is depressed.

The further it is depressed, the faster the drive spindle will rotate.

The lighter it depressed, the slower it will rotate.

### Torque Selection Control

By turning the collar it is possible to adjust the amount torque.

The available settings provide a facility for setting the torque to the required level. For example, this means that repetitive driving screws of the same size will be driven into the material to the same torque, thus giving the same fixing strength, or in the case of countersunk screws, these will all be driven to the same depth in the material.

The torque control prevents the heads of small diameter screws being twisted off when correctly set.

To turn on the drilling function select the drill icon and the hammer icon to turn on the impact function.

### Two speed gear box

Select a low gear 1 (slower rotational speed and higher torque) for screwdriving.

Use a high gear 2 (faster rotational speed and lower torque) for drilling holes.

## Description of main parts (Impact screwdriver)

- |   |                    |
|---|--------------------|
| 1. 1/4" Hex. quick release collet         | 4. Lithium battery |
| 2. Variable speed trigger switch (ON/OFF) | 5. Hand Grip       |
| 3. Forward / Reverse selector             |                    |

## Operating Instructions (Impact screwdriver)

### Rotational Drive Selection

The forward/reverse drive selector switch determines the direction of rotation of drive (clockwise or anticlockwise).

To select the direction of rotation:

Stop machine and push the switch to the left or right.

When the direction switch is pushed to the left, the chuck will rotate clockwise.

When the switch is pushed to the right, the drive rotate anti-clockwise.

Before operation, check that the switch is set the required position. Do not change the direction of rotation until the driver comes to a complete stop.

When the driver is not in use move the switch to neutral (middle position) in order to lock the trigger.

Note: Failure to use the neutral position may activate the trigger inadvertently. This inadvertent operation may damage the power tool.

### Variable Speed Trigger

When the trigger is depressed the drive will rotate (provided the direction switch is set in the forward or reverse position).

This trigger switch is electronic which enables the user to vary the speed continuously.

The speed varies according to how far the trigger switch is depressed.

The further it is depressed, the faster the drive spindle will rotate.

The lighter it depressed, the slower it will rotate.

### Installing And Removing Bits

This driver is supplied with a 1/4" female hex.

1. Pull and hold the quick release collet backwards to insert and to release the bit.
2. This product is equipped with an electric brake. Never use bits or accessories that are not hardened for impact use.

## Safety instructions (Charger and battery)

Warning: Use only the original charger to charge the batteries supplied by the manufacturer. Only batteries and chargers designed by Bormann can be used in conjunction with this product.

The use of any other types of batteries / chargers in combination with this product is considered abuse and will void the warranty.

Once connected to the power supply, the battery can be recharged without the need for monitoring. The complex construction of the circuit monitors the condition of the battery by adjusting the recharge current to match the requirements. When the recharge cycle is complete and to maintain full capacity, a low-voltage output current will continue to be powered as needed.



**Warning!**

- Check the status of the charger and battery before each charge. If there is any indication of a fault then do not continue, seek advice from an authorized vendor.

**Battery pack efficiency and charging advice**

Recharge the battery packs before they become completely exhausted

When you feel that the power of the tool becomes weaker, stop using the tool and recharge the battery packs. If you continue to use the tool and exhaust the electric current, the battery pack may become damaged.

Avoid recharging at high temperatures. A rechargeable battery pack will be hot immediately after use. If such a battery pack is recharged immediately after use, its internal chemical substance will deteriorate, and the battery life will be shortened. Leave the battery pack and recharge it after it has cooled for a while. The battery pack should only be used and/or charged when battery pack temperature is between 5°C and 30°C.

The battery pack needs to be warmed-up or cooled down in order to prevent damage to the batteries internal components.

Note: Failure to warm up or cool down a battery pack could result in serious damage to the battery, charger and user.

## Maintenance and Troubleshooting

### Maintenance

Regular inspection and cleaning reduces the necessity for maintenance operations and will keep your tool in good working condition. The motor must be correctly ventilated during tool operation. Avoid blocking the air inlets and vacuum the ventilation slots regularly.

WARNING: Always remove the rechargeable battery from the device before all work.

- Replace all damaged or worn parts to ensure the power tool is always ready for safe operation.
- Clean ventilation slots and openings with a brush.
- DO NOT use any solvents or cleaning agents containing chemicals which could damage the plastic parts. Wipe the housing clean with a cloth.
- Always store the leaf blower in a dry, frost-free location beyond the reach of children.
- Store and charge your rechargeable batteries at a cool location. Temperatures above or below normal room temperature shorten the lifespan of the rechargeable batteries.
- Do not store rechargeable batteries when discharged. Wait until the rechargeable battery has cooled down and charge it completely.
- Rechargeable batteries gradually lose their charge. The higher the temperature, the quicker they lose their charge. For longer storage periods, recharge the rechargeable battery every one or two months. This will extend the lifespan of the rechargeable battery.

Troubleshooting		
Problem	Possible Cause	Remedy
Unit does not start	Battery not installed properly	Check battery installation
	The battery is not charged	Check battery charging requirements
The battery will not charge	The battery is not inserted to the charger	Connect the battery to the charger
	The charger is not connected to the socket	Connect the charger into a working outlet. Check current at receptacle by plugging in a lamp or other appliance Check whether receptacle is connected to a light switch which turns power off when you turn out the lights
	The air temperature is too high or too low	Attempt to charge the battery in a room where the surrounding air temperature is above 4,5 °C or below + 40,5 °C

Important: Please note, all repairs/service should be carried out by a qualified person.

## Handling and Storage

Care must be taken when handling this product.

Dropping this power tool could have an effect on its accuracy and could also result in personal injury. This product is not a toy and must be respected.

Environmental conditions can have a detrimental effect on this product if neglected.

Exposure to damp air can gradually corrode components.

If the product is unprotected from dust and debris, components will become clogged.

If not cleaned and maintained correctly or regularly the machine will not perform at its best.

## Disposal

At the end of the machine's working life or when it can no longer be repaired, ensure that it is disposed of according to national regulations.

— Contact your local authority for details of collection schemes in your area.

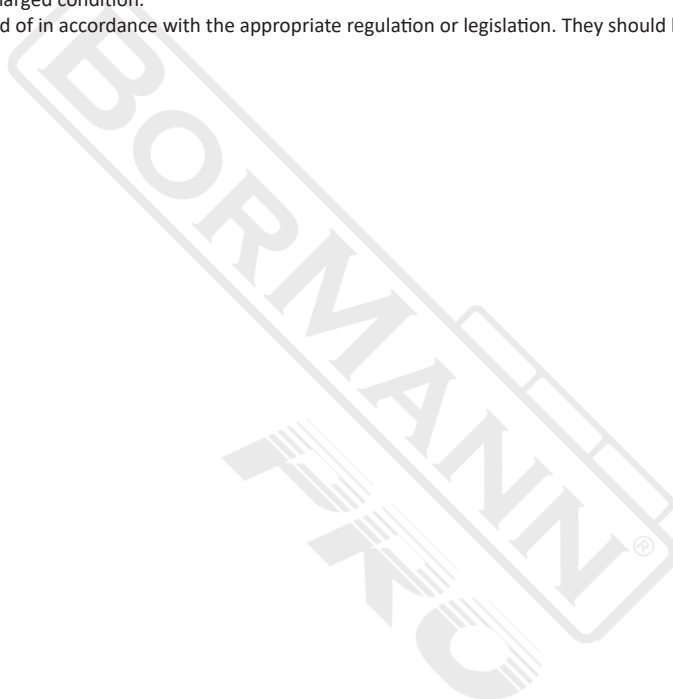
In all circumstances:

- DO not dispose Of power tools with domestic waste.
- DO not incinerate.
- Do not dispose of as unsorted municipal waste.

Warning!

- Do not put battery pack in fire or mutilate; cells may burst or release toxic materials.
- Do not short circuit cells, may cause burns.
- The battery pack must be removed from the appliance before it is scrapped.
- The battery pack is to be disposed of safely.
- Do not mutilate batteries; corrosive electrolyte will be released.
- Do not dispose of batteries or cells in a charged condition.

Expired batteries must be recycled/disposed of in accordance with the appropriate regulation or legislation. They should be returned to your local warranty agent/stockist.



## Οδηγίες ασφαλείας



### ΠΡΟΕΙΔΟΠΟΙΗΣΗ! ΔΙΑΒΑΣΤΕ ΚΑΙ ΚΑΤΑΝΟΗΣΤΕ ΟΛΕΣ ΤΙΣ ΟΔΗΓΙΕΣ.

Εάν δεν ακολουθήσετε όλες τις παρακάτω οδηγίες, μπορεί να προκληθεί ηλεκτροπληξία, πυρκαγιά και / ή σοβαρός τραυματισμός.

#### Χώρος εργασίας

- Κρατήστε το χώρο εργασίας σας καθαρό και με καλό φωτισμό. Οι ακατάστατοι ή σκοτεινοί χώροι μπορεί να προκαλέσουν τραυματισμούς.
- Μην λειτουργείτε τα ηλεκτρικά εργαλεία σε εκρηκτικές ατμόσφαιρες, όπως σε χώρους με εύφλεκτα υλικά, αέρια ή σκόνες. Τα ηλεκτρικά εργαλεία μπορεί να προκαλέσουν σπίθες και να προκαλέσουν φωτιά.
- Κρατήστε παιδιά και άλλα άτομα μακριά ενώ λειτουργείτε το εργαλείο αυτό. Οι περισπασμοί μπορεί να σας κάνουν να χάσετε τον έλεγχο.

#### Ηλεκτρική ασφάλεια

Ένα εργαλείο που λειτουργεί με μπαταρία με ενσωματωμένες μπαταρίες ή ξεχωριστή μπαταρία πρέπει να επαναφορτίζεται μόνο με τον καθορισμένο φορτιστή μπαταρίας. Ένας φορτιστής που μπορεί να είναι κατάλληλος για έναν τύπο μπαταρίας μπορεί να δημιουργήσει κίνδυνο πυρκαγιάς όταν χρησιμοποιείται με άλλη μπαταρία.

#### Προσωπική ασφάλεια

- Δώστε προσοχή στην εργασία σας και χρησιμοποιήστε κοινή λογική όταν χρησιμοποιείτε ηλεκτρικά εργαλεία. Μη χρησιμοποιείτε το εργαλείο όταν είστε κουρασμένοι ή βρίσκεστε κάτω από την επίρροια ουσιών, αλκοόλ ή φαρμάκων. Μια στιγμή απροσεξίας κατά την λειτουργία μπορεί να προκαλέσει σοβαρό τραυματισμό.
- Χρησιμοποιήστε προσωπικά είδη προστασίας. Φοράτε πάντα γυαλιά προστασίας. Εξαρτήματα προστασίας όπως μάσκα σκόνης, υποδήματα προστασίας, κράνος ή ωτοασπίδες τα οποία χρησιμοποιούνται σε κατάλληλες συνθήκες μειώνουν τον κίνδυνο τραυματισμού.
- Αποφύγετε την κατά λάθος εκκίνηση. Σιγουρευτείτε ότι ο διακόπτης είναι στην θέση Off πριν να συνδέσετε το εργαλείο στην πρίζα και πριν να σηκώσετε ή μεταφέρετε το εργαλείο. Η μεταφορά του εργαλείου με το δάχτυλο στο διακόπτη μπορεί να προκαλέσει ατυχήματα.
- Αφαιρέστε όλα τα κλειδιά ρύθμισης από το εργαλείο πριν να το λειτουργήσετε. Ένα κλειδί μπορεί να εκτοξευτεί και να προκαλέσει σοβαρό τραυματισμό.
- Μην τεντώνετε. Κρατήστε σταθερό πάτημα και ισορροπία κάθε στιγμή. Αυτό σας επιτρέπει να έχετε καλύτερο έλεγχο του εργαλείου σας ανά πάσα στιγμή.
- Ντυθείτε κατάλληλα. Μη φοράτε φαρδιά ρούχα και κοσμήματα. Κρατήστε τα μαλλιά, τα ρούχα και τα γάντια σας μακριά από τα κινούμενα μέρη του εργαλείου. Τα φαρδιά ρούχα, τα κοσμήματα και τα μακριά μαλλιά μπορεί να πιαστούν στα κινούμενα μέρη του εργαλείου.

#### Χρήση και συντήρηση εργαλείου

- Μην υπερφορτώνετε το εργαλείο. Χρησιμοποιήστε το κατάλληλο εργαλείο για την κατάλληλη εργασία. Το σωστό εργαλείο θα κάνει την εργασία πιο αποδοτικά και με μεγαλύτερη ασφάλεια στο ρυθμό για το οποίο σχεδιάστηκε.
- Μη χρησιμοποιείτε το εργαλείο εάν ο διακόπτης δεν λειτουργεί. Οποιοδήποτε εργαλείο που δεν μπορεί να ελεγχθεί είναι επικίνδυνο και πρέπει να επισκευαστεί.
- Αποσυνδέστε το εργαλείο από την πρίζα πριν πραγματοποιήσετε ρυθμίσεις, αλλαγή εξαρτημάτων και πριν την αποθήκευση. Με τον τρόπο αυτό μειώνετε τον κίνδυνο της κατά λάθος (ακούσιας) εκκίνησης.
- Αποθηκεύστε τα εργαλεία μακριά από παιδιά και μην επιτρέπετε σε άτομα που δεν γνωρίζουν τις οδηγίες αυτές να το λειτουργήσουν. Τα ηλεκτρικά εργαλεία είναι επικίνδυνα στα χέρια ατόμων που δεν έχουν την κατάλληλη γνώση.
- Συντηρήστε τα ηλεκτρικά εργαλεία. Ελέγξτε για προβλήματα στα κινούμενα μέρη, σπασμένα ανταλλακτικά και για όποια άλλη κατάσταση μπορεί να επηρεάσει τον τρόπο λειτουργίας του εργαλείου. Εάν το εργαλείο είναι χαλασμένο θα πρέπει να δοθεί σε εξουσιοδοτημένο σέρβις για επισκευή. Πολλά ατυχήματα μπορεί να προκύψουν από ένα ανεπαρκώς συντηρημένο εργαλείο.
- Κρατήστε το εξάρτημα κοπής αιχμηρό (αφορά σε εργαλεία διάτρησης/κοπής). Το εξάρτημα κοπής που είναι αιχμηρό είναι πιο απίθανο να μπλοκάρει και πιο εύκολο να ελεγχθεί.
- Χρησιμοποιήστε τα εργαλεία, τα εξαρτήματα και τα ανταλλακτικά σύμφωνα με τις οδηγίες αυτές λαμβάνοντας υπόψη τις συνθήκες εργασίας και την εργασία που θέλετε να εκτελέσετε. Η χρήση του εργαλείου για διαφορετικές λειτουργίες από αυτές για τις οποίες έχει σχεδιαστεί μπορεί να προκαλέσει επικίνδυνες καταστάσεις.

#### Κατάλληλη και προβλεπόμενη χρήση

Τα εργαλεία μπαταρίας προορίζονται για οικιακή και ερασιτεχνική χρήση. Οποιαδήποτε άλλη εφαρμογή θεωρείται μη-προβλεπόμενη/ακατάλληλη χρήση. Αυτό το προϊόν ισχύος παρέχεται χωρίς μπαταρίες ή φορτιστή. Αυτό το εργαλείο πρέπει να λειτουργεί μόνο σε συνδυασμό με την αυθεντική μπαταρία Borlmann και τον φορτιστή που συνιστά ο κατασκευαστής.

#### Ειδικές οδηγίες ασφαλείας

1. Κρατήστε το εργαλείο από τις μονωμένες επιφάνειες συγκράτησης κατά την εκτέλεση εργασιών σε σημεία όπου το εργαλείο διάτρησης/σύσφιξης μπορεί να έρθει σε επαφή με κρυφή, ενεργή καλωδίωση. Η επαφή με ένα "ενεργό" καλώδιο θα κάνει επίσης τα εκτεθειμένα μεταλλικά μέρη του εργαλείου "ενεργά" και θα προκαλέσει ηλεκτροπληξία στον χειριστή.
2. Κρατήστε τα χέρια σας σε ασφαλή απόσταση από τα κινούμενα μέρη.
3. Μην αγγίζετε τα κινούμενα μέρη. Αφήστε τα εξαρτήματα του ηλεκτρικού εργαλείου (μύτες, τρυπάνια κ.λπ.) να κρυσώσουν πριν τα αγγίξετε. Τα εξαρτήματα αποκτούν υψηλή θερμοκρασία κατά την διάρκεια λειτουργίας τους και μπορούν να προκαλέσουν εγκαύματα στο δέρμα σας.
4. Να φοράτε πάντα ειδικά γυαλιά προστασίας όταν χειρίζεστε ηλεκτρικά εργαλεία. Φορέστε μάσκα προστασίας από την σκόνη όταν κατά την διάρκεια της εργασίας δημιουργείται σκόνη.

## Περιγραφή βασικών τμημάτων και εξαρτημάτων (Κρουστικό δραπενοκατσάβιδο)

- |   |                             |
|---|-----------------------------|
| 1. Αυτόματο τσόκ                                | 4. Μπαταρία λιθίου          |
| 2. Σκανδάλη On/Off ελέγχου μεταβλητής ταχύτητας | 5. Αντιολισθητική χειρολαβή |
| 3. Επιλογέας κατεύθυνσης περιστροφής            | 6. Επιλογέας ταχυτήτων      |

## Οδηγίες λειτουργίας (Κρουστικό δραπενοκατσάβιδο)

### Σύνδεση παρελκομένων εξαρτημάτων στο τσόκ

Το εργαλείο αυτό είναι εξοπλισμένο με ηλεκτρικό φρένο.

Το τρυπάνι είναι εφοδιασμένο με ένα αυτόματο τσόκ, αυτό σημαίνει ότι δεν απαιτείται ένα κλειδί για τσόκ για τη στερέωση του τρυπανιού ή της μύτες βιδώματος.

1. Τοποθετήστε πλήρως το στέλεχος του τρυπανιού στο τσόκ.
2. Σφίξτε καλά το τσόκ.

Σημείωση: Οι μικρές μύτες πρέπει να τοποθετηθούν πρώτα στον αντάπτορα βιδώματος πριν σφίξετε το τσόκ.

### Επιλογέας κατεύθυνσης περιστροφής

Ο επιλογέας καθορίζει την κατεύθυνση περιστροφής (δεξιόστροφα ή αριστερόστροφα).

Για να επιλέξετε την κατεύθυνση περιστροφής:

Σταματήστε το εργαλείο και σπρώξτε τον επιλογέα προς τα αριστερά ή προς τα δεξιά.

Όταν ο επιλογέας ωθηθεί προς τα αριστερά, ο τσόκ θα περιστραφεί δεξιόστροφα.

Όταν ο επιλογέας πιέζεται προς τα δεξιά, το τσόκ περιστρέφεται αριστερόστροφα.

Πριν από τη λειτουργία, ελέγξτε ότι ο επιλογέας είναι ρυθμισμένος στην επιθυμητή θέση. Μην αλλάζετε την κατεύθυνση περιστροφής μέχρι ο οδηγός να σταματήσει τελείως.

Όταν το εργαλείο δεν χρησιμοποιείται, μετακινήστε τον επιλογέα στην θέση ασφαλείας (μεσαία θέση) για να κλειδώσετε τη σκανδάλη.

Σημείωση: Η μη χρήση της ουδέτερης θέσης μπορεί να ενεργοποιήσει ακούσια τη σκανδάλη. Αυτή η ακούσια λειτουργία μπορεί να προκαλέσει βλάβη στο ηλεκτρικό εργαλείο.

### Σκανδάλη On/Off μεταβλητής ταχύτητας

Όταν πιεστεί η σκανδάλη, ο κινητήρας θα περιστραφεί (με την προϋπόθεση ότι ο επιλογέας έχει ρυθμιστεί σε μία από τις δύο κατευθύνσεις).

Η ηλεκτρονική σκανδάλη του εργαλείου επιτρέπει στον χρήστη να ελέγχει πλήρως την ταχύτητα περιστροφής.

Η ταχύτητα μεταβάλλεται ανάλογα με το βαθμό στον οποίο είναι πατημένη η σκανδάλη.

Όσο περισσότερο πιέζεται, τόσο πιο γρήγορα περιστρέφεται το τσόκ.

### Δακτύλιος ρύθμισης της ροπής

Με την βοήθεια του δακτυλίου (κολάρο) ρύθμισης της ροπής είναι δυνατή η ρύθμιση της ροπής στρέψης.

Οι διαθέσιμες ρυθμίσεις παρέχουν μια δυνατότητα ρύθμισης της ροπής στο απαιτούμενο επίπεδο. Για παράδειγμα, αυτό σημαίνει ότι οι

επαναλαμβανόμενες βίδες του ίδιου μεγέθους θα οδηγούνται μέσα στο υλικό με την ίδια ροπή στρέψης, δίνοντας έτσι την ίδια δύναμη στερέωσης, ή στην περίπτωση των βιδών που έχουν βυθιστεί, αυτές όλες θα οδηγηθούν στο ίδιο βάθος στο υλικό.

Ο έλεγχος ροπής εμποδίζει τις κεφαλές των βιδών μικρής διαμέτρου να στρεβλωθούν όταν έχει γίνει σωστή ρύθμιση.

Για να ενεργοποιήσετε την λειτουργία διάτρησης γυρίστε το κολάρο στην θέση που συμβολίζεται με ένα τρυπάνι, κατά τον ίδιο τρόπο μπορείτε να ενεργοποιήσετε την λειτουργία κρούσης, γυρίζοντας το κολάρο στην θέση που συμβολίζεται με ένα σφυρί.

### Κιβώτιο ταχυτήτων με δύο ταχύτητες

Επιλέξτε χαμηλή ταχύτητα 1 (μικρότερη ταχύτητα περιστροφής και μεγαλύτερη ροπή στρέψης).

Χρησιμοποιήστε την μεγαλύτερη ταχύτητα 2 (ταχύτερη περιστροφική ταχύτητα και χαμηλότερη ροπή στρέψης) για εργασίες διάτρησης.

## Περιγραφή βασικών τμημάτων και εξαρτημάτων (Παλμικό κατσαβίδι)

- |   |                             |
|---|-----------------------------|
| 1. Εξαγ. υποδοχή σύνδεσης 1/4                   | 4. Μπαταρία λιθίου          |
| 2. Σκανδάλη On/Off ελέγχου μεταβλητής ταχύτητας | 5. Αντιολισθητική χειρολαβή |
| 3. Επιλογέας κατεύθυνσης περιστροφής            |                             |

## Οδηγίες λειτουργίας (Παλμικό κατσαβίδι)

### Επιλογέας κατεύθυνσης περιστροφής

Ο επιλογέας καθορίζει την κατεύθυνση περιστροφής (δεξιόστροφα ή αριστερόστροφα).

Για να επιλέξετε την κατεύθυνση περιστροφής:

Σταματήστε το εργαλείο και σπρώξτε τον επιλογέα προς τα αριστερά ή προς τα δεξιά.

Όταν ο επιλογέας ωθηθεί προς τα αριστερά, ο τσόκ θα περιστραφεί δεξιόστροφα.

Όταν ο επιλογέας πιέζεται προς τα δεξιά, το τσόκ περιστρέφεται αριστερόστροφα.

Πριν από τη λειτουργία, ελέγξτε ότι ο επιλογέας είναι ρυθμισμένος στην επιθυμητή θέση. Μην αλλάζετε την κατεύθυνση περιστροφής μέχρι ο οδηγός να σταματήσει τελείως.

Όταν το εργαλείο δεν χρησιμοποιείται, μετακινήστε τον επιλογέα στην θέση ασφαλείας (μεσαία θέση) για να κλειδώσετε τη σκανδάλη.

Σημείωση: Η μη χρήση της ουδέτερης θέσης μπορεί να ενεργοποιήσει ακούσια τη σκανδάλη. Αυτή η ακούσια λειτουργία μπορεί να προκαλέσει βλάβη στο ηλεκτρικό εργαλείο.



### Σκανδάλη On/Off μεταβλητής ταχύτητας

Όταν πιεσθεί η σκανδάλη, ο κινητήρας θα περιστραφεί (με την προϋπόθεση ότι ο επιλογέας έχει ρυθμιστεί σε μία από τις δύο κατευθύνσεις). Η ηλεκτρονική σκανδάλη του εργαλείου επιτρέπει στον χρήστη να ελέγχει πλήρως την ταχύτητα περιστροφής. Η ταχύτητα μεταβάλλεται ανάλογα με το βαθμό στον οποίο είναι πατημένη η σκανδάλη. Όσο περισσότερο πιέζεται, τόσο πιο γρήγορα περιστρέφεται το τσόκ.

### Σύνδεση παρελκομένων εξαρτημάτων στο τσόκ

Το εργαλείο αυτό διαθέτει μια εξαγωνική υποδοχή σύνδεσης 1/4".

1. Τραβήξτε προς τα πίσω το κάλυμμα του ταχυτσόκ για να τοποθετήσετε ή να αφαιρέσετε το εξάρτημα βιδώματος.
2. Το εργαλείο είναι εξοπλισμένο με ηλεκτρικό φρένο. Ποτέ μην χρησιμοποιείτε μύτες βιδώματος ή άλλα παρελκόμενα αξεσουάρ που δεν έχουν υποστεί κάποια επεξεργασία σκλήρυνσης ώστε να είναι κατάλληλα για χρήση σε συνδυασμό με παλμικά εργαλεία.

### Οδηγίες ασφαλείας (Φορτιστής και μπαταρία)

Προειδοποίηση: Χρησιμοποιήστε μόνο τον γνήσιο φορτιστή, για τη φόρτιση των μπαταριών που παρέχονται από τον κατασκευαστή. Μόνο οι μπαταρίες και φορτιστές που έχουν σχεδιαστεί από τη Bormann μπορούν να χρησιμοποιηθούν σε συνδυασμό με αυτό το προϊόν.

Η χρήση οποιωνδήποτε άλλων τύπων μπαταριών / φορτιστών σε συνδυασμό με αυτό το προϊόν θεωρείται κατάχρηση και θα ακυρώσει την εγγύηση.

Μόλις συνδεθεί στην παροχή ρεύματος, η επαναφόρτιση της μπαταρίας μπορεί να γίνεται χωρίς να απαιτείται επιτήρηση. Η πολυσύνθετη κατασκευή του κυκλώματος παρακολουθεί την κατάσταση της μπαταρίας προσαρμόζοντας το ρεύμα επαναφόρτισης ώστε να ταυριάζει με τις εκάστοτε απαιτήσεις. Όταν ολοκληρωθεί ο κύκλος επαναφόρτισης και για να διατηρηθεί η πλήρης χωρητικότητα, ένα χαμηλής τάσης ρεύμα εξόδου θα συνεχιστεί να τροφοδοτείται όπως απαιτείται.

#### Προειδοποίηση!

- Ελέγξτε την κατάσταση του φορτιστή και της μπαταρίας πριν από κάθε φόρτιση. Εάν υπάρχει κάποια ένδειξη βλάβης τότε μην συνεχίσετε, ζητήστε συμβουλές από έναν εξουσιοδοτημένο προμηθευτή.

#### Διατήρηση της μέγιστης απόδοσης των μπαταριών και συμβουλές ορθής χρήσης

Επαναφορτίστε τις μπαταρίες πάντοτε πριν εξαντληθούν τελείως τα αποθέματα ρεύματος.

Όταν αισθάνεστε ότι η ισχύς του εργαλείου γίνεται ασθενέστερη, σταματήστε να χρησιμοποιείτε το εργαλείο και επαναφορτίστε τις μπαταρίες. Εάν συνεχίσετε να χρησιμοποιείτε το εργαλείο εξαντλώντας πλήρως τα αποθέματα, η μπαταρία μπορεί να υποστεί μόνιμη βλάβη.

Αποφύγετε την επαναφόρτιση σε υψηλές θερμοκρασίες. Μια επαναφορτιζόμενη μπαταρία θα ζεσταθεί αμέσως μετά τη χρήση. Αν μια τέτοια μπαταρία επαναφορτίζεται αμέσως μετά τη χρήση, οι χημικές ουσίες που βρίσκονται στο εσωτερικό της θα υποβαθμιστεί και η διάρκεια ζωής της μπαταρίας θα μειωθεί. Αφήστε τη μπαταρία και επαναφορτίστε τη συσκευή αφού κρυώσει για λίγο.

Η μπαταρία πρέπει να χρησιμοποιείται και / ή να φορτίζεται μόνο όταν η θερμοκρασία της μπαταρίας βρίσκεται μεταξύ των 5°C και των 30°C.

Η μπαταρία πρέπει να θερμανθεί ή να κρυώσει, για να αποφευχθεί η ζημιά στα εσωτερικά εξαρτήματα των μπαταριών.

Σημείωση: Η αδυναμία χρήσης εντός των ορίων της κατάλληλης θερμοκρασίας μπορεί να προκαλέσει σοβαρή βλάβη στην μπαταρία, το φορτιστή και τραυματισμό του χειριστή.

### Συντήρηση και επίλυση προβλημάτων

#### Συντήρηση

Η τακτική συντήρηση και ο καθαρισμός μειώνουν την ανάγκη για εργασίες συντήρησης και θα κρατήσουν το εργαλείο σας σε καλή λειτουργική κατάσταση.

Ο κινητήρας πρέπει να ψύχεται επαρκώς κατά την διάρκεια λειτουργίας του εργαλείου. Καθαρίστε τις επιφάνειες γύρω από τις θυρίδες ψύξης-εξαερισμού.

ΠΡΟΕΙΔΟΠΟΙΗΣΗ: Αφαιρείτε πάντα την επαναφορτιζόμενη μπαταρία από το εργαλείο πριν από οποιαδήποτε εργασία συντήρησης.

- Αντικαταστήστε όλα τα φθαρμένα ή χαλασμένα εξαρτήματα για να βεβαιωθείτε ότι το ηλεκτρικό εργαλείο είναι πάντα έτοιμο για ασφαλή λειτουργία.
- Καθαρίστε τις υποδοχές εξαερισμού και τα ανοίγματα με μια μαλακή βούρτσα.
- ΜΗΝ χρησιμοποιείτε διαλύτες ή καθαριστικά που περιέχουν χημικές ουσίες που θα μπορούσαν να αλλοιώσουν τα πλαστικά μέρη. Σκουπίστε τις εξωτερικές επιφάνειες με ένα καθαρό πανί.
- Φυλάσσετε πάντα το εργαλείο σε ένα χώρο απαλλαγμένο από την υγρασία μη προσβάσιμο για τα παιδιά.
- Αποθηκεύστε και φορτίστε τις επαναφορτιζόμενες μπαταρίες σας σε δροσερό σημείο. Θερμοκρασίες υψηλότερες ή χαμηλότερες από την κανονική θερμοκρασία δωματίου μειώνουν τη διάρκεια ζωής των επαναφορτιζόμενων μπαταριών.
- Μην αποθηκεύετε επαναφορτιζόμενες μπαταρίες όταν έχουν αποφορτιστεί. Περιμένετε μέχρι να κρυώσει η επαναφορτιζόμενη μπαταρία και φορτίστε την εντελώς.
- Οι επαναφορτιζόμενες μπαταρίες χάνουν σταδιακά τη φόρτισή τους. Όσο υψηλότερη είναι η θερμοκρασία, τόσο πιο γρήγορα χάνουν το φορτίο τους. Για μεγαλύτερες περιόδους αποθήκευσης, επαναφορτίστε την επαναφορτιζόμενη μπαταρία κάθε ένα ή δύο μήνες. Αυτό θα επεκτείνει τη διάρκεια ζωής της επαναφορτιζόμενης μπαταρίας.

Επίλυση προβλημάτων		
Πρόβλημα	Πιθανή αιτία	Επίλυση
Το εργαλείο δεν ενεργοποιείται	Η μπαταρία δεν είναι τοποθετημένη σωστά Η μπαταρία δεν είναι φορτισμένη	Βεβαιωθείτε πως η μπαταρία έχει συνδεθεί σωστά στον φορτιστή Ελέγξτε τα χαρακτηριστικά που απαιτούνται για την φόρτιση της μπαταρίας.
Η μπαταρία δεν φορτίζεται	Η μπαταρία δεν έχει συνδεθεί στον φορτιστή	Συνδέστε την μπαταρία στον φορτιστή
	Το βύσμα τροφοδοσίας του φορτιστή δεν είναι συνδεδεμένο στην πρίζα	Συνδέστε το βύσμα τροφοδοσίας του φορτιστή σε μια κατάλληλη πρίζα. Βεβαιωθείτε πως η πρίζα τροφοδοτείται με ρεύμα συνδέοντας μια άλλη συσκευή. Βεβαιωθείτε πως η πρίζα δεν είναι συνδεδεμένη με εξωτερικό διακόπτη του δικτύου.
	Η θερμοκρασία περιβάλλοντος είναι είτε πολύ υψηλή είτε πολύ χαμηλή	Δοκιμάστε να φορτίσετε την μπαταρία σε έναν χώρο όπου η θερμοκρασία περιβάλλοντος είναι άνω των 4,5 οC ή κάτω των + 40,5 οC
Σημείωση: Όλες οι επισκευές/σέρβις θα πρέπει να εκτελούνται από εξειδικευμένο και εξουσιοδοτημένο προσωπικό.		

### Χειρισμός και αποθήκευση

Ο χειρισμός του εργαλείου απαιτεί μεγάλη προσοχή!

Η πτώση αυτού του εργαλείου ηλεκτρικού εργαλείου θα μπορούσε να επηρεάσει την ακρίβειά του και θα μπορούσε επίσης να προκαλέσει τραυματισμό.

Το προϊόν αυτό δεν αποτελεί παιχνίδι και απαιτείται ιδιαίτερη προσοχή!

Οι περιβαλλοντικές συνθήκες μπορεί να έχουν επιζήμια αποτελέσματα σε αυτό το προϊόν εάν παραμεληθούν.

Η έκθεση σε υδρατμούς και υγρασία μπορεί να διαβρώσει βαθμιαία τα εξαρτήματα.

Εάν το προϊόν δεν καθαρίζεται από τη σκόνη και τα υπολείμματα ενδέχεται να δημιουργηθούν προβλήματα λειτουργίας στα εξαρτήματά του.

Αν δεν καθαριστεί και συντηρηθεί σωστά ή τακτικά το εργαλείο δεν θα είναι δυνατή η λειτουργία του με την μέγιστη απόδοση.

### Απόρριψη

Όταν δεν δύναται πλέον να χρησιμοποιηθεί το εργαλείο ή όταν δεν μπορεί πλέον να επισκευαστεί, βεβαιωθείτε ότι έχει απορριφθεί σύμφωνα με τους σχετικούς κανονισμούς.

Επικοινωνήστε με την τοπική αρχή για λεπτομέρειες σχετικά με τα συστήματα συλλογής στην περιοχή σας.

Σε όλες τις περιπτώσεις:

- Μην απορρίπτετε τα ηλεκτρικά εργαλεία με τα οικιακά απορρίμματα.
- Μην καταστρέψετε το εργαλείο και τον εξοπλισμό μέσω καύσης.
- Μην απορρίπτετε τα ΑΗΗΕ ως αστικά απόβλητα χωρίς διαλογή.

### Προειδοποίηση!

- Μην αποσυναρμολογείτε και μην τοποθετείτε τη μπαταρία σε φωτιά. Τα στοιχεία μπορεί να εκραγούν ή να απελευθερώσουν τοξικά απόβλητα.
- Μην βραχυκυκλώνετε τις κυψέλες καθώς μπορεί να προκληθούν εγκαύματα.
- Η μπαταρία πρέπει να αφαιρεθεί από τη συσκευή πριν από την απόρριψη της.
- Η μπαταρία πρέπει να απορριφθεί με ασφάλεια.
- Μην συνθλίβετε ή αποσυναρμολογείτε τις μπαταρίες καθώς ενδέχεται να απελευθερωθεί διαβρωτικός ηλεκτρολύτης.
- Μην απορρίπτετε τις μπαταρίες ή τις κυψέλες σε φορτισμένη κατάσταση.

Οι μπαταρίες που έχουν υποστεί βλάβη πρέπει να ανακυκλωθούν / απορριφθούν σύμφωνα με τον σχετικό κανονισμό ή νομοθεσία. Θα πρέπει να επιστραφούν στον τοπικό αντιπρόσωπο / πωλητή εγγύησης.



DISPOSE OF  
PACKAGING  
RESPONSIBLY



DO NOT DISPOSE  
OF ELECTRICAL GOODS  
IN HOUSEHOLD WASTE