

Parts and Service Availability

Contact your local Doulton® dealer/agent.

Product Warranty

Your filtadapt® housing is covered under warranty for 12 months from the purchase date of the product against any failure due to defect of materials, workmanship or design of the filter housing. Please retain your receipt as proof of purchase.

To register your filtadapt® housing product warranty please visit

www.doulton.com

Complete the Product Registration Form including the serial number (found on the product label located beneath the body sleeve) and the date of installation.

Manufactured by:

Doulton Water Filters, Newcastle, Staffordshire, ST5 9BT, England.

Telephone: +44 (0) 1782 664420

Fax: +44 (0) 1782 664490

Email: filtersales@doulton.com

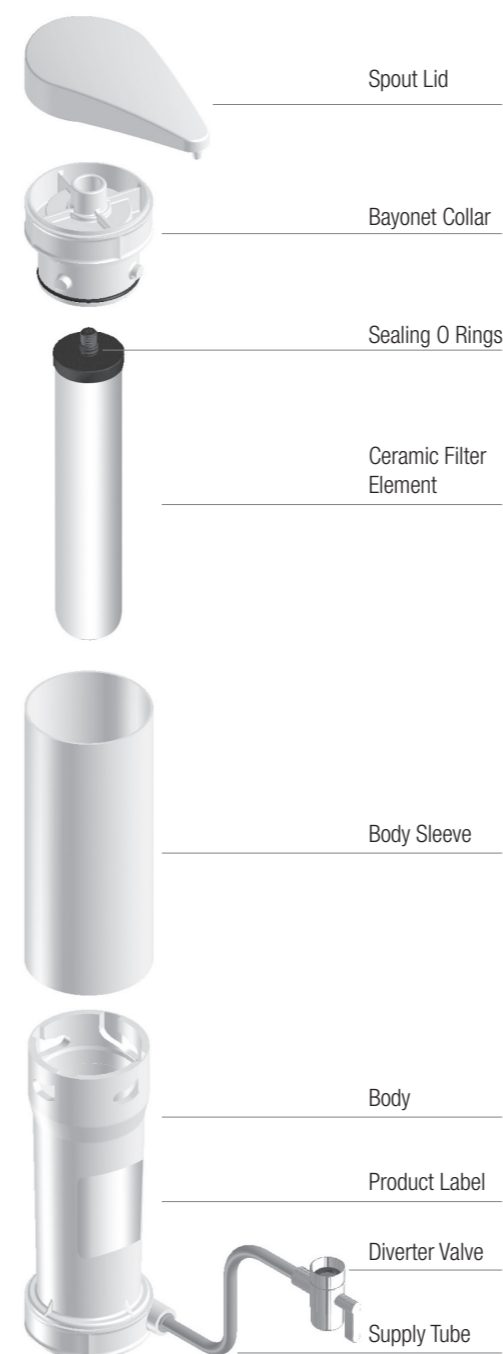
Website: www.doulton.com

Doulton® and filtadapt® are trademarks registered to Fairey Industrial Ceramics Limited.



filtadapt®

Filter Installation Instructions



Depending on the filter element fitted:

System Tested for the reduction of:

- Chlorine (Taste & Odour);
- Particulates, Class 1,
- Turbidity; and
- Cysts (including Giardia and live Cryptosporidium)
- Lead

Systems Certified for Cyst Reduction may be used on disinfected water that may contain filterable Cysts. The substances reduced by this device are not necessarily in your water. Do not use where water is microbiologically unsafe or of unknown quality without adequate disinfection before or after the systems.

Note: It is important that local laws and regulations are observed and that **all types of fittings** comply with such regulations.

N.B. State of Ma. Follow Mass plumbing code. A licensed plumber is required.

Operating Conditions

Maximum Working Pressure: 6bar (90psi)

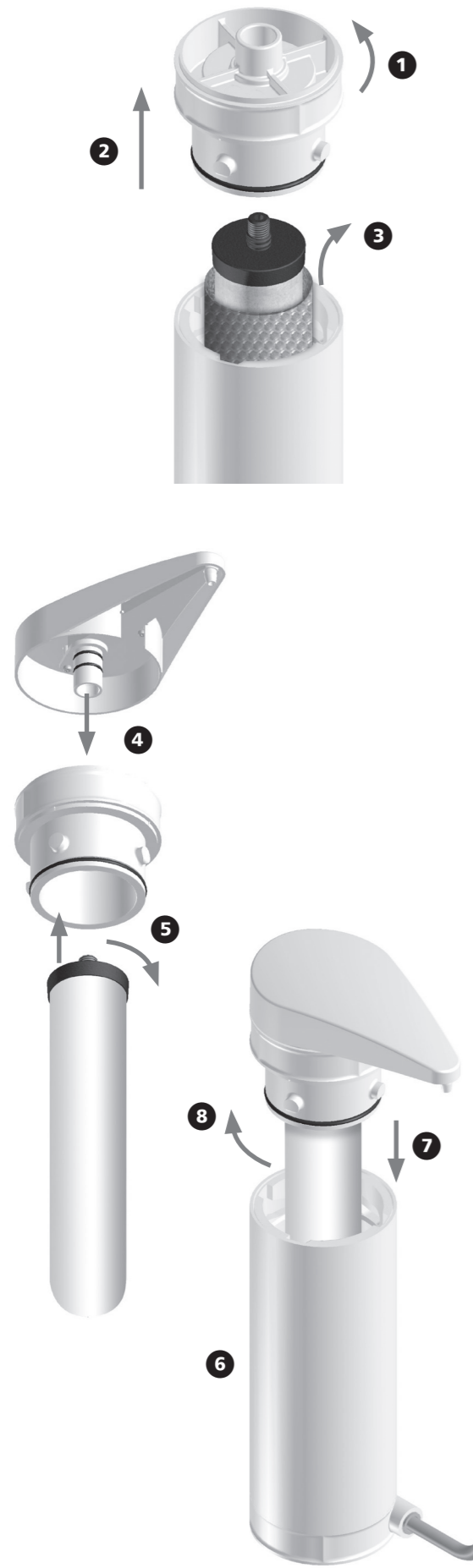
Maximum Working Temperature: 30°C (86°F)

Minimum Operating Pressure: 0.7bar (10psi)

Minimum Operating Temperature: 5°C (41°F)



Figure 1



Installation

Select a position for the Filter

filtadapt® is designed to be free standing on a sink unit or adjacent worktop.

filtadapt® is not designed for the treatment of hot water and should only be connected to the cold water supply.

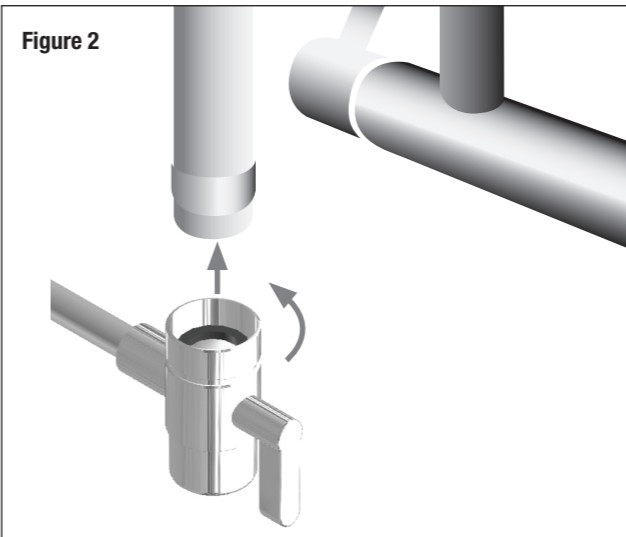
Please note: The filter element is made of ceramic and therefore fragile and can be easily damaged if not handled carefully.

Fit the filter element – Figure 1

Refer to page 1 for identification of parts.

- 1 Grip the bayonet collar firmly at the sides and twist anti-clockwise.
- 2 Lift the bayonet collar from the body. Note that the body sleeve is now loose and can be removed for cleaning.
- 3 Lift the ceramic element out of the body, remove the protective bubble bag and filter element cleaning instructions.
- 4 Ensure O-ring seals are clean and moisten with clean water. Insert the spout lid into the bayonet collar.
- 5 Moisten the O-ring seal(s) of the ceramic filter element with clean water and screw the filter element into the spout lid until resistance is felt. DO NOT over tighten.
- 6 Place the body sleeve over the body.
- 7 Ensure the bayonet collar O-ring seal is clean. Push the filter element and lid assembly into the body, engaging the bayonet lugs into the bayonet slots.
- 8 Grip the white bayonet collar and **twist clockwise fully to its stop position to correctly secure the bayonet lugs.**

Figure 2



Connect the water supply tube – Figure 2

Screw the diverter valve to the cold tap or mixer tap if a male thread is visible. If not use the adapter supplied to convert to the relevant threads. You may need to unscrew the diffuser on the end of the tap.

Prepare the filter element for use

- 1 Open the diverter valve then gradually turn on the mains water to allow the unit to fill **slowly** and ensure all air is flushed out of the filter. Allow the filtered water to run to waste for a minimum of 10 minutes.
- 2 Close the diverter valve and leave to stand for 24 hours to condition the ceramic filter element.
- 3 After 24 hours flush for a further 10 minutes to waste. The filter is now ready for use.

Failure to flush out any trapped air can cause the filter to run on or drip for a short period of time after turning the tap off.

Servicing the Filter Element

It is important to wear rubber gloves or wash your hands thoroughly before and after servicing the filter element.

Removal and replacement – Figure 3

Check that the cold tap is turned off and open the diverter valve. Unscrew the diverter valve from the tap and hold the filter unit over the sink.

- 1 Press the spout lid down firmly to release the housing seal.
- 2 Hold the base with one hand. With the other hand, grip the white bayonet collar firmly at the sides and twist anti-clockwise.
- 3 Lift the bayonet collar from the body. Note that the housing is full of water, which should be emptied into the sink.
- 4 Unscrew the filter element from the bayonet collar assembly. Take care not to contaminate the open ended plastic mount of the filter cap with unfiltered water.

If replacing with a new filter element, only use genuine Doulton® replacement elements to ensure optimum filter performance. Prepare the filter for use as described in the 'Prepare the filter element for use' section above.

Disposal of the Used Filter Element

The used filter element can be wrapped in a plastic bag or newspaper for disposal with your household waste.

Cleaning the filter element – Figure 4

Due to filtration of particulate contaminants from the water during use, the flow of water from the filter may reduce over a period of time. To restore flow to its normal level simply clean the filter element as follows:

- 1 Hold the filter element in a bowl of water or under running water. Ensure that the open ended plastic mount is clear of the water to avoid contamination.
- 2 Take a clean kitchen scouring pad in one hand and cup it around the circumference of the filter element at the top next to the mount.
- 3 Press gently onto the filter element surface with the scouring pad, whilst quickly turning the element with the other hand.
- 4 Apply a gentle even pressure with the pad and slowly work down the length of the filter element once. Ensure that the cleaning is uniform over the whole element, before refitting into the housing.

Cleaning the filtadapt® Housing

Wipe the filtadapt® housing externally with a soft damp cloth and warm soapy water and rinse thoroughly. Avoid the use of:

- Strong oxidising agents such as bleach or Milton solution.
- All strongly acidic materials including some descalants.
- Strongly alkaline materials.

Figure 3

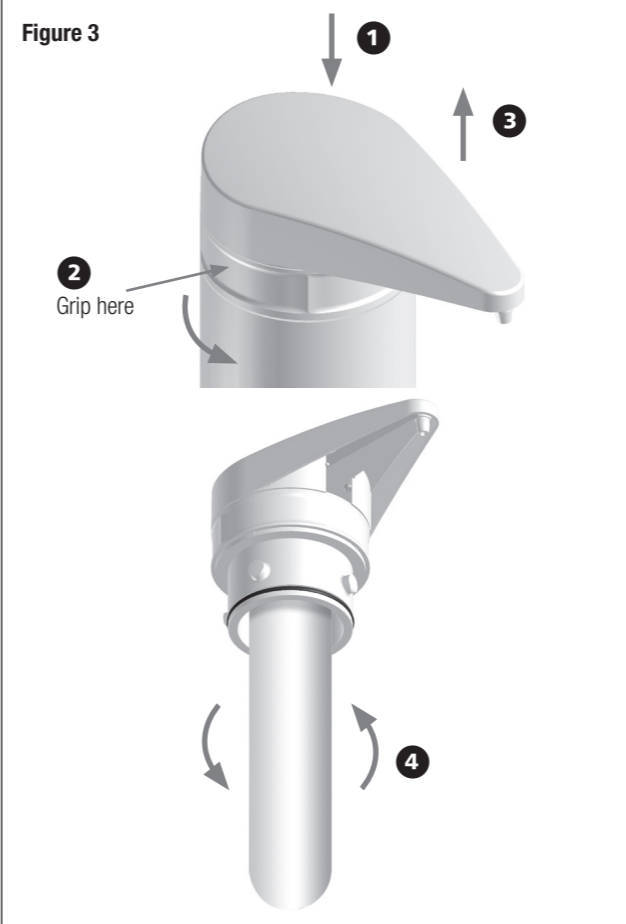


Figure 4

