

BORMANN®



BCD2400 BCD2600

042570

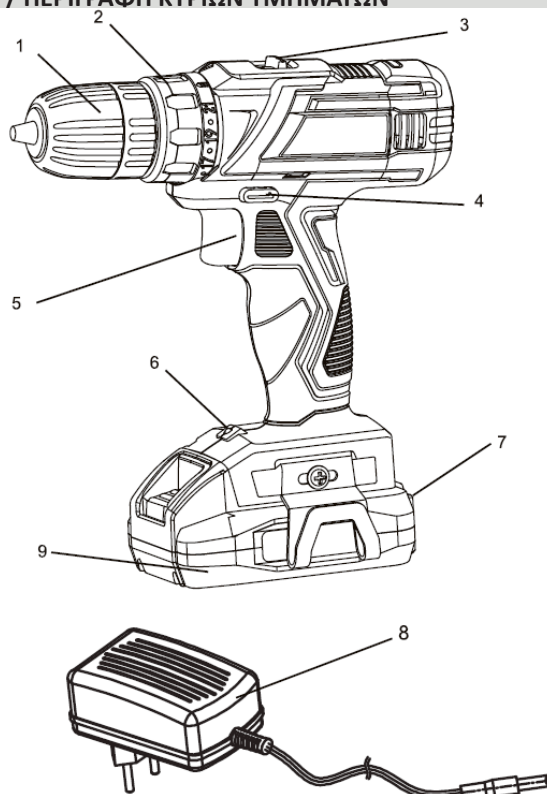
042587



DESCRIPTION OF MAIN PARTS / ΠΕΡΙΓΡΑΦΗ ΚΥΡΙΩΝ ΤΜΗΜΑΤΩΝ

Main Parts

1. 10 mm double sleeve keyless chuck
2. Torque adjustment ring
3. Two speed selector
4. Forward/reverse knob
5. ON/OFF switch trigger
6. LED work light
7. LED battery capacity indicator
8. Charger
9. Battery pack



Κύρια εξαρτήματα

1. Αυτόματο τσοκ διπλού κολλάρου 10 mm
2. Δακτύλιος ρύθμισης ροπής
3. Επιλογέας δύο ταχυτήτων
4. Κομβίο μπρος/πίσω κίνησης
5. Διακόπτης ενεργοποίησης/απενεργοποίησης ON/OFF
6. Φωτισμός εργασίας τύπου LED
7. Ένδειξη κατάστασης φόρτισης μπαταρίας
8. Φορτιστής
9. Μπαταρία

Intended Use

This tool is intended for driving and drilling through wood, metal, plastics and masonry. It has not been designed for professional use.

Technical Data

Model	BCD2400	BCD2600
Rated voltage	D.C. 20 Volt	D.C. 20 Volt
Rotation speed (rpm) -2x*	0-350 / 0-1300	0-350 / 0-1300
Impact rate (bpm)	-	0-5250 / 0-19500
Battery type/ (No)	Li-ion / (1)	Li-ion / (2)
Battery capacity	1500 mAh	1500 mAh
Charger output current	1,5 A	1,5 A
Chuck (keyless)	10 mm	10 mm
Max. Torque (soft/hard)	20/30 Nm	31 Nm
Torque settings	21+1	18+2

* 2 speeds

* The manufacturer reserves the right to make minor changes to product design and technical specifications without prior notice unless these changes significantly affect the performance and safety of the products. The parts described / illustrated in the pages of the manual that you hold in your hands may also concern other models of the manufacturer's product line with similar features and may not be included in the product you just acquired.

* Please note that our equipment has not been designed for use in commercial, trade or industrial applications. Our warranty will be voided if the machine is used in commercial, trade or industrial businesses or for equivalent purposes.

* To ensure the safety and reliability of the product and the warranty validity, all repair, inspection, repair or replacement work, including maintenance and special adjustments, must only be carried out by technicians of the authorized service department of the manufacturer.

* Always use the product with the supplied equipment. Operation of the product with non-provided equipment may cause malfunctions or even serious injury or death. The manufacturer and the importer shall not be liable for injuries and damages resulting from the use of non-conforming equipment.

BCD2400: Cordless drill

BCD2600: Cordless impact drill (BMC CASE)

NOTE: the required batteries Li-ion and charger are included

Σκοπούμενη Χρήση

Αυτό το εργαλείο προορίζεται για βίδωμα και διάτρηση σε ξύλο, μέταλλο, πλαστικό και τοιχοποιία. Δεν έχει σχεδιαστεί για επαγγελματική χρήση.

Τεχνικά Χαρακτηριστικά

Μοντέλο	BCD2400	BCD2600
Ονομαστική τάση	D.C. 20 Volt	D.C. 20 Volt
Περ. ταχύτητα (RPM) -2x*	0-350 / 0-1300	0-350 / 0-1300
Κρούσεις (bpm)	-	0-5250 / 0-19500
Τύπος μπαταρίας / (No)	Li-ion / (1)	Li-ion / (2)
Χωρητικότητα μπαταρίας	1500 mAh	1500 mAh
Ρεύμα εξόδου φορτιστή	1,5 A	1,5 A
Τσοκ (αυτόματο)	10 mm	10 mm
Μέγιστη ροπή	30 Nm	31 Nm
Ρυθμίσεις ροπής	21+1	18+2

* 2 ταχύτητες

* Ο κατασκευαστής διατηρεί το δικαίωμα να πραγματοποιήσει δευτερεύουσες αλλαγές στο σχεδιασμό του προϊόντος και στα τεχνικά χαρακτηριστικά χωρίς προηγούμενη ειδοποίηση, εκτός εάν οι αλλαγές αυτές επηρεάζουν σημαντικά την απόδοση και λειτουργία ασφάλειας των προϊόντων. Τα εξαρτήματα που περιγράφονται / απεικονίζονται στις σελίδες του εγχειριδίου που κρατάτε στα χέρια σας ενδέχεται να αφορούν και σε άλλα μοντέλα της σειράς προϊόντων του κατασκευαστή, με παρόμοια χαρακτηριστικά, και ενδέχεται να μην περιλαμβάνονται στο προϊόν που μόλις αποκτήσατε.

* Λάβετε υπόψη ότι ο εξοπλισμός μας δεν έχει σχεδιαστεί για χρήση σε εμπορικές, επαγγελματικές ή βιομηχανικές εφαρμογές. Η εγγύησή μας θα ακυρωθεί αν το προϊόν χρησιμοποιείται σε εμπορικές, επαγγελματικές ή βιομηχανικές επιχειρήσεις ή για ανάλογους σκοπούς.

* Για να διασφαλιστεί η ασφάλεια και η αξιοπιστία του προϊόντος καθώς και η ισχύς της εγγύησης όλες οι εργασίες επιδιόρθωσης, ελέγχου, επισκευής ή αντικατάστασης συμπεριλαμβανομένης της συντήρησης και των ειδικών ρυθμίσεων, πρέπει να εκτελούνται μόνο από τεχνικούς του εξουσιοδοτημένου τμήματος Service του κατασκευαστή.

* Χρησιμοποιείτε πάντα το προϊόν με τον παρεχόμενο εξοπλισμό. Η λειτουργία του προϊόντος με μη-προβλεπόμενο εξοπλισμό ενδέχεται να προκαλέσει βλάβη ή ακόμα και σοβαρό τραυματισμό ή θάνατο. Ο κατασκευαστής και ο εισαγωγέας ουδεμία ευθύνη φέρει για τραυματισμούς και βλάβες που προκύπτουν από την χρήση μη προβλεπόμενου εξοπλισμού.

BCD2400: Δραπανοκατάρτιδο μπαταρίας

BCD2600: Κρουστικό δραπανοκατάρτιδο μπαταρίας (με βαλίτσα)

ΣΗΜΕΙΩΣΗ: Οι απαιτούμενες μπαταρίες Li-ion και ο φορτιστής συμπεριλαμβάνονται

GENERAL SAFETY INSTRUCTIONS



WARNING ! READ AND UNDERSTAND ALL INSTRUCTIONS.

Failure to follow all instructions listed below, may result in electric shock, fire and /or serious personal injury.

Work area safety

1. Keep work area clean and well lit. Cluttered or dark areas invite accidents.
2. Do not operate power tools in explosive atmospheres, such as in the presence of flammable liquids, gases or dust. Power tools create sparks which may ignite the dust or fumes.
3. Keep children and bystanders away while operating a power tool. Distractions can cause you to lose control.

Electrical Safety

1. Power tool plugs must match the outlet. Never modify the plug in any way. Do not use any adapter plugs with earthed (grounded) power tools. Unmodified plugs and matching outlets will reduce risk of electric shock.
2. Avoid body contact with earthed or grounded surfaces, such as pipes, radiators, ranges and refrigerators. There is an increased risk of electric shock if your body is earthed or grounded.
3. Do not expose power tools to rain or wet conditions. Water entering a power tool will increase the risk of electric shock.
4. Do not abuse the cord. Never use the cord for carrying, pulling or unplugging the power tool. Keep cord away from heat, oil, sharp edges or moving parts. Damaged or entangled cords increase the risk of electric shock.
5. When operating a power tool outdoors, use an extension cord suitable for outdoor use. Use of a cord suitable for outdoor use reduces the risk of electric shock.
6. If operating a power tool in a damp location is unavoidable, use a residual current device (RCD) protected supply. Use of an RCD reduces the risk of electric shock.

Personal Safety

1. Stay alert, watch what you are doing and use common sense when operating a power tool. Do not use a power tool while you are tired or under the influence of drugs, alcohol or medication. A moment of inattention while operating power tools may result in serious personal injury.
2. Use personal protective equipment. Always wear eye protection. Protective equipment such as a dust mask, non-skid safety shoes, hard hat or hearing protection used for appropriate conditions will reduce personal injuries.
3. Prevent unintentional starting. Ensure the switch is in the off-position before connecting to power source and/or battery pack, picking up or carrying the tool. Carrying power tools with your finger on the switch or energising power tools that have the switch on invites accidents.
4. Remove any adjusting key or wrench before turning the power tool on. A wrench or a key left attached to a rotating part of the power tool may result in personal injury.
5. Do not overreach. Keep proper footing and balance at all times. This enables better control of the power tool in unexpected situations.
6. Dress properly. Do not wear loose clothing or jewellery. Keep your hair and clothing away from moving parts. Loose clothes, jewellery or long hair can be caught in moving parts.
7. If devices are provided for the connection of dust extraction and collection facilities, ensure these are connected and properly used. Use of dust collection can reduce dust-related hazards.
8. Do not let familiarity gained from frequent use of tools allow you to become complacent and ignore tool safety principles. A careless action can cause severe injury within a fraction of a second.

Power tool use and care

1. Do not force the power tool. Use the correct power tool for your application. The correct power tool will do the job better and safer at the rate for which it was designed.
2. Do not use the power tool if the switch does not turn it on and off. Any power tool that cannot be controlled with the switch is dangerous and must be repaired.
3. Disconnect the plug from the power source and/or remove the battery pack, if detachable, from the power tool before making any adjustments, changing accessories, or storing power tools. Such preventive safety measures reduce the risk of starting the power tool accidentally.
4. Store idle power tools out of the reach of children and do not allow persons unfamiliar with the power tool or these instructions to operate the power tool. Power tools are dangerous in the hands of untrained users.
5. Maintain power tools and accessories. Check for misalignment or binding of moving parts, break- age of parts and any other condition that may affect the power tool's operation. If damaged, have the power tool repaired before use. Many accidents are caused by poorly maintained power tools.
6. Keep cutting tools sharp and clean. Properly maintained cutting tools with sharp cutting edges are less likely to bind and are easier to control.
7. Use the power tool, accessories and tool bits etc. in accordance with these instructions, taking into account the working conditions and the work to be performed. Use of the power tool for operations different from those intended could result in a hazardous situation.
8. Keep handles and grasping surfaces dry, clean and free from oil and grease. Slippery handles and grasping surfaces do not allow for safe handling and control of the tool in unexpected situations. When using the tool, do not wear cloth work gloves which may be entangled. The entanglement of cloth work gloves in the moving parts may result in personal injury.
9. Keep handles and grasping surfaces dry, clean and free from oil and grease. Slippery handles and grasping surfaces do not allow for safe handling and control of the tool in unexpected situations.

Battery tool use and care

1. Recharge only with the charger specified by the manufacturer. A charger that is suitable for one type of battery pack may create a risk of fire when used with another battery pack.
2. Use power tools only with specifically designed battery packs. Use of any other battery packs may create a risk of injury and fire.
3. When battery pack is not in use, keep it away from other metal objects, like paper clips, coins, keys, nails, screws or other small metal objects, that can make a connection from one terminal to another. Shorting the battery terminals together may cause burns or a fire.
4. Under abusive conditions, liquid may be ejected from the battery; avoid contact. If contact accidentally occurs, flush with water. If liquid contacts eyes, additionally seek medical help. Liquid battery may cause irritation or burns.
5. Do not use a battery pack or tool that is damaged or modified. Damaged or modified batteries may exhibit unpredictable behaviour resulting in fire, explosion or risk of injury.

6. Do not expose a battery pack or tool to fire or excessive temperature. Exposure to fire or temperature above 130 °C may cause explosion.
7. Follow all charging instructions and do not charge the battery pack or tool outside the temperature range specified in the instructions. Charging improperly or at temperatures outside the specified range may damage the battery and increase the risk of fire.

Service

1. Have your power tool serviced by a qualified repair person using only identical replacement parts. This will ensure that the safety of the power tool is maintained.
2. Never service damaged battery packs. Service of battery packs should only be performed by the manufacturer or authorized service providers.
3. Follow instructions for lubricating and changing accessories.
4. Keep handles dry, clean and free from oil and grease.

Specific Drill safety warnings

1. Safety instructions for all operations
 - a. Wear ear protectors when impact drilling. Exposure to noise can cause hearing loss, b. Brace the tool properly before use. This tool produces a high output torque and without properly bracing the tool during operation, loss of control may occur resulting in personal injury, c. Hold the power tool by insulated gripping surfaces, when performing an operation where the cutting accessory may contact hidden wiring. Cutting accessory contacting a "live" wire may make exposed metal parts of the power tool "live" and could give the operator an electric shock.
2. Safety instructions when using long drill bits, a. Never operate at higher speed than the maximum speed rating of the drill bit. At higher speeds, the bit is likely to bend if allowed to rotate freely without contacting the workpiece, resulting in personal injury, b. Always start drilling at low speed and with the bit tip in contact with the workpiece. At higher speeds, the bit is likely to bend if allowed to rotate freely without contacting the workpiece, resulting in personal injury, c. Apply pressure only in direct line with the bit and do not apply excessive pressure. Bits can bend causing breakage or loss of control, resulting in personal injury.

Warning: Harmful and toxic dusts can be produced when you use the tool on hazardous materials. These dusts can endanger the health of operator and bystanders. Always wear a dust mask when you work, keep bystanders away from the working area and always use the dust collection system. The machine shall be used in a covered and dry area. The ambient temperature shall be included between 15°C and 30°C. The humidity level shall be less than 60%.

Operation

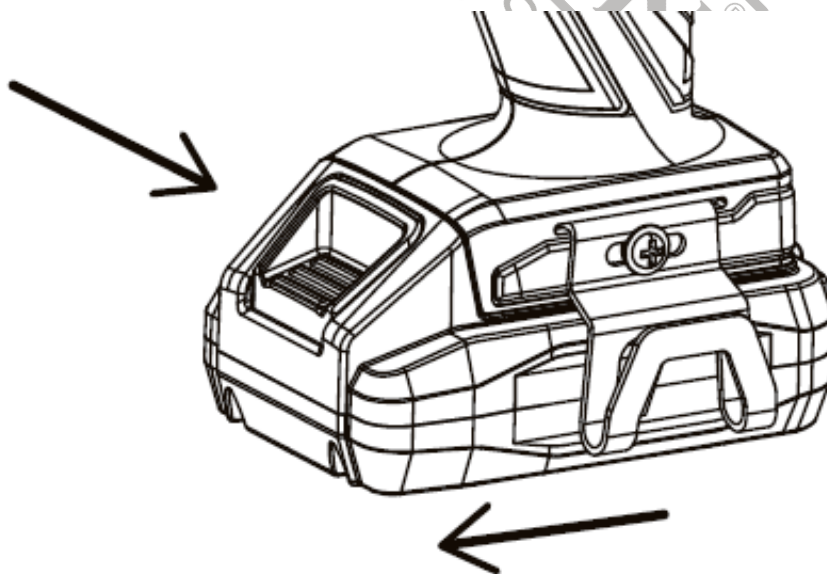
Battery charging

Use only the battery charger supplied with your tool. Only these battery chargers are matched to the lithium ion battery of your power tool. Insert the charging cable into the battery pack. Now the red LED will come on to indicate that the battery pack is being charged. When the charging period is completed after approx 1 hour, the red LED extinguishes and the green LED begins lighting.

Note: The battery is supplied partially charged. To ensure full capacity of the battery, completely charge the battery in the battery charger before using your power tool for the first time. The lithium ion battery can be charged at any time without reducing its service life. Interrupting the charging procedure does not damage the battery.

To install or remove the battery pack.

To remove the battery, depress the battery release button and gently pull the battery out of the drill.



To install the battery

Hold the drill upright in one hand and the battery in your other hand. While pressing with two fingers on the battery release button, insert the battery until it clicks into place. Do not use excessive force when inserting the battery. If the battery does not slide in easily, it is not being inserted correctly. It is also possible that there could be damage to the battery, battery terminals or the drill.

Installing/removing bits and drills

Installing bits/drills

Lock the switch trigger by placing the direction of rotation selector in centre position. Open or close chuck jaws to a point where the opening is slightly larger than the bit size you intend to use. Also, raise the front of the drill slightly to keep the bit from falling out of the chuck jaws. Insert drill bit straight into chuck the full length of the jaws as shown in. Tighten the chuck jaws on the drill bit.

WARNING: Make sure to insert drill bit straight into chuck jaws. Do not insert drill bit into chuck jaws at an angle, this could cause drill bit to be thrown from drill resulting in possible serious personal injury or damage to the chuck.

Removing bits/drills

Lock the switch trigger by placing rotation selector in centre position. Loosen the chuck jaws from the drill bit. Note: Rotate chuck body in the direction of the arrow marked. Release to loosen chuck jaws. Do not use a wrench to tighten or loosen the chuck jaws. Remove the drill bit from the chuck jaws.

General hints for drilling

Drilling in all materials

Always use sharp drill bits. Mark the place where you would like the hole to be drilled. Commence with a slow speed to start the hole. Reduce your pressure on the drill when the drill bit is about to break through the material.

Metal drilling

Support thin material with a piece of scrap wood. Use a center punch to mark the position of the hole. If drilling a large hole, use a small size drill bit first to establish a pilot hole then use the required large size drill bit. Use only HSS (High Speed Steel) drill bits or those recommended for metal use. When drilling into iron or steel, use no lubricant but withdraw the drill regularly to assist cooling.

Wood drilling

Mark the place where you want to drill with a punch or a nail. To avoid splintering on breakthrough, either clamp a piece of scrap wood to the back of your work piece or continue the hole from the back of the wood when the drill bit first breaks through.

FEATURES

Li-ion battery (9)

Advantages of Li-ion batteries :

- Li-ion batteries have a higher capacity/weight ratio (more power for less heavy, more compact, battery)
- No memory effect (capacity loss after several charge/discharge cycles) like other type batteries. (Ni-Cd, Ni-MeH ..).
- Limited self discharge. (also see chapter : Storage)

Keyless chuck (1)

A keyless chuck is included on your drill to allow for easy installation and removal of bits/accessories. The chuck is divided into two parts. The rear is called the collar and the front is called the body. To open and close the keyless chuck, grasp and hold the collar of the chuck with one hand and rotate the chuck body with your other hand. The arrows on the chuck indicate in which direction to rotate the chuck body in order to GRIP (tighten) or release (unlock) the drill bit.

WARNING: Do not hold the chuck body with one hand and use power of the drill to tighten or loosen the juck jaws. The chuck body could slip and your hand could come in contact with a rotating accessory. This could cause an accident resulting in personal injury.

Torque adjustment ring (2)

The drill has a torque adjustment ring. It allows you to select the desired torque depending on the task you have to perform (drill / different types of screw into different materials). The proper setting depends on the type of material and the size of screw you are using. TO ADJUST TORQUE: Identify the 15+1 torque indicator settings located on the front of the drill. Rotate adjusting ring (2) to the desired setting. The lower the number, the lower the torque setting. The higher the number, the higher the torque setting.

Remark:

The torque setting function works only in combination with the screw driver mode.

Function mode selector

- Turn the function mode selector and let the pointer align to the impact mode that selects the impact mode of action.
- Turn the function mode selector and let the pointer align to the drill mode a that selects the drill mode of action.
- Turn the function mode selector and let the pointer align to the screwdriver mode T that selects the screwdriver mode of action.

ON/OFF switch (5)

To turn your drill ON, depress the switch trigger. To turn it OFF, release the switch trigger. The switch trigger can be locked in the OFF position. This feature helps reduce the possibility of accidental starting when not in use.

Forward/reverse selector (right/left rotation selector) (4)

The drill has a forward/reverse selector located above the switch trigger.

- F(Forward) (Forward): Press selector on right side of machine (to the left side): drill turns right (forward, fasten screws)
- R(Reverse) (Reverse): Press selector on left side of machine (to the right side): drill turns left (reverse/ loosen screws)

CAUTION: To prevent damage to the gearbox, always allow the chuck to come to a complete stop before changing the direction of rotation or selecting another speed (HI-LO). To stop, release the trigger switch.

Speed selector (3)

Your cordless drill has a two-speed gear, designed for drilling or driving at LO or HI speed. A slide switch is located on top of your drill to select either LO (1) or HI (2) speed. The low speed (LO) is used, in combination with the torque setting, for screwing screws in or out and for drilling with a larger diameter. The high speed (HI) is used only for drilling (never for screwing, as this may lead to damage of the tool).

LED worklight (6)

Your cordless drill is equipped with an LED light at the front (above the ON/OFF switch) above the battery pack. The white LED light will light when you operate the machine, providing the work area to be lighted.

TPR soft grip

- Your cordless drill is equipped with TPR soft grip and protective parts. TPR (Thermoplastic rubber) is elastic, shock absorbing and environmental friendly (recyclable).

Cleaning and care

Your tool has been designed to operate over a long period of time with a minimum of maintenance.

- Continuous satisfactory operation depends upon proper tool care and regular cleaning. Clean your tool using a damp cloth.
- Your charger does not require any maintenance apart from regular cleaning, unplug it before cleaning.
- Use a soft brush or dry cloth.
- KEEP VENTILATION SLOTS CLEAN! Periodically check the air vents for dust or other debris. Clean with compressed air (max. 3 bar)

Do not use any abrasive or solvent-based cleaner. Use clean cloths to remove dirt, carbon dust, etc.

WARNING: Do not allow brake fluids, gasoline, petroleum-based products, penetrating oils, etc. come in contact with plastic parts, they contain chemicals that can damage, weaken or destroy plastic.

WARNING: Always wear safety goggles or safety glasses with side shields when using compressed air to clean tools. If the operation is dusty, also wear a dust mask.

BATTERIES: The battery pack for this tool is equipped with a Li-ion rechargeable battery. Do not disassemble battery pack and attempt to replace the batteries inside.

Service

Have your power tool serviced by a qualified repair person using only identical replacement parts. This will ensure that the safety of the power tool is maintained.

Storage

Store your tool in a clean, dry, frost free environment.

- Store your batteries in a cool area. Optimal temperature for storing your Li-ion battery for longer term is 2°C. (capacity loss will only be 6% / year (compared to 20% at 25°C)). Never store batteries in discharged condition.
- It is better for Li-ion batteries to recharge them frequently. Optimal long time storage charge for your Li-ion battery is at 40% of their capacity.

Recycling

At the end of the working life of this power tool or when it can no longer be repaired, ensure that it is disposed of according to national regulations. — Contact your local authority for details of collection schemes in your area.

In all circumstances:

- DO NOT dispose of power tools along with domestic waste.
- DO NOT incinerate.
- DO NOT dispose of as unsorted municipal waste.

WARNING!

- DO NOT mutilate or put battery pack in fire; cells may burst or release toxic materials (corrosive electrolyte).
- DO NOT short circuit cells, may cause burns.
- The battery pack must be removed from the appliance before it is scrapped.
- The battery pack is to be disposed of safely.
- DO NOT dispose of batteries or cells in a charged condition.

Expired batteries must be recycled/disposed of in accordance with the appropriate regulation or legislation. They should be returned to your local warranty agent/stockist.



ΓΕΝΙΚΕΣ ΟΔΗΓΙΕΣ ΑΣΦΑΛΕΙΑΣ



ΠΡΟΕΙΔΟΠΟΙΗΣΗ! ΔΙΑΒΑΣΤΕ ΚΑΙ ΚΑΤΑΝΟΗΣΤΕ ΟΛΕΣ ΤΙΣ ΟΔΗΓΙΕΣ.

Εάν δεν ακολουθήσετε τις οδηγίες που αναφέρονται παρακάτω, μπορεί να προκληθεί ηλεκτροπληξία, πυρκαγιά ή/και σοβαρός τραυματισμός.

Ασφάλεια στο χώρο εργασίας

1. Διατηρείτε το χώρο εργασίας καθαρό και καλά φωτισμένο. Οι ακατάστατοι ή σκοτεινοί χώροι προκαλούν ατυχήματα.
2. Μην χρησιμοποιείτε ηλεκτρικά εργαλεία σε κερηκτικές ατμόσφαιρες, όπως παρουσία εύφλεκτων υγρών, αερίων ή σκόνης. Τα ηλεκτρικά εργαλεία δημιουργούν σπινθήρες που μπορεί να αναφλέξουν τη σκόνη ή τους καπνούς.
3. Κρατήστε τα παιδιά και τους παρευρισκόμενους μακριά κατά τη λειτουργία ηλεκτρικού εργαλείου. Η απόσπαση της προσοχής μπορεί να προκαλέσει ενδεχομένως απώλεια ελέγχου.

Ηλεκτρική ασφάλεια

1. Τα βύσματα των ηλεκτρικών εργαλείων πρέπει να ταιριάζουν με την πρίζα. Ποτέ μην τροποποιείτε το βύσμα με οποιονδήποτε τρόπο. Μην χρησιμοποιείτε βύσματα προσαρμογείς (adapters) με γειωμένα ηλεκτρικά εργαλεία. Τα μη τροποποιημένα βύσματα και κατάλληλες πρίζες θα μειώσουν τον κίνδυνο ηλεκτροπληξίας.
2. Αποφύγετε την επαφή του σώματος με γειωμένες επιφάνειες, όπως σωλήνες, θερμαντικά σώματα, εστίες και ψυγεία. Υπάρχει αυξημένος κίνδυνος ηλεκτροπληξίας εάν το σώμα σας είναι γειωμένο.
3. Τα ηλεκτρικά εργαλεία δεν πρέπει να εκτίθενται σε βροχή ή υγρές συνθήκες. Η είσοδος νερού σε ένα ηλεκτρικό εργαλείο αυξάνει τον κίνδυνο ηλεκτροπληξίας.
4. Μην κακομεταχειρίζεστε το καλώδιο. Ποτέ μη χρησιμοποιείτε το καλώδιο για μεταφορά, τράβηγμα ή αποσύνδεση του ηλεκτρικού εργαλείου. Κρατήστε το καλώδιο μακριά από θερμότητα, λάδι, αιχμηρές άκρες ή κινούμενα μέρη. Τα κατεστραμμένα ή μπλεγμένα καλώδια αυξάνουν τον κίνδυνο ηλεκτροπληξίας.
5. Όταν χρησιμοποιείτε ένα ηλεκτρικό εργαλείο σε εξωτερικό χώρο, χρησιμοποιήστε ένα καλώδιο προέκτασης κατάλληλο για εξωτερική χρήση. Η χρήση καλωδίου κατάλληλου για εξωτερική χρήση μειώνει τον κίνδυνο ηλεκτροπληξίας.
6. Εάν η λειτουργία ενός ηλεκτρικού εργαλείου σε υγρό χώρο είναι αναπόφευκτη, χρησιμοποιήστε διάταξη προστασίας ρεύματος διαρροής (RCD, Residual Current Device). Η χρήση μιας διάταξης προστασίας ρεύματος διαρροής μειώνει τον κίνδυνο ηλεκτροπληξίας.

Προσωπική ασφάλεια

1. Να είστε σε εγρήγορση, να προσέχετε τι κάνετε και να χρησιμοποιείτε την κοινή λογική όταν χειρίζεστε ένα ηλεκτρικό εργαλείο. Μην χρησιμοποιείτε ηλεκτρικό εργαλείο όταν είστε κουρασμένοι ή υπό την επήρεια ναρκωτικών, αλκοόλ ή φαρμάκων. Μια στιγμή απροσεξίας κατά το χειρισμό ηλεκτρικών εργαλείων μπορεί να οδηγήσει σε σοβαρό προσωπικό τραυματισμό.
2. Χρησιμοποιείτε ατομικό προστατευτικό εξοπλισμό. Φοράτε πάντα προστασία για τα μάτια. Ο προστατευτικός εξοπλισμός, όπως η μάσκα σκόνης, τα αντιολισθητικά παπούτσια ασφαλείας, το σκληρό καπέλο ή η προστασία ακοής που χρησιμοποιούνται για τις κατάλληλες συνθήκες, θα μειώσουν τους προσωπικούς τραυματισμούς.
3. Αποτρέψτε την ακούσια εκκίνηση. Βεβαιωθείτε ότι ο διακόπτης βρίσκεται στη θέση απενεργοποίησης πριν από τη σύνδεση με την πηγή ρεύματος ή/και τη συστοιχία μπαταριών, τη λήψη ή τη μεταφορά του εργαλείου. Η μεταφορά ηλεκτρικών εργαλείων με το δάχτυλο στο διακόπτη ή η ενεργοποίηση ηλεκτρικών εργαλείων που έχουν το διακόπτη ενεργοποιημένο προσκαλεί ατυχήματα.
4. Αφαιρέστε οποιοδήποτε κλειδί ρύθμισης ή κλειδί πριν ενεργοποιήσετε το ηλεκτρικό εργαλείο. Ένα κλειδί ή ένα κλειδί που παραμένει συνδεδεμένο σε ένα περιστρεφόμενο μέρος του ηλεκτρικού εργαλείου μπορεί να προκαλέσει τραυματισμό.
5. Μην τεντώνετε υπερβολικά κρατώντας το εργαλείο. Διατηρείτε πάντα σωστό βηματισμό και την ισορροπία σας. Αυτό επιτρέπει τον καλύτερο έλεγχο του ηλεκτρικού εργαλείου σε απροσδόκητες καταστάσεις.
6. Να ντύνεστε σωστά. Μην φοράτε φαρδιά ρούχα ή κοσμήματα. Κρατήστε τα μαλλιά και τα ρούχα σας μακριά από τα κινούμενα μέρη. Τα χαλαρά ρούχα, τα κοσμήματα ή τα μακριά μαλλιά μπορεί να πιαστούν στα κινούμενα μέρη.
7. Εάν παρέχονται συσκευές για τη σύνδεση εγκαταστάσεων αναρρόφησης και συλλογής σκόνης, βεβαιωθείτε ότι αυτές είναι συνδεδεμένες και χρησιμοποιούνται σωστά. Η χρήση των συστημάτων συλλογής σκόνης μπορεί να μειώσει τους κινδύνους που σχετίζονται με τη σκόνη.
8. Μην αφήνετε την εξοικείωση που αποκτάτε από τη συχνή χρήση των εργαλείων να σας επιτρέψει να εφησυχάσετε και να αγνοήσετε τις αρχές ασφαλείας των εργαλείων. Μια απρόσεκτη ενέργεια μπορεί να προκαλέσει σοβαρό τραυματισμό μέσα σε κλάσματα του δευτερόλεπτου.

Χρήση και φροντίδα ηλεκτρικών εργαλείων

1. Μην εφαρμόζετε υπερβολική δύναμη στο ηλεκτρικό εργαλείο. Χρησιμοποιήστε το σωστό ηλεκτρικό εργαλείο για την εκάστοτε εφαρμογή. Το σωστό ηλεκτρικό εργαλείο θα κάνει τη δουλειά καλύτερα και ασφαλέστερα με τον ρυθμό για τον οποίο έχει σχεδιαστεί.
2. Μην χρησιμοποιείτε το ηλεκτρικό εργαλείο εάν ο διακόπτης (σκανδάλη) δεν το ενεργοποιεί και δεν το απενεργοποιεί. Κάθε ηλεκτρικό εργαλείο που δεν μπορεί να ελεγχθεί με το διακόπτη είναι επικίνδυνο και πρέπει να επισκευαστεί.
3. Αποσυνδέστε το βύσμα από την πηγή ρεύματος ή/και αφαιρέστε το πακέτο μπαταρίας, εάν είναι αποσπώμενο, από το ηλεκτρικό εργαλείο πριν προβείτε σε ρυθμίσεις, αλλάξτε εξαρτήματα ή αποθηκεύσετε τα ηλεκτρικά εργαλεία. Αυτά τα προληπτικά μέτρα ασφαλείας μειώνουν τον κίνδυνο εκκίνησης του ηλεκτρικού εργαλείου από αβλεψία.
4. Αποθηκεύετε τα αδρανή ηλεκτρικά εργαλεία μακριά από παιδιά και μην επιτρέπετε σε άτομα που δεν είναι εξοικειωμένα με το ηλεκτρικό εργαλείο ή τις παρούσες οδηγίες να χειρίζονται το ηλεκτρικό εργαλείο. Τα ηλεκτρικά εργαλεία είναι επικίνδυνα στα χέρια μη εκπαιδευμένων χρηστών.
5. Συντηρείτε τα ηλεκτρικά εργαλεία και τα εξαρτήματα. Ελέγχετε για κακή ευθυγράμμιση ή εμπλοκή των κινούμενων μερών, για θραύση εξαρτημάτων και για οποιαδήποτε άλλη κατάσταση που μπορεί να επηρεάσει τη λειτουργία του ηλεκτρικού εργαλείου. Εάν έχει υποστεί ζημιά, επισκευάστε το ηλεκτρικό εργαλείο πριν από τη χρήση. Πολλά ατυχήματα προκαλούνται από κακώς συντηρημένα ηλεκτρικά εργαλεία.
6. Διατηρείτε τα εργαλεία κοπής κοφτερά και καθαρά. Τα σωστά συντηρημένα κοπτικά εργαλεία με κοφτερές ακμές κοπής είναι λιγότερο πιθανό να μπλοκάρουν και ελέγχονται ευκολότερα. Χρησιμοποιείτε το ηλεκτρικό εργαλείο, τα εξαρτήματα και τα διάφορα τμήματα κ.λπ. σύμφωνα με τις παρούσες οδηγίες, λαμβάνοντας υπόψη τις συνθήκες εργασίας και την εργασία που πρόκειται να εκτελεστεί. Η χρήση ενός ηλεκτρικού εργαλείου για εργασίες διαφορετικές από τις προβλεπόμενες μπορεί να οδηγήσει σε επικίνδυνη κατάσταση.
7. Χρησιμοποιήστε το ηλεκτρικό εργαλείο και τα παρελκόμενά του πάντα σύμφωνα με τις παρούσες οδηγίες, λαμβάνοντας υπόψη τις συνθήκες εργασίας και την είδος καθώς και ποσότητα εργασίας πρόκειται να χρησιμοποιηθεί. Η χρήση του ηλεκτρικού εργαλείου για εργασίες διαφορετικές από εκείνες για τις οποίες προορίζεται μπορεί να καταλήξουν σε ιδιαίτερως επικίνδυνη κατάσταση.
8. Χρησιμοποιήστε το ηλεκτρικό εργαλείο και τα παρελκόμενά του πάντα σύμφωνα με τις παρούσες οδηγίες, λαμβάνοντας υπόψη τις συνθήκες εργασίας και το είδος καθώς και ποσότητα εργασίας πρόκειται να χρησιμοποιηθεί. Η χρήση του ηλεκτρικού εργαλείου για εργασίες διαφορετικές από εκείνες για τις οποίες προορίζεται μπορεί να καταλήξουν σε ιδιαίτερως επικίνδυνη κατάσταση.

9. Διατηρείτε τις λαβές και τις επιφάνειες επεξεργασίας στεγνές, καθαρές και απαλλαγμένες από λάδια και γράσα. Οι ολισθηρές λαβές και επιφάνειες λαβής δεν επιτρέπουν τον ασφαλή χειρισμό και έλεγχο του εργαλείου σε απρόβλεπτες καταστάσεις.

Χρήση και φροντίδα μπαταρίας

1. Επαναφορτίζετε μόνο με τον φορτιστή που καθορίζεται από τον κατασκευαστή. Ένας φορτιστής που είναι κατάλληλος για έναν συγκεκριμένο τύπο συστοιχίας μπαταριών μπορεί να δημιουργήσει κίνδυνο πυρκαγιάς όταν χρησιμοποιείται με άλλη συστοιχία μπαταριών.
2. Χρησιμοποιείτε ηλεκτρικά εργαλεία μόνο με ειδικά σχεδιασμένες για τον σκοπό αυτό μπαταρίες. Η χρήση οποιουδήποτε άλλου τύπου μπαταριών μπορεί να δημιουργήσει κίνδυνο τραυματισμού και πυρκαγιάς.
3. Όταν οι μπαταρίες δεν χρησιμοποιούνται, κρατήστε τις μακριά από άλλα μεταλλικά αντικείμενα, όπως συνδετήρες, κέρματα, κλειδιά, καρφιά, βίδες ή άλλα μικρά μεταλλικά αντικείμενα, που μπορούν να πραγματοποιήσουν σύνδεση από τον ένα ακροδέκτη στον άλλο. Το βραχυκύκλωμα των ακροδεκτών της μπαταρίας μεταξύ τους μπορεί να προκαλέσει εγκαύματα ή πυρκαγιά.
4. Υπό συνθήκες κακομεταχείρισης, μπορεί να εκτοξευτεί υγρό από την μπαταρία - αποφύγετε την επαφή. Εάν συμβεί κατά λάθος επαφή, ξεπλύνετε με νερό. Εάν το υγρό έρθει σε επαφή με τα μάτια, αναζητήστε επιπλέον ιατρική βοήθεια. Το υγρό της μπαταρίας μπορεί να προκαλέσει ερεθισμό ή εγκαύματα.
5. Μην χρησιμοποιείτε μπαταρία ή εργαλείο που έχει υποστεί ζημιά ή έχει υποστεί τροποποίηση. Οι κατεστραμμένες ή τροποποιημένες μπαταρίες ενδέχεται να παρουσιάσουν απρόβλεπτη συμπεριφορά με αποτέλεσμα να προκληθεί πυρκαγιά, έκρηξη ή κίνδυνος τραυματισμού.
6. Μην εκθέτετε τις μπαταρίες ή ένα εργαλείο σε φωτιά ή σε υπερβολική θερμοκρασία. Η έκθεση σε φωτιά ή σε θερμοκρασία άνω των 130 °C μπορεί να προκαλέσει έκρηξη.
7. Ακολουθήστε όλες τις οδηγίες φόρτισης και μην φορτίζετε τις μπαταρίες ή το εργαλείο εκτός του εύρους θερμοκρασίας που καθορίζεται στις οδηγίες. Η ακατάλληλη φόρτιση ή η φόρτιση σε θερμοκρασίες εκτός του καθορισμένου εύρους μπορεί να προκαλέσει ζημιά στη μπαταρία και να αυξήσει τον κίνδυνο πυρκαγιάς.

Service

1. Αναθέστε τη συντήρηση του ηλεκτρικού εργαλείου σας σε εξειδικευμένο τεχνικό, χρησιμοποιώντας μόνο τα εγκεκριμένα ανταλλακτικά. Με τον τρόπο αυτό θα διασφαλιστεί ότι διατηρείται η ασφάλεια του ηλεκτρικού εργαλείου.
2. Ποτέ μην επιδιορθώνετε/συντηρείτε κατεστραμμένες μπαταρίες. Το σέρβις των μπαταριών πρέπει να εκτελείται μόνο από τον κατασκευαστή ή από εξουσιοδοτημένους αντιπρόσωπους.
3. Ακολουθήστε τις οδηγίες για τη λίπανση και την αντικατάσταση των εξαρτημάτων.
4. Διατηρήστε τα χέρια σας στεγνά, καθαρά, χωρίς λάδια και γράσα.

Ειδικές προειδοποιήσεις ασφαλείας δραπάνων

1. Οδηγίες ασφαλείας για όλες τις εργασίες

α. φοράτε ωτοασπίδες κατά την κρουστική διάτρηση. Η έκθεση σε θόρυβο μπορεί να προκαλέσει απώλεια ακοής, β. απαιτείται ορθή στήριξη του εργαλείου σωστά πριν από τη χρήση. Αυτό το εργαλείο παράγει υψηλή ροπή και χωρίς την κατάλληλη αντιστήριξη του εργαλείου κατά τη διάρκεια της λειτουργίας, μπορεί να προκληθεί απώλεια ελέγχου με ενδεχόμενη συνέπεια τον τραυματισμό ατόμων, γ. Κρατήστε το ηλεκτρικό εργαλείο από μονωμένες επιφάνειες λαβής, όταν εκτελείτε μια εργασία όπου το εξάρτημα κοπής μπορεί να έρθει σε επαφή με κρυμμένα καλώδια. Το εξάρτημα κοπής που έρχεται σε επαφή με "ηλεκτροφόρο" καλώδιο μπορεί να καταστήσει τα εκτεθειμένα μεταλλικά μέρη του ηλεκτρικού εργαλείου "ηλεκτροφόρα" και να προκαλέσει αντιστοίχως στον χειριστή ηλεκτροπληξία.

2. Οδηγίες ασφαλείας κατά τη χρήση δραπάνων με μεγάλο μήκος μύτες, α. ποτέ μη λειτουργείτε με μεγαλύτερη ταχύτητα από τη μέγιστη ονομαστική ταχύτητα του τρυπανιού. Σε υψηλότερες ταχύτητες, η μύτη είναι πιθανό να καμφθεί αν αφηθεί να περιστραφεί ελεύθερα χωρίς να έρθει σε επαφή με το τεμάχιο κατεργασίας, με αποτέλεσμα να προκληθεί τραυματισμός, β. ξεκινάτε πάντα τη διάτρηση με χαμηλή ταχύτητα και με το άκρο του δραπάνου (μύτη) σε επαφή με το τεμάχιο κατεργασίας. Σε υψηλότερες ταχύτητες, η μύτη είναι πιθανό να λυγίσει εάν αφηθεί να περιστραφεί ελεύθερα χωρίς να έρθει σε επαφή με το τεμάχιο, με αποτέλεσμα τον τραυματισμό ατόμων. Εφαρμόζετε πίεση μόνο σε ευθεία γραμμή με την μύτη του εργαλείου και μην ασκείτε υπερβολική πίεση. Τα κοπιδία/μύτες μπορεί να λυγίσουν προκαλώντας θραύση ή απώλεια ελέγχου, με αποτέλεσμα τον τραυματισμό ατόμων.

Προειδοποίηση: Μπορεί να παραχθούν επιβλαβείς και τοξικές σκόνες όταν χρησιμοποιείτε το εργαλείο σε επικίνδυνα υλικά. Αυτές οι σκόνες μπορεί να θέσουν σε κίνδυνο την υγεία του χειριστή και των παρευρισκομένων. Φοράτε πάντα μάσκα σκόνης όταν εργάζεστε, κρατάτε τους παρευρισκόμενους μακριά από την περιοχή εργασίας και χρησιμοποιείτε πάντα το σύστημα συλλογής σκόνης. Το μηχάνημα πρέπει να χρησιμοποιείται σε καλυμμένο και στεγνό χώρο. Η θερμοκρασία περιβάλλοντος πρέπει να περιλαμβάνεται μεταξύ 15°C και 30°C. Το επίπεδο υγρασίας πρέπει να είναι μικρότερο από 60%.

Λειτουργία

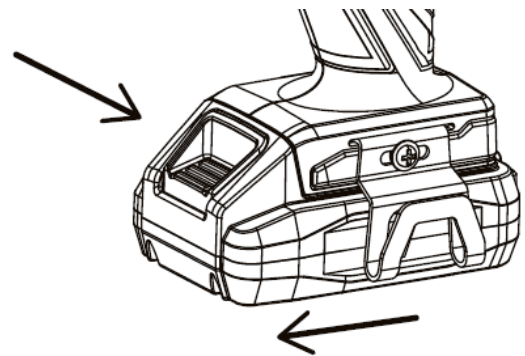
Φόρτιση μπαταρίας

Χρησιμοποιείτε μόνο τον φορτιστή μπαταρίας που παρέχεται με το εργαλείο. Μόνο αυτοί οι φορτιστές μπαταρίας είναι κατάλληλα προσαρμοσμένοι στην μπαταρία ιόντων λιθίου του συγκεκριμένου ηλεκτρικού σας εργαλείου. Τοποθετήστε το καλώδιο φόρτισης στη συστοιχία μπαταριών. Τώρα η κόκκινη λυχνία LED θα ανάψει για να υποδείξει ότι η μπαταρία φορτίζεται. Όταν ολοκληρωθεί η περίοδος φόρτισης μετά από περίπου 1 ώρα, η κόκκινη λυχνία LED σβήνει και η πράσινη λυχνία LED αρχίζει να ανάβει.

Σημείωση: Η μπαταρία παρέχεται μερικώς φορτισμένη. Για να διασφαλίσετε την πλήρη ικανότητα της μπαταρίας, φορτίστε πλήρως την μπαταρία στο φορτιστή μπαταρίας πριν χρησιμοποιήσετε το ηλεκτρικό εργαλείο για πρώτη φορά. Η μπαταρία ιόντων λιθίου μπορεί να φορτιστεί ανά πάσα στιγμή χωρίς να μειωθεί η διάρκεια ζωής της. Η διακοπή της διαδικασίας φόρτισης δεν προκαλεί βλάβη στην μπαταρία.

Τοποθέτηση ή αφαίρεση μπαταρίας.

Προκειμένου να αφαιρέσετε την μπαταρία, πατήστε το κουμπί απελευθέρωσης της μπαταρίας και τραβήξτε απαλά την μπαταρία έξω από το τρυπάνι (δείτε την εικόνα).



Εγκατάσταση μπαταρίας

Κρατήστε το δράπανο σε όρθια θέση με το ένα χέρι και την μπαταρία με το άλλο χέρι. Ενώ πιέζετε με δύο δάχτυλα το κουμπί απελευθέρωσης της μπαταρίας, τοποθετήστε την μπαταρία μέχρι να κουμπώσει στη θέση της. Μην χρησιμοποιείτε υπερβολική δύναμη κατά την εισαγωγή της μπαταρίας. Εάν η μπαταρία δεν ολισθαίνει εύκολα, δεν εισάγεται σωστά. Είναι επίσης πιθανό να προκληθεί ζημιά στην μπαταρία, στους ακροδέκτες της μπαταρίας ή και στο ίδιο το δράπανο.

Εγκατάσταση/Αφαίρεση μυτών, κοπτικών και διατρητικών άκρων

Εγκατάσταση μυτών, κοπτικών και διατρητικών άκρων

Ασφαλίστε τον διακόπτη (σκανδάλη) ενεργοποίησης τοποθετώντας τον επιλογέα κατεύθυνσης περιστροφής στην κεντρική θέση. Ανοίξτε ή κλείστε τις σιαγόνες του τσοκ σε σημείο όπου το άνοιγμα είναι ελαφρώς μεγαλύτερο από το μέγεθος του κομματιού που σκοπεύετε να χρησιμοποιήσετε. Επίσης, ανασηκώστε ελαφρώς το μπροστινό μέρος του δράπανου για να μην πέσει η μύτη από τις σιαγόνες του τσοκ. Εισάγετε την μύτη του δράπανου κατ' ευθείαν στο τσοκ σε όλο το μήκος των σιαγόνων. Σφίξτε τις σιαγόνες του τσοκ στην μύτη του δράπανου.

ΠΡΟΕΙΔΟΠΟΙΗΣΗ: Βεβαιωθείτε ότι η μύτη (ή άκρο) του δράπανου εισάγεται κατ' ευθείαν στις σιαγόνες του τσοκ. Μην εισάγετε την μύτη του δράπανου στις σιαγόνες του τσοκ υπό γωνία, αυτό θα μπορούσε να προκαλέσει εκτίναξη της μύτης από το δράπανο με αποτέλεσμα πιθανό σοβαρό τραυματισμό ή ζημιά στο τσοκ.

Αφαίρεση μυτών/κοπτικών και διατρητικών άκρων

Κλειδώστε τη σκανδάλη του διακόπτη τοποθετώντας τον επιλογέα περιστροφής στην κεντρική θέση. Χαλαρώστε τις σιαγόνες του τσοκ από την μύτη του δράπανου. Σημείωση: Περιστρέψτε το σώμα του τσοκ προς την κατεύθυνση του βέλους που επισημαίνεται. Απελευθερώστε για να χαλαρώσετε τις σιαγόνες του τσοκ. Μην χρησιμοποιείτε κλειδί για να σφίξετε ή να χαλαρώσετε τις σιαγόνες του τσοκ. Αφαιρέστε την μύτη (ή διατρητικό ή/και κοπτικό άκρο) από τις σιαγόνες του τσοκ.

Γενικές οδηγίες για την διάτρηση

Διάτρηση σε όλα τα υλικά

Χρησιμοποιείτε πάντα αιχμηρά διατρητικά άκρα. Σημειώστε το σημείο στο οποίο θέλετε να διεξάγετε διάτρηση. Ξεκινήστε με αργή ταχύτητα την διάνοιξη της οπής. Μειώστε την πίεσή σας στο δράπανο όταν το άκρο διάτρησης είναι έτοιμο να διαπεράσει το υλικό.

Διάτρηση μετάλλων

Υποστηρίξτε το λεπτό υλικό με ένα κομμάτι ξύλο. Χρησιμοποιήστε ένα τρυπητήρι (ή άλλο όργανο) για να επισημάνετε τη θέση της οπής. Εάν σκοπεύετε να ανοίξετε μια μεγάλη οπή, χρησιμοποιήστε πρώτα ένα διατρητικό άκρο μικρού μεγέθους για να δημιουργήσετε μια πιλοτική αρχική οπή και, στη συνέχεια, χρησιμοποιήστε το απαιτούμενο διατρητικό άκρο (μεγαλύτερου μεγέθους). Χρησιμοποιείτε μόνο διατρητικά άκρα HSS (High Speed Steel, ατσάλι για υψηλής ταχύτητας) ή αυτά που συνιστώνται για χρήση σε μέταλλα. Κατά τη διάτρηση σε σίδηρο ή χάλυβα, μη χρησιμοποιείτε λυπαντικό, αλλά αποσύρετε τακτικά το διατρητικό άκρο για να βοηθήσετε την ψύξη.

Διάτρηση ξύλου

Σημειώστε το σημείο όπου θέλετε να διεξάγετε διάτρηση με ένα τρυπητήρι ή ένα καρφί. Για να αποφύγετε το θρυμματισμό κατά την διάτρηση, είτε στερεώστε ένα κομμάτι ξύλου στο πίσω μέρος του τεμαχίου κατεργασίας είτε συνεχίστε την διάνοιξη οπής από το πίσω μέρος του ξύλου όταν το κοπτικό άκρο διαπεράσει για πρώτη φορά το τεμάχιο κατεργασίας.

Χαρακτηριστικά

Μπαταρία Li-ion (9)

Πλεονεκτήματα των μπαταριών ιόντων λιθίου :

- Οι μπαταρίες ιόντων λιθίου έχουν υψηλότερη αναλογία χωρητικότητας/βάρους (μεγαλύτερη ισχύς για λιγότερο βάρια, πιο συμπαγή μπαταρία).
- Δεν έχουν φαινόμενο μνήμης (απώλεια χωρητικότητας μετά από αρκετούς κύκλους φόρτισης/εκφόρτισης) όπως μπαταρίες άλλου τύπου (Ni-Cd, Ni-MeH ..).
- Περιορισμένη αυτοεκφόρτιση (βλέπε επίσης κεφάλαιο : Αποθήκευση)

Αυτόματο τσοκ (1)

Στο δράπανο συμπεριλαμβάνεται ένα αυτόματο τσοκ για εύκολη εγκατάσταση και αφαίρεση των μυτών/άκρων διάτρησης, κοπής. Το τσοκ χωρίζεται σε δύο μέρη. Το πίσω μέρος ονομάζεται κολάρο και το μπροστινό μέρος ονομάζεται σώμα. Για να ανοίξετε και να κλείσετε το αυτόματο τσοκ, πιάστε και κρατήστε το κολάρο του τσοκ με το ένα χέρι και περιστρέψτε το σώμα του τσοκ με το άλλο χέρι. Τα βέλη στο τσοκ υποδεικνύουν προς ποια κατεύθυνση πρέπει να περιστρέψετε το σώμα του τσοκ, προκειμένου για σύσφιξη ή να απελευθερωθεί (ξεκλείδωμα) της μύτης/άκρου διάτρησης.

ΠΡΟΕΙΔΟΠΟΙΗΣΗ: Μην κρατάτε το σώμα του τσοκ με το ένα χέρι και χρησιμοποιείτε τη δύναμη του δράπανου για να σφίξετε ή να χαλαρώσετε τις σιαγόνες του τσοκ. Το σώμα του τσοκ θα μπορούσε να γλιστρήσει και το χέρι σας θα μπορούσε να έρθει σε επαφή με ένα περιστρεφόμενο εξάρτημα, το οποίο αποτελεί αιτία ατυχήματος και τραυματισμού.

Δακτύλιος ρύθμισης ροπής (2)

Το δράπανο διαθέτει δακτύλιο ρύθμισης της ροπής στρέψης. Σας επιτρέπει να επιλέγετε την επιθυμητή ροπή ανάλογα με την εργασία που πρέπει να εκτελέσετε (διάτρηση/διαφορετικοί τύποι βιδών σε διαφορετικά υλικά). Η κατάλληλη ρύθμιση εξαρτάται από τον τύπο του υλικού και το μέγεθος της βίδας που χρησιμοποιείτε. ΡΥΘΜΙΣΗ ΡΟΠΗΣ: Προσδιορίστε τις ρυθμίσεις των (π.χ. 15+1) ενδείξεων ροπής που βρίσκονται στο μπροστινό μέρος του δράπανου. Περιστρέψτε τον δακτύλιο ρύθμισης (2) στην επιθυμητή ρύθμιση. Όσο μικρότερος είναι ο αριθμός, τόσο χαμηλότερη είναι η ρύθμιση ροπής. Όσο μεγαλύτερος είναι ο αριθμός, τόσο μεγαλύτερη είναι η ρύθμιση ροπής.

Παρατήρηση:

Η λειτουργία ρύθμισης της ροπής στρέψης λειτουργεί μόνο σε συνδυασμό με τη λειτουργία του κατασβιδιού.

Επιλογέας κατάστασης λειτουργίας

- Στρέψτε τον επιλογέα λειτουργίας και αφήστε τον δείκτη να ευθυγραμμιστεί με τη λειτουργία κρούσης προκειμένου για δράση κρούσης (παρατηρήστε το σήμα του σφυριού).
- Στρέψτε τον επιλογέα λειτουργίας και αφήστε τον δείκτη να ευθυγραμμιστεί με τη λειτουργία διάτρησης προκειμένου για δράση διάτρησης (παρατηρήστε το σήμα διάτρησης)
- Στρέψτε τον επιλογέα λειτουργίας και αφήστε τον δείκτη να ευθυγραμμιστεί με τη λειτουργία κατασβίδιου προκειμένου για δράση κατασβίδιου (παρατηρήστε το σήμα κατασβίδιου).

Διακόπτης ON/OFF (5)

Για να ενεργοποιήσετε το δράπανο, πατήστε τη σκανδάλη του διακόπτη ενεργοποίησης/απενεργοποίησης. Για να το απενεργοποιήσετε, αφήστε τη σκανδάλη του διακόπτη. Η σκανδάλη του διακόπτη μπορεί να κλειδωθεί στη θέση OFF. Αυτή η λειτουργία συμβάλλει στη μείωση της πιθανότητας τυχαίας εκκίνησης όταν δεν είναι σε λειτουργία.

Επιλογέας εμπρόσθιας/αντίστροφης κίνησης (επιλογέας δεξιάς/αριστερής περιστροφής) (4)

Το δράπανο διαθέτει έναν επιλογέα εμπροσθοπορείας/οπισθοπορείας που βρίσκεται πάνω από τη σκανδάλη του διακόπτη.

- F(Forward) (Εμπρός): Πιέστε τον επιλογέα στη δεξιά πλευρά του μηχανήματος (προς τα αριστερά): το δράπανο περιστρέφεται δεξιόστροφα (εμπρός, στερέωση κοχλιών)
- R(Reverse) (Αντίστροφη κίνηση): Πιέστε τον επιλογέα στην αριστερή πλευρά του μηχανήματος (προς τα δεξιά): το δράπανο περιστρέφεται αριστερόστροφα (αντίστροφη κίνηση/ χαλάρωση των βιδών)

ΠΡΟΣΟΧΗ: Για να αποφύγετε ζημιά στο κιβώτιο ταχυτήτων, αφήνετε πάντα το τσοκ να σταματήσει εντελώς πριν αλλάξετε την κατεύθυνση περιστροφής ή επιλέξετε άλλη ταχύτητα (HI-LO). Για να σταματήσετε, αφήστε τον διακόπτη σκανδάλης.

Επιλογέας ταχύτητας (3)

Το δράπανο μπαταρίας διαθέτει ένα γρανάζι δύο ταχυτήτων, σχεδιασμένο για διάτρηση ή βίδωμα με ταχύτητα LO (χαμηλή) ή HI(υψηλή). Ένας συρόμενος διακόπτης βρίσκεται στο επάνω μέρος του δράπανου προκειμένου για την επιλογή της ταχύτητας LO (1) ή HI (2). Η χαμηλή ταχύτητα (LO) χρησιμοποιείται, σε συνδυασμό με τη ρύθμιση ροπής, για το βίδωμα ή το ξεβίδωμα βιδών και για την διεξαγωγή διατήρησης με μεγαλύτερες διαμέτρους. Η υψηλή ταχύτητα (HI) χρησιμοποιείται μόνο για διάτρηση **(ποτέ για βίδωμα)**, καθώς αυτό μπορεί να οδηγήσει σε βλάβη του εργαλείου.

Φωτισμός εργασίας LED (6)

Το δράπανο μπαταρίας είναι εξοπλισμένο με μια λυχνία LED στο μπροστινό μέρος (πάνω από το διακόπτη ON/OFF) πάνω από τη συστοιχία μπαταριών. Η λευκή λυχνία LED θα ανάψει όταν χειρίζεστε το μηχάνημα, παρέχοντας στην περιοχή εργασίας φωτισμό.

Μαλακή λαβή TPR

- Το δράπανο μπαταρίας είναι εξοπλισμένο με μαλακή λαβή TPR και προστατευτικά μέρη. Το TPR (θερμοπλαστικό καουτσούκ) είναι ελαστικό, απορροφητικό κραδασμών και φιλικό προς το περιβάλλον (ανακυκλώσιμο).

Καθαρισμός και φροντίδα

Το εργαλείο έχει σχεδιαστεί για να λειτουργεί για μεγάλο χρονικό διάστημα με ελάχιστη συντήρηση.

- Η συνεχής ικανοποιητική λειτουργία εξαρτάται από τη σωστή φροντίδα του εργαλείου και τον τακτικό καθαρισμό. Καθαρίζετε το εργαλείο χρησιμοποιώντας ένα υγρό πανί.
- Ο φορτιστής σας δεν απαιτεί καμία συντήρηση εκτός από τακτικό καθαρισμό, αποσυνδέστε τον από την πρίζα πριν τον καθαρισμό.
- Χρησιμοποιήστε μια μαλακή βούρτσα ή ένα στεγνό πανί.
- ΔΙΑΤΗΡΕΙΤΕ ΤΙΣ ΣΧΙΣΜΕΣ ΕΞΑΕΡΙΣΜΟΥ ΚΑΘΑΡΕΣ! Ελέγχετε περιοδικά τις οπές εξαερισμού για σκόνη ή άλλα υπολείμματα. Καθαρίζετε με πεπιεσμένο αέρα (μέγιστο 3 bar)

Μην χρησιμοποιείτε καθαριστικό με βάση διαλύτες ή λειαντικό. Χρησιμοποιήστε καθαρά πανάκια για να απομακρύνετε τη βρωμιά, τη σκόνη κ.λπ.

ΠΡΟΕΙΔΟΠΟΙΗΣΗ: Μην αφήνετε υγρά φρένων, βενζίνη, προϊόντα με βάση το πετρέλαιο, δεισδυτικά λάδια κ.λπ. να έρχονται σε επαφή με πλαστικά μέρη, περιέχουν χημικές ουσίες που μπορούν να βλάψουν, να αποδυναμώσουν ή να καταστρέψουν το πλαστικό.

ΠΡΟΕΙΔΟΠΟΙΗΣΗ: Φοράτε πάντα γυαλιά ασφαλείας ή γυαλιά ασφαλείας με πλευρικές ασπίδες όταν χρησιμοποιείτε πεπιεσμένο αέρα για τον καθαρισμό εργαλείων. Εάν η εργασία δημιουργεί σκόνη, να φοράτε επίσης μάσκα σκόνης.

ΜΠΑΤΑΡΙΕΣ: Το εργαλείο είναι εξοπλισμένο με επαναφορτιζόμενη μπαταρία ιόντων λιθίου. Μην αποσυναρμολογείτε την μπαταρία και μην επιχειρήσετε να αντικαταστήσετε τις μπαταρίες στο εσωτερικό του "πακέτου".

Σέρβις

Αναθέστε τη συντήρηση του ηλεκτρικού εργαλείου σας σε εξειδικευμένο τεχνικό, με χρήση μόνο πανομοιότυπων ανταλλακτικών. Έτσι θα διασφαλιστεί ότι διατηρείται η ασφάλεια του ηλεκτρικού εργαλείου.

Αποθήκευση

- Αποθηκεύστε το εργαλείο σε καθαρό, στεγνό και απαλλαγμένο από παγετό περιβάλλον.
- Αποθηκεύστε τις μπαταρίες σε δροσερό χώρο. Η βέλτιστη θερμοκρασία για την αποθήκευση της μπαταρίας Li-ion για μεγαλύτερο χρονικό διάστημα είναι 2°C. (η απώλεια χωρητικότητας θα είναι μόνο 6% / έτος (σε σύγκριση με 20% στους 25°C)). Ποτέ μην αποθηκεύετε τις μπαταρίες σε αποφορτισμένη κατάσταση.
- Είναι καλύτερο για τις μπαταρίες ιόντων λιθίου να επαναφορτίζονται συχνά. Η βέλτιστη φόρτιση για μακροχρόνια αποθήκευση της μπαταρίας Li-ion είναι στο 40% της χωρητικότητάς τους.

Ανακύκλωση και απόρριψη

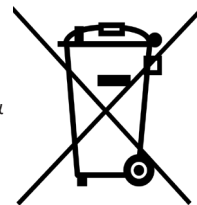
Στο τέλος της διάρκειας ζωής του ηλεκτρικού εργαλείου ή όταν δεν μπορεί πλέον να επισκευαστεί, βεβαιωθείτε ότι απορρίπτεται σύμφωνα με τους εθνικούς κανονισμούς. Επικοινωνήστε με την τοπική αρχή για λεπτομέρειες σχετικά με τα προγράμματα συλλογής στην περιοχή σας.

Σε κάθε περίπτωση:

- ΜΗΝ πετάτε τα ηλεκτρικά εργαλεία μαζί με τα οικιακά απορρίμματα.
- ΜΗΝ αποτεφρώνετε τα ηλεκτρικά εργαλεία.
- ΜΗΝ απορρίπτετε τα εργαλεία ως συνήθη αστικά απόβλητα.

ΠΡΟΕΙΔΟΠΟΙΗΣΗ!

- ΜΗΝ ακρωτηριάζετε ή βάζετε την μπαταρία/τις μπαταρίες στη φωτιά- οι κυψέλες μπορεί να εκραγούν ή να απελευθερώσουν τοξικά υλικά (διαβρωτικός ηλεκτρολύτης).
- ΜΗΝ βραχυκυκλώνετε τις κυψέλες, μπορεί να προκληθούν εγκαύματα.
- Η μπαταρία/οι μπαταρίες πρέπει να αφαιρεθεί από το εργαλείο πριν από την απόρριψή του.
- Το πακέτο μπαταριών πρέπει να απορρίπτεται με ασφάλεια. ΜΗΝ απορρίπτετε μπαταρίες ή κυψέλες σε φορτισμένη κατάσταση. Ληγμένες μπαταρίες πρέπει να ανακυκλώνονται/διατίθενται σύμφωνα με τον κατάλληλο κανονισμό ή νομοθεσία. Θα πρέπει να επιστραφούν στον τοπικό αντιπρόσωπο/αποθηκάριο.



BORMANN
Lite Series

