

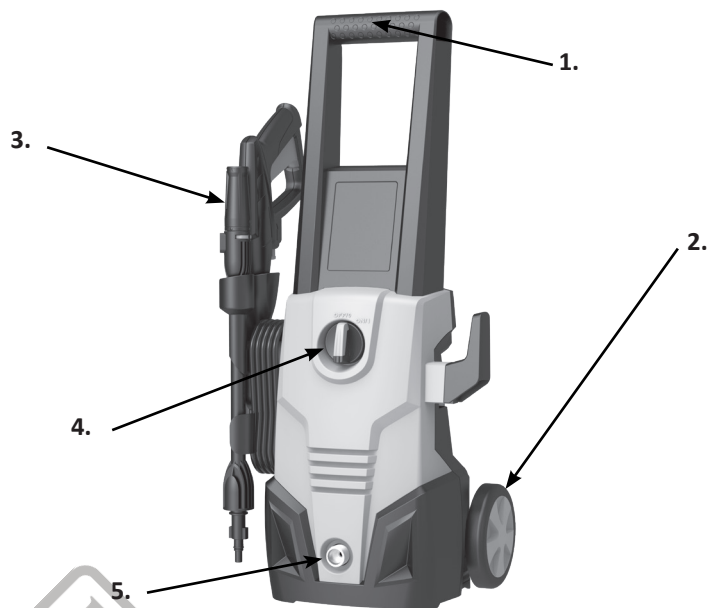
BORMANN®



BPW2210

045472





Device description / Περιγραφή διάταξης

EN	1. Long handle 2. Wheels 3. Spray gun 4. ON/OFF knob 5. Water inlet filter	EL	1. Μακρύ χερούλι 2. Τροχίσκοι 3. Πιστόλι ψεκασμού 4. Επιλογέας ON/OFF 5. Εξαγωγή νερού
-----------	--	-----------	--

Technical Data / Τεχνικά Δεδομένα

Model	Μοντέλο	BPW2210
Nominal voltage & Frequency	Ονομαστική τάση & Συχνότητα	220 - 240 V, 50 - 60 Hz
Nominal power input (Watt)	Ονομαστική ισχύς εισόδου	1600 Watt
Working pressure	Πίεση λειτουργίας	90 bar
Maximum pressure	Μέγιστη πίεση	135 bar
Flow	Ροή	330 lt/hour
Max flow	Μέγιστη ροή	408 lt/hour

Including/Περιλαμβάνονται:

Long handle and wheels, 1 x quick connect spray gun, 1 x 5 m high pressure hose, 1 x 5 m cable with VDE plug, 1 x 435 ml outside soap bottle, autostop function and self-priming function, 1 x transparent water inlet filter

Μακρύ χερούλι και τροχί, 1 x 5 m σωλήνας υψηλής πίεσης, καλώδιο 1 x 5 m με βύσμα VDE, 1 x 435 ml εξωτερικό μπουκαλί σαπουνιού, λειτουργία αυτόματης διακοπής λειτουργίας και λειτουργία αυτόματης αναρρόφησης, 1 x διαφανές φίλτρο εισαγωγής νερού

* The manufacturer reserves the right to make minor changes to product design and technical specifications without prior notice unless these changes significantly affect the performance and safety of the products. The parts described / illustrated in the pages of the manual that you hold in your hands may also concern other models of the manufacturer's product line with similar features and may not be included in the product you just acquired.

* Please note that our equipment has not been designed for use in commercial, trade or industrial applications. Our warranty will be voided if the machine is used in commercial, trade or industrial businesses or for equivalent purposes.

* To ensure the safety and reliability of the product and the warranty validity, all repair, inspection, repair or replacement work, including maintenance and special adjustments, must only be carried out by technicians of the authorized service department of the manufacturer.

* Always use the product with the supplied equipment. Operation of the product with non-supplied equipment may cause malfunctions or even serious injury or death. The manufacturer and the importer shall not be liable for injuries and damages resulting from the use of non-conforming equipment.

*Ο κατασκευαστής διατηρεί το δικαίωμα να πραγματοποιήσει δευτερεύουσες αλλαγές στο σχεδιασμό του προϊόντος και στα τεχνικά χαρακτηριστικά χωρίς προηγούμενη ειδοποίηση, εκτός εάν οι αλλαγές αυτές επηρεάζουν σημαντικά την απόδοση και λειτουργία ασφάλειας των προϊόντων.

Τα εξαρτήματα που περιγράφονται / απεικονίζονται στις σελίδες του εγχειριδίου που κρατάτε στα χέρια σας ενδέχεται να αφορούν και σε άλλα μοντέλα της σειράς προϊόντων του κατασκευαστή, με παρόμοια χαρακτηριστικά, και ενδέχεται να μην περιλαμβάνονται στο προϊόν που μόλις αποκτήσατε.

* Λάβετε υπόψη ότι ο εξοπλισμός μας δεν έχει σχεδιαστεί για χρήση σε εμπορικές, επαγγελματικές ή βιομηχανικές εφαρμογές. Η εγγύησή μας θα ακυρωθεί αν το προϊόν χρησιμοποιείται σε εμπορικές, επαγγελματικές ή βιομηχανικές επιχειρήσεις ή για ανάλογους σκοπούς.

* Για να διασφαλιστεί η ασφάλεια και η αξιοπιστία του προϊόντος καθώς και η ισχύς της εγγύησης όλες οι εργασίες επιδιόρθωσης, ελέγχου, επισκευής ή αντικατάστασης συμπεριλαμβανομένης της συντήρησης και των ειδικών ρυθμίσεων, πρέπει να εκτελούνται μόνο από τεχνικούς του εξουσιοδοτημένου τμήματος Service του κατασκευαστή.

* Χρησιμοποιείτε πάντα το προϊόν με τον παρεχόμενο εξοπλισμό. Η λειτουργία του προϊόντος με μη-προβλεπόμενο εξοπλισμό ενδέχεται να προκαλέσει βλάβη ή ακόμα και σοβαρό τραυματισμό ή θάνατο. Ο κατασκευαστής και ο εισαγωγέας ουδεμία ευθύνη φέρει για τραυματισμούς και βλάβες που προκύπτουν από την χρήση μη προβλεπόμενου εξοπλισμού.



WARNING: Do not use the machine without reading the instruction sheet!

Application

THE PORTABLE PRESSURE WASHING MACHINE is a highly specialized multifunctional machine with exceptionally reliable safety assurance, which must be inspected before it may be used to wash and clean cars, bikes and other outdoor equipment or garden patios, green houses etc.

Safety & Warnings

Automatic ON/OFF:

The motor on this pressure washer does not run continuously. It only runs when the trigger of the spray gun is squeezed. After following the start-up procedures in this manual, turn the pressure washer ON and squeeze the trigger for activation. See "Operating Instruction" section in this manual for further details.

⚠️ WARNING

The electrical supply connection shall be made by a qualified person and comply with IEC 60364-1. The electric supply to this machine should include either a residual current device that will interrupt the supply if the leakage current to earth exceeds 30 mA for 30 ms or a device that will prove the earth circuit.

⚠️ WARNING

The operating method to be followed in the event of accident (e.g. contact with detergents: rinse with an abundance of clean water) or breakdown to prevent unsafe situations.

⚠️ WARNING

The motor of this pressure washer will NOT run unless the trigger is squeezed.

Safety Guidelines

This manual contains information that is very important to know and understand.

This information is provided for SAFETY and to PREVENT EQUIPMENT PROBLEMS. To help recognize this information, observe the following symbols.

⚠️ DANGER

Danger indicates an imminently hazardous situation which, if not avoided, WILL result in death or serious injury.

⚠️ WARNING

Warning indicates a potentially hazardous situation which, if not avoided, COULD result in death or serious injury.

⚠️ CAUTION

Caution indicates a potentially hazardous situation which, if not avoided, MAY result in minor or moderate injury.

NOTICE

Information that requires special attention.

Important Safety Instructions



SAVE THESE INSTRUCTIONS!

⚠️ WARNING

When the machine is used, following precautions should always be considered:

1. Read all instructions before using the machine.
2. To reduce the risk of injury, close supervision is necessary when a machine is used near children.
3. ALWAYS disconnect power before disassembling or repairing the unit of the machine.
4. Follow all safety codes as well as the Occupational Safety and Health Act (OSHA).

5. Ensure safety devices are operating properly before using the machine. DO NOT remove or modify any part of the gun or unit of the machine.
6. Know how to stop this machine and bleed pressure quickly. Be thoroughly familiar with the controls.
7. Stay alert – watch what you are doing.
8. Do not operate the machine when fatigued or under the influence of alcohol or drugs.
9. Keep operation area clear of all persons.
10. Do not overreach or stand on unstable support. Keep good footing and balance at all times.
11. Follow the maintenance instructions specified in the manual.
12. Use cleaning agent supplied or recommend by the manufacturer.
13. Only put the machine on stable place when using, transportation, assembly, dismantling. Do not rough handling the machine when transportation.
14. in any event of accident (e.g. contact with detergents, rinse with an abundance of clean water), please always switch off the machine and pull out the plug from socket outlet, and Disconnect the connection with water.
15. The machine is not intended to be connected to the potable water mains. If necessary, please use only inlet hose-set approved by IEC 61770.

Risk of injection or severe injury. Keep clear of nozzle. Do not discharge streams at persons. This machine is to be used only by trained operators. Always remove lance from gun before cleaning debris from tip.

- Keep clear of nozzle. NEVER direct high pressure spray at any person, animal or self.
- Always wear safety glasses or goggles and protective clothing when operating or performing maintenance.
- Never put hand or fingers over the spray tip while operating the unit.
- Never try to stop or deflect leaks with any body part.
- Always engage the trigger safety latch in the safe position even when spraying is stopped for a moment.
- Always follow detergent manufacturer's label recommendations for proper use of detergents. Always protect eyes, skin, and respiratory system from detergent use.

⚠WARNING



Servicing of a double-insulated machine

In a double-insulated machine, two systems of insulation are provided instead of grounding. No grounding means are provided for a double-insulated machine, nor should grounding means be added to the machine. Servicing a double-insulated machine requires extreme care and knowledge of the system, and should be done only by qualified service personnel.

Replacement parts for a double-insulated machine must be identical to the original parts. A double-insulated machine is marked with the words "Double Insulation" or "Double Insulated." Machine may also be marked with symbol shown in Figure 1.

WARNING! Do not use pressure that exceeds the operating pressure of any of the parts (hoses, fittings, etc.) in the pressurized system. Ensure all equipment and accessories are rated to withstand the maximum working pressure of the unit.

WARNING! Explosion hazard.

Never spray flammable liquids or use pressure washer in areas containing combustible dust, liquids or vapors.

Never operate the machine in a closed building or in or near an explosive environment.

WARNING! Do not spray electrical apparatus and wiring.

- Never disconnect the high pressure discharge hose from the machine while the system is pressurized. To depressurize machine, turn power and water supply off, then press gun trigger 2~3 times.
- Never permanently engage the trigger mechanism on the gun.
- Never operate the machine without all components properly connected to the machine (handle, gun/wand assembly, nozzle, etc.).

WARNING! Equipment damage.

- ALWAYS turn water supply "ON" before turning pressure washer "ON." Running pump dry causes serious damage.
- Do not operate the pressure washer with the inlet water screen removed. Keep screen clear of debris and sediment.
- NEVER operate pressure washer with broken or missing parts. Check equipment regularly and repair or replace worn or damaged parts immediately.
- Use only the nozzle supplied with this machine.
- Never leave the wand unattended while the machine is running.
- Never attempt to alter factory settings.

Altering factory settings could damage the unit and will void the warranty.

- Always hold gun and wand firmly when starting and operating the machine.
- NEVER allow the unit to run with the trigger released (off) for more than one (1) minute. Resulting heat buildup will damage pump.
- Pressure washer is not supposed to pump hot water. NEVER connect it to a hot water supply as it will significantly reduce the life of the pump.
- NEVER store the pressure washer outdoors or where it could freeze. The pump will be seriously damaged.

- Release trigger when changing from high to low pressure modes. Failure to do so could result in damage.
 - Be aware of the recoil caused by the water jet when the machine is switched on.
- CAUTION:** Keep hose away from sharp objects. Bursting hoses may cause injury. Examine hose regularly and replace it if damaged.
- Do not attempt to mend a damaged hose.

Extension cords

The use of an extension cord is not recommended. Use only extension cords intended for outdoor use. These are identified by the mark "Acceptable for use with outdoor machines; store indoors while not in use." Use only extension cords having an electrical rating equal to or more than the rating of the machine. Do not use damaged extension cords. Examine extension cord before using and replace it if damaged. Do not abuse extension cord. Do not pull on the cord to disconnect. Keep cord away from heat and sharp edges.

Always disconnect cord from receptacle before disconnecting machine from extension cord.

⚠ DANGER

Failure to follow these instructions can result in serious injury, including death.



⚠ WARNING

To reduce the risk of electrocution, keep all connections dry and off the ground. Do not touch plug with wet hands.

Machines shall not be used by children. Children should be supervised to ensure that they do not play with the machine. This machine is not intended for use by persons (including children) with reduced physical, sensory or mental capabilities, or lack of experience and knowledge.

WARNING! This machine has been designed for use with the cleaning agent supplied or recommended by the manufacturer. The use of other cleaning agents or chemicals may adversely affect the safety of the machine.

WARNING! High pressure jets can be dangerous if subject to misuse. The jet must not be directed at persons, live electrical equipment or the machine itself.

WARNING! Recommend the operator to wear ear protectors.

WARNING! Do not use the machine within range of persons unless they wear protective clothing.

WARNING! Do not direct the jet against yourself or others in order to clean clothes or foot-wear.

WARNING! Risk of explosion-Do not spray flammable liquids.

WARNING! High pressure cleaners shall not be used by children or untrained personnel.

WARNING! High pressure hoses, fittings and couplings are important for the safety of the machine. Use only hoses, fittings and couplings recommended by the manufacturer.

WARNING! To ensure machine safety, use only original spare parts from the manufacturer or approved by the manufacturer.

WARNING! Water that has flown through backflow preventers is considered to be non-potable.

WARNING! The machine shall be disconnected from its power source by removing the plug from the socket-outlet during cleaning or maintenance and when replacing the machine to another function.

WARNING! Do not use the machine if a supply cord or important parts of the machine are damaged, e.g. safety devices, high pressure hoses, trigger gun.

WARNING! If an extension cord is used, the plug and socket must be of watertight construction.

WARNING! Inadequate extension cords can be dangerous. If an extension cord is used, it shall be suitable for outdoor use, and the connection has to be kept dry and off the ground. It is recommended that this is accomplished by means of a cord reel which keeps the socket at least 60mm above the ground.

WARNING! In order to avoid a hazard due to inadvertent resetting of the thermal cut-out, this appliance must not be supplied through an external switching device, such as a timer, or connected to a circuit that is regularly switched on and off by the utility.

WARNING! The machine is intended to be used at a temperature above 0 degree. (Only for machine with power cord of H05VV-F).

WARNING! To ensure the machine safety, please only use original spare parts (including nozzle) from the manufacturer or approved by the manufacturer. Do not use the machine before you changed them if they are damaged.

WARNING! Be care of the danger of the kickback force on the spray assembly when opening the trigger gun and grasp the gun with hands firmly.

WARNING! When the machine is moving and installing, the machine must be in flat. When moving the machine, pulling the handle to move it.

WARNING! Connect to the water supply.

Connect the machine to the water supply.

Make sure the inlet water pressure keeps between 0.01MPa and 0.4MPa.

The inlet pipe should at least 5 M long. Do not use the pipe if the pipe is damaged.



WARNING Machine not suitable for connection directly to the potable water mains.

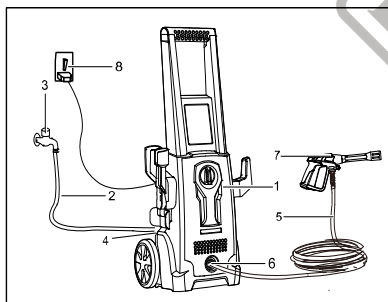
WARNING! Disconnect from the electrical power supply before carrying out user maintenance.

If the mains cable is damaged it must be replaced by the manufacturer, or its service agent or similarly qualified person to avoid a hazard.

Connection

1. Attach the high pressure hose to the pressure water outlet of the machine.
2. Attach the spray handle to the high pressure hose. Prior to operating the machine please ensure that the high pressure hose has been completely uncoiled. Whilst the machine is in operation the hose **MUST** not loop.
3. Mount the nozzle or any other equipment you want to use.
4. Connect the machine to the water and power supplies.

Installation, electrical and water connections



1. Pressure cleaner
 2. Water supply hose
 3. Water connection
 4. Water inlet
 5. High pressure tube
 6. Water outlet
 7. Spray gun
 8. Power supply
- * No. 2, 3, 8 are not included

Pre-operation

Adjusting fan pattern

The angle of spray coming out of the lance may be adjusted on some lances by rotating the nozzle. This will vary the spray pattern from approximately a 0° narrow high impact stream to a 60° wide fan spray (See Figure 2).

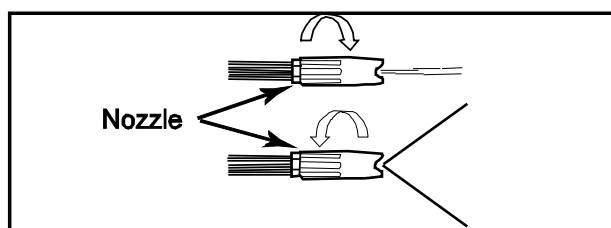


Figure 2 - Adjusting nozzle for fan pattern
(not applicable on some nozzle)

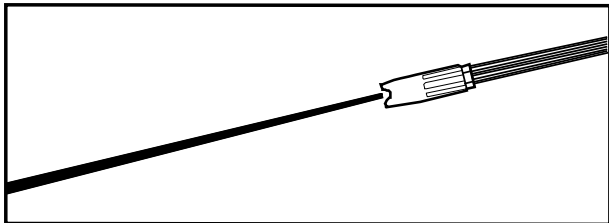


Figure 3 -Narrow high impact stream

A narrow stream has high impact force on the cleaning surface and results in maximum deep cleaning in a concentrated area. However, this narrow high impact spray must be used cautiously, as it may damage some surfaces.

A wide fan pattern will distribute the impact of the water over a larger area, resulting in excellent cleaning action with a reduced risk of surface damage, Large surface areas can be cleaned more quickly using a wide fan pattern.

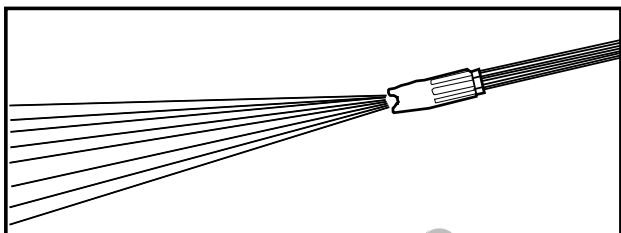


Figure 4 - Wide fan pattern.

Nozzle cleaning instructions

A clogged or partially clogged nozzle can cause a significant reduction of water coming out of the nozzle and cause the unit to pulsate while spraying. To clean out the nozzle:

- Turn off and unplug unit.
- Turn off water supply. Relieve any pressure trapped in the hose by squeezing trigger 2-3 times.
- Separate lance from gun.
- Rotate nozzle to the narrow stream setting. This opens up the fan blades.
- Using included tip cleaner, or an unfolded paper clip, insert wire into the nozzle hole and move back and forth until debris is dislodged. (See Figure 5.)

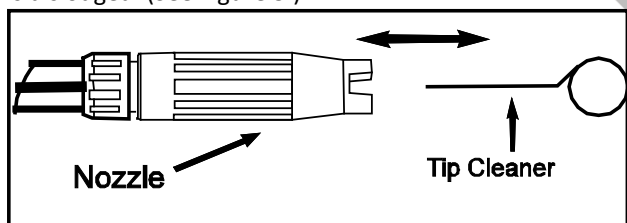


Figure 5- Insert tip cleaner in nozzle hole and move back and forth until debris is dislodged

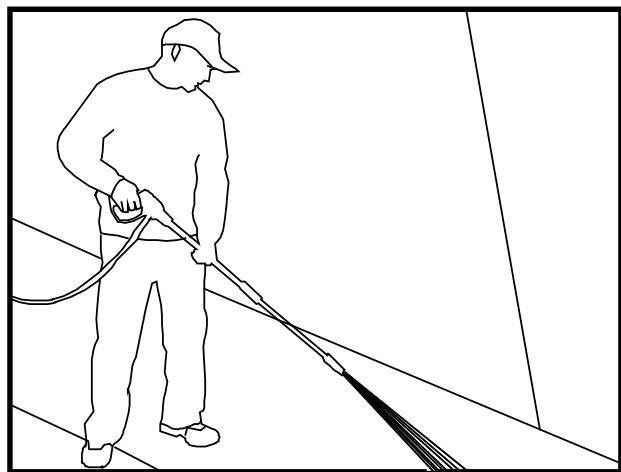


Figure 6-Optimum Angle to Cleaning Surface

Remove additional debris by back-flushing water through the nozzle. To do this, place end of a garden hose (with water running) to end of nozzle for 30-60 seconds.

Angle to the cleaning surface

When spraying water against a surface, maximum impact is generated when the water strikes the surface "head on." However, this type of impact tends to cause dirt particles to imbed in the surface, thereby preventing the desired cleaning action.

The optimum angle for spraying water against a cleaning surface is 45 degrees.

Spraying water against a surface at this angle provides for the most beneficial impact force combined with efficient removal of debris from the surface.

Distance from cleaning surface

Another factor that determines the impact force of the water is the distance from the spray nozzle to the cleaning surface. The impact force of the water is increased as the nozzle is moved closer to the surface.

How to avoid damaging surfaces

Damage to cleaning surfaces occurs because the impact force of the water exceeds the durability of the surface. The impact force can be varied by controlling the three previously noted items. Never use a narrow high impact stream or a turbo/rotary nozzle on a surface that is susceptible to damage. Avoid spraying windows with a narrow high impact stream or turbo nozzle as this may cause breakage. The surest way to avoid damaging surfaces is to follow these steps:

1. Before triggering the gun, adjust the nozzle to a wide fan pattern.
2. Place the nozzle approximately 4-5 feet from and 45 degrees to the cleaning surface, and trigger the gun.
3. Vary the fan pattern spray angle and the distance to the cleaning surface until optimum cleaning efficiency is achieved without damaging the surface.

Turbo nozzle (not included with all models)

A turbo nozzle, sometimes referred to as a rotary nozzle, is a very effective tool that can significantly reduce cleaning time. The turbo nozzle combines the power of a narrow high impact stream and the efficiency of a 25 degree fan pattern. This swirls the narrow high impact stream into a cone shape that cleans a larger area.

CAUTION: Since a turbo nozzle uses a narrow high impact stream, only use it in applications where the cleaning surface cannot be damaged by narrow high impact spray. Additionally, the turbo nozzle is NOT adjustable and cannot be used to apply detergent.

Detergents

The use of detergents can dramatically reduce cleaning time and assist in the removal of difficult stains. Some detergents have been customized for pressure washer use on specific cleaning tasks. These detergents are approximately as thick as water. The use of thicker detergents, such as dish soap, will clog the chemical injection system and prevent the application of the detergent.

The cleaning power of detergents comes from applying them to a surface and giving the chemicals time to break down the dirt and grime. Detergents work best when applied at low pressure.

The combination of chemical action and high pressure rinsing is very effective. On vertical surfaces, apply the detergent starting at the bottom and work your way upward. This will prevent the detergent from sliding down and causing streaks.

High pressure rinsing should also progress from the bottom to top. On particularly tough stains, it may be necessary to use a brush in combination with detergents and high pressure rinsing.

Operation

The following cleaning procedure will help you to organize your cleaning task, and ensure that you achieve the most beneficial results in the shortest amount of time.

Remember to use the spraying/cleaning techniques previously listed.

1. Surface preparation

Before starting a pressure wash cleaning job, it is important to prepare the surface that is to be cleaned. This is done by cleaning the area of furniture, and making sure that all windows and doors are closed tight. In addition, you should make sure that all plants and trees adjacent to the cleaning area are protected by a drop cloth. This will ensure that your plants won't be sprayed by the detergents.

2. Initial High Pressure Rinse

The next step is to spray the cleaning surface with water to clear off any dirt or grime that may have collected on the surface. This will allow your detergent to attack the deep down dirt that has worked its way into the cleaning surface. Before triggering the gun, adjust the nozzle to a wide fan pattern and slowly adjust to the desired spray pattern. This will help you avoid applying too much concentrated spray to the surface which could cause damage.

3. Detergent Application

USE THE INSTRUCTIONS APPROPRIATE FOR MODEL PURCHASED

NOTE: Use only detergents formulated for pressure washes.

NOTE: Test detergent in an inconspicuous area before use.

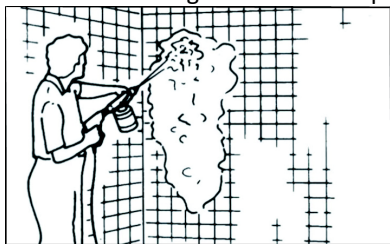


Figure 7- Detergent application

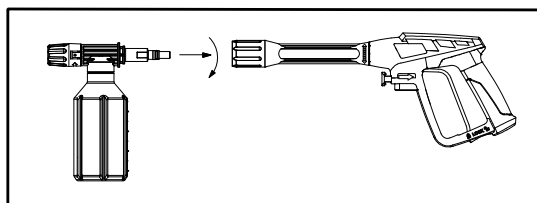


Figure 8 - Attach applicator to gun

Units with Detergent Applicator Included

Follow manufacturer's label directions for mixing correct concentrations of detergent to water ratio through the pressure washer is approximately 5.4% (1 to 19).

1. Unscrew top of detergent applicator and fill applicator with detergent.
2. Replace top on applicator.
3. Remove lance from gun.
4. Attach detergent applicator to gun. (See Figure 8)
5. Apply detergent so it thoroughly covers cleaning surface. Apply from bottom to top to prevent detergent from sliding down and streaking.
6. Allow detergent to remain on the surface for a few minutes. This is a good time to use a brush to lightly scrub heavily soiled areas.

Never allow detergent to dry on the cleaning surface.

7. Remove detergent applicator from gun and replace with the lance, or remove applicator from end of lance.
8. Rinse detergent from surface.

NOTE: Flush detergent applicator with clear water following each use.

4. Final Rinse

Start final rinse at bottom and work upward. Make sure you thoroughly rinse the surface and that all detergent has been removed.

5. Shut down
 1. Be sure all detergent is flushed from system.
 2. Turn off motor.
 3. Turn off water supply.
 4. After motor and water supply are turned off, trigger gun to depressurize system.

CAUTION: NEVER turn water supply off before turning motor off. Serious damage could occur to the pump and or motor.

WARNING! NEVER disconnect high pressure discharge hose from machine while system is pressurized. To depressurize, turn motor off, turn water supply off and squeeze gun trigger 2-3 times.

5. After each use, wipe all surfaces of the pressure washer with a clean, damp cloth.

6. Storage

Do not store pressure washer outdoors.

Do not store pressure washer where it might freeze.

Tips for extending the life of your pressure washer

1. Never operate unit without water.
2. Pressure washer is not meant to pump hot water. Never connect to hot water supply – this will significantly reduce life of the pump.
3. Using detergent other than others brand may cause damage to pump components (O-rings, etc.). This also applies to chemicals such as bleach, dish soap, etc.
4. Never operate unit for more than one (1) minute without spraying water. Resulting heat buildup will damage pump.
5. Before adjusting nozzle's pressure (high-to-low or low-to-high) release trigger. Failure to do so will reduce life of O-rings in lance.

Troubleshooting

Symptom	Possible cause(s)	Corrective Action(s)
Pressure washer does not start up	<ol style="list-style-type: none"> 1. Unit is pressurized 2. Plug is not well connected or electric socket is faulty 3. Extension cord is too long or wire size too small 4. Main voltage supply is too low 5. Thermal safety switch has tripped 	<ol style="list-style-type: none"> 1. Squeeze trigger on gun 2. Check plug, socket and fuse 3. Remove extension cord 4. Check that main supply voltage age is adequate 5. Switch off unit and allow motor to cool down
Pump does not reach necessary pressure	<ol style="list-style-type: none"> 1. Water inlet filter is clogged 2. Pump is sucking air from hose connections 3. Nozzle is worn or not correct size 4. Unloader is clogged or Worn 5. Valves is clogged or worn 	<ol style="list-style-type: none"> 1. Clean water inlet filter 2. Check that connections and locking ring are properly tightened 3. Call the dealer 4. Call the dealer 5. Call the dealer
Fluctuating Pressure	<ol style="list-style-type: none"> 1. Pump is sucking in air 2. Clogged nozzle 3. Valves dirty, worn or stuck 4. Water seals worn 	<ol style="list-style-type: none"> 1. Check that hoses and connections are tight 2. Clean with tip cleaner 3. Call the dealer 4. Call the dealer
Motor stops suddenly	<ol style="list-style-type: none"> 1. Extension cord is too long or wire size too small 2. Thermal safety switch has tripped due to overheating 	<ol style="list-style-type: none"> 1. Remove extension cord 2. Check that main supply voltage age corresponds to specifications

BORMANN
Lite Series



ΠΡΟΣΟΧΗ: Διαβάστε προσεκτικά το εγχειρίδιο οδηγιών χρήσης

Εισαγωγή

Το πλυστικό BPW2200 είναι ένα εξαιρετικά εξειδικευμένο πολυλειτουργικό μηχάνημα κατασκευασμένο σύμφωνα με τα ευρωπαϊκά πρότυπα ασφαλείας. Το μηχάνημα θα πρέπει να επιθεωρείται πριν να χρησιμοποιηθεί για την πλύση και τον καθαρισμό αυτοκινήτων, μοτοσυκλετών καθώς και άλλων υπαίθριων ειδών κήπου, βεράντες κλπ.

Πληροφορίες ασφάλειας και προειδοποιήσεις:

Αυτόματη ενεργοποίηση/απενεργοποίηση

Ο κινητήρας του πλυστικού δεν λειτουργεί συνεχώς. Ενεργοποιείται μόνο όταν πιέζεται η σκανδάλη του πιστολιού. Αφού ακολουθήσετε τις διαδικασίες εκκίνησης που αναγράφονται σε αυτό το εγχειρίδιο, θέστε σε λειτουργία το πλυστικό και πιέστε τη σκανδάλη για να το ενεργοποιήσετε. Για περισσότερες λεπτομέρειες, ανατρέξτε στην ενότητα "Οδηγίες λειτουργίας" αυτού του εγχειριδίου.

⚠ WARNING

Η σύνδεση ηλεκτρικής παροχής πρέπει να πραγματοποιείται από ειδικευμένο τεχνικό και θα πρέπει να συμμορφώνεται με το πρότυπο IEC 60364-1. Η ηλεκτρική τροφοδοσία σε αυτό το μηχάνημα πρέπει να περιλαμβάνει είτε μια διάταξη υπολειμματικού ρεύματος που θα διακόψει την τροφοδοσία εάν το ρεύμα διαρροής της γείωσης υπερβεί τα 30 mA για 30 ms ή μια συσκευή που θα χρησιμοποιήσει το κύκλωμα γείωσης.

⚠ WARNING

Η μέθοδος αντιμετώπισης του προβλήματος που πρέπει να ακολουθείται σε περίπτωση ατυχήματος (π.χ. επαφή με απορρυπαντικά: ξεπλύνετε με άφθονο καθαρό νερό) ή βλάβη για να αποφύγετε επικίνδυνες καταστάσεις.

⚠ WARNING

Ο κινητήρας τίθεται σε λειτουργία μόνο όταν πιέζεται η σκανδάλη του πλυστικού.

Οδηγίες ασφαλούς χρήσης

Αυτό το εγχειρίδιο περιέχει πληροφορίες που είναι πολύ σημαντικές να γνωρίζετε και να κατανοήσετε. Αυτές οι πληροφορίες παρέχονται για την ΑΣΦΑΛΕΙΑ και την ΠΡΟΛΗΨΗ ΠΡΟΒΛΗΜΑΤΩΝ του ΕΞΟΠΛΙΣΜΟΥ. Για να αναγνωρίσετε αυτές τις πληροφορίες, δώστε ιδιαίτερη προσοχή στα παρακάτω σύμβολα. ⓘ

⚠ DANGER

Το σύμβολο ("προσοχή κίνδυνος") αυτό υποδεικνύει μια επικίνδυνη κατάσταση η οποία, αν δεν αποφευχθεί, θα προκαλέσει θάνατο ή σοβαρό τραυματισμό.

⚠ WARNING

Το σύμβολο αυτό ("προειδοποίηση") υποδεικνύει μια δυνητικά επικίνδυνη κατάσταση η οποία, εάν δεν αποφευχθεί, θα μπορούσε να οδηγήσει σε θάνατο ή σοβαρό τραυματισμό.

⚠ CAUTION

Το σύμβολο αυτό ("Προσοχή") υποδεικνύει μια δυνητικά επικίνδυνη κατάσταση η οποία, αν δεν αποφευχθεί, ΜΠΟΡΕΙ ΝΑ επιφέρει ήπιο ή μέτριου βαθμού τραυματισμό.

NOTICE

Το σύμβολο αυτό ("ειδοποίηση") επισημαίνει πληροφορίες που απαιτούν ιδιαίτερη προσοχή.

Σημαντικές συμβουλές ασφαλούς χρήσης



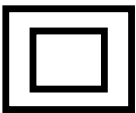
Φυλάξτε το εγχειρίδιο σε ένα ασφαλές σημείο!

⚠️ WARNING

Κατά την διάρκεια της χρήσης του μηχανήματος, θα πρέπει να λάβετε υπόψιν τις παρακάτω συμβουλές ασφαλείας:

1. Διαβάστε όλες τις οδηγίες πριν χρησιμοποιήσετε το μηχάνημα.
2. Για να μειωθεί ο κίνδυνος τραυματισμού, απαιτείται στενή παρακολούθηση όταν χρησιμοποιείται ένα μηχάνημα κοντά στα παιδιά.
3. Πριν από την αποσυναρμολόγηση ή την επισκευή του μηχανήματος, αποσυνδέστε το πάντα από την παροχή ηλεκτρικού ρεύματος.
4. Ακολουθήστε όλους τους κανονισμούς ασφαλείας καθώς και τους κανονισμούς για την ασφάλεια και την υγεία κατά την εργασία (OSHA).
5. Βεβαιωθείτε ότι οι συσκευές ασφαλείας λειτουργούν σωστά πριν χρησιμοποιήσετε το μηχάνημα. ΜΗΝ αφαιρείτε ή τροποποιείτε οποιοδήποτε τμήμα του πιστολιού ή του μηχανήματος.
6. Μάθετε πώς μπορείτε να σταματήσετε αυτό το μηχάνημα και να εκτονώσετε την πίεση γρήγορα, σε περίπτωση έκτακτης ανάγκης. Εξοικειωθείτε με την λειτουργία των χειριστηρίων.
7. Μείνετε σε επαγρύπνηση - παρακολουθήστε τι κάνετε.
8. Μην χρησιμοποιείτε το μηχάνημα όταν νιώθετε κόπωση ή βρίσκεστε υπό την επήρεια αλκοόλ ή ναρκωτικών.
9. Κρατήστε τους παρευρισκόμενους σε απόσταση ασφαλείας από το χώρο εργασίας.
10. Μην τεντώνετε πέραν των δυνατοτήτων σας για να φτάσετε σε δυσπρόσιτα σημεία και μην στέκεστε πάνω σε ασταθείς επιφάνειες. Διατηρείτε σταθερότητα και την ισορροπία σας καθ' όλη την διάρκεια εκτέλεσης της εργασίας.
11. Ακολουθήστε τις οδηγίες συντήρησης που αναγράφονται στο εγχειρίδιο.
12. Χρησιμοποιείτε το απορρυπαντικό που προτείνεται από τον κατασκευαστή.
13. Τοποθετήστε το μηχάνημα σε ένα σταθερό σημείο κατά τη χρήση, μεταφορά, συναρμολόγηση, αποσυναρμολόγηση του. Να είστε ιδιαίτερα προσεκτικοί κατά την μεταφορά του μηχανήματος.
14. Σε κάθε περίπτωση ατυχήματος παρακαλούμε πάντα να απενεργοποιείτε το μηχάνημα και να αποσυνδέετε το βύσμα από την πρίζα καθώς και το λάστιχο σύνδεσης με την παροχή του νερού.
15. Το μηχάνημα δεν προορίζεται για απευθείας σύνδεση με το δίκτυο πόσιμου νερού. Εάν είναι απαραίτητο, χρησιμοποιείτε μόνο σωλήνα εισόδου που έχει εγκριθεί σύμφωνα με το πρότυπο IEC 61770.
16. Κίνδυνος τραυματισμού λόγω υψηλής πίεσης. Διατηρήστε καθαρό από το ακροφύσιο. Μην κατευθύνετε τον πίδακα νερού σε άλλα άτομα. Αυτό το μηχάνημα πρέπει να χρησιμοποιείται μόνο από εκπαιδευμένους χειριστές. Πριν από τον καθαρισμό του ακροφυσίου, αποσυνδέστε πρώτα το πιστόλι από το μηχάνημα.
 - Διατηρήστε απόσταση ασφαλείας από το ακροφύσιο. ΠΟΤΕ μην κατευθύνετε τον πίδακα νερού σε οποιοδήποτε άλλο άτομο, ζώο ή τον εαυτό σας.
 - Να φοράτε πάντα γυαλιά ασφαλείας ή μάσκα και ρουχισμό ατομικής προστασίας κατά την λειτουργία ή τη συντήρηση του μηχανήματος.
 - Ποτέ μην τοποθετείτε ή περνάτε το χέρι ή τα δάχτυλα σας πάνω ή μπροστά από το ακροφύσιο ψεκασμού την στιγμή που το πλυστικό βρίσκεται σε λειτουργία.
 - Μην προσπαθήσετε ποτέ να σταματήσετε ή να εκτρέψετε τυχόν διαρροές με οποιοδήποτε μέρος του σώματος σας.
 - Χρησιμοποιήστε την ασφάλεια της σκανδάλης ακόμη και σε μικρά διαλείμματα.
 - Να ακολουθείτε πάντα τις ετικέτες του κατασκευαστή του απορρυπαντικού για σωστή χρήση των απορρυπαντικών. Να προστατεύετε πάντα τα μάτια, το δέρμα και το αναπνευστικό σας σύστημα κατά τη χρήση απορρυπαντικών.

⚠️ WARNING



Συντήρηση μηχανημάτων με διπλή μόνωση

Τα μηχανήματα αυτού του τύπου διαθέτουν διπλή μόνωση αντί για γείωση. Δεν υπάρχουν μέσα γείωσης για μια διπλά μονωμένη μηχανή ούτε πρέπει να προστεθούν μέσα γείωσης στο μηχάνημα. Η συντήρηση μιας διπλής μόνωσης μηχανής απαιτεί μεγάλη προσοχή και γνώση του συστήματος και πρέπει να γίνεται μόνο από εξειδικευμένο προσωπικό.

Τα ανταλλακτικά για ένα μηχάνημα με διπλή μόνωση πρέπει να είναι ίδια με τα γνήσια ανταλλακτικά. Μια διπλά μονωμένη μηχανή επισημαίνεται με τις φράσεις "διπλή μόνωση" ή "διπλά μονωμένη συσκευή". Το μηχάνημα μπορεί επίσης να φέρει το σύμβολο που εμφανίζεται στα αριστερά αυτής της παραγράφου.

ΠΡΟΕΙΔΟΠΟΙΗΣΗ! Μην χρησιμοποιείτε πίεση που υπερβαίνει την πίεση λειτουργίας οποιουδήποτε εξαρτήματος (εύκαμπτοι σωλήνες, εξαρτήματα κλπ.) του εξοπλισμού. Βεβαιωθείτε ότι όλο το υλικό και τα εξαρτήματα έχουν τις προδιαγραφές ώστε να αντέχουν στη μέγιστη πίεση λειτουργίας του μηχανήματος.

ΠΡΟΕΙΔΟΠΟΙΗΣΗ! Κίνδυνος έκρηξης.

Ποτέ μην ψεκάζετε εύφλεκτα υγρά ή χρησιμοποιείτε το μηχάνημα σε περιοχές που περιέχουν εύφλεκτη σκόνη, υγρά ή υδρατμούς.

Μην χρησιμοποιείτε ποτέ το μηχάνημα σε κλειστούς χώρους ή χώρους με εύφλεκτη ατμόσφαιρά ή/και υλικά.

ΠΡΟΕΙΔΟΠΟΙΗΣΗ! Μην κατευθύνετε τον πίδακα νερού στα ηλεκτρικά εξαρτήματα και την καλωδίωση.

- Ποτέ μην αποσυνδέετε τον εύκαμπτο σωλήνα υψηλής πίεσης από το μηχάνημα, ενώ το σύστημα βρίσκεται υπό πίεση. Για να αποσυμπιεστείτε το μηχάνημα και να εκτονώσετε την πίεση, απενεργοποιήστε το μηχάνημα, και αποσυνδέστε το από την παροχή ηλεκτρικού ρεύματος και την παροχή νερού και, στη συνέχεια, πιέστε τη σκανδάλη 2 ~ 3 φορές.
- Ποτέ μην κρατάτε πατημένη μόνιμα την σκανδάλη του πιστολιού ή με οποιοδήποτε τρόπο θέτετε το μηχάνημα σε συνεχή λειτουργία.

- Μην χρησιμοποιείτε ποτέ το μηχάνημα χωρίς να βρίσκονται όλα τα εξαρτήματα συνδεδεμένα σωστά με το μηχάνημα (λαβή, πιστόλι, ακροφύσιο κλπ.).

ΠΡΟΕΙΔΟΠΟΙΗΣΗ! Κίνδυνος βλάβης του εξοπλισμού!

- Πάντοτε ανοίγετε την παροχή νερού πρώτα προτού ενεργοποιήσετε το μηχάνημα. Η λειτουργία της αντλίας με απουσία νερού μπορεί να προκαλέσει σοβαρή βλάβη.

- Μην χρησιμοποιείτε το πλυστικό χωρίς να είναι τοποθετημένα τα εξαρτήματα ελέγχου και οι συσκευές προστασίας. Κρατήστε όλα τα εξαρτήματα και τις συσκευές ελέγχου σε καθαρή κατάσταση.

- Ποτέ μη χρησιμοποιείτε το πλυστικό ενώ φέρει σπασμένα ή ελλιπή τμήματα. Ελέγχετε τακτικά τον εξοπλισμό και επισκευάστε ή αντικαταστήστε αμέσως τα φθαρμένα ή κατεστραμμένα μέρη.

- Χρησιμοποιείτε μόνο το παρεχόμενο ακροφύσιο με αυτό το μηχάνημα.

- Ποτέ μην αφήνετε το πιστόλι του πλυστικού χωρίς επιτήρηση όταν λειτουργεί το μηχάνημα.

- Μην επιχειρήσετε ποτέ να αλλάξετε τις εργοστασιακές ρυθμίσεις.

Η αλλαγή των εργοστασιακών ρυθμίσεων μπορεί να προκαλέσει βλάβη στο μηχάνημα με συνέπεια να ακυρωθεί η εγγύηση.

- Πάντα να κρατάτε σταθερά το όπλο και την κάνη κατά την εκκίνηση και τη λειτουργία του μηχανήματος.

- Μην επιτρέπετε ποτέ στο μηχάνημα να λειτουργεί με κλειστή την σκανδάλη για περισσότερο από ένα (1) λεπτό. Η αύξηση της θερμότητας θα προκαλέσει βλάβη στην αντλία.

- Το πλυστικό δεν πρέπει να αντλεί ζεστό νερό. ΠΟΤΕ μην τη συνδέετε το μηχάνημα με μια παροχή ζεστού νερού, καθώς θα μειώσει σημαντικά τη διάρκεια ζωής της αντλίας.

- Ποτέ μην αποθηκεύετε το μηχάνημα σε εξωτερικούς χώρους ή σε χώρους όπου υπάρχει η πιθανότητα να παγώσει. Η αντλία θα υποστεί σοβαρή βλάβη.

- Απελευθερώστε τη σκανδάλη όταν αλλάζετε την ρύθμιση της πίεσης από υψηλή σε χαμηλή. Σε αντίθετη περίπτωση, μπορεί να προκληθεί βλάβη.

- Να είστε έτοιμοι για την ανάκρουση που προκαλείται από τον πίδακα νερού που δημιουργείται κατά την ενεργοποίηση του μηχανήματος.

ΠΡΟΣΟΧΗ: Προστατεύστε τον εύκαμπτο σωλήνα από τα αιχμηρά αντικείμενα. Οι εύκαμπτοι σωλήνες εάν σκάσουν ενδέχεται να προκαλέσουν τραυματισμό. Ελέγχετε τακτικά τον εύκαμπτο σωλήνα και αντικαταστήστε τον αν έχει υποστεί κάποια βλάβη.

Μην επιχειρήσετε να επισκευάσετε τον εύκαμπτο σωλήνα.

Καλώδια προέκτασης

Δεν συνιστάται η χρήση καλωδίου προέκτασης. Χρησιμοποιείτε μόνο καλώδια προέκτασης που προορίζονται για εξωτερική χρήση και φέρουν την ανάλογη σήμανση. Αποθηκεύστε τα σε εσωτερικούς χώρους όταν δεν τα χρησιμοποιείτε.

Χρησιμοποιείτε μόνο καλώδια προέκτασης που έχουν τα κατάλληλα χαρακτηριστικά για την λειτουργία του μηχανήματος. Μην χρησιμοποιείτε φθαρμένα καλώδια προέκτασης. Ελέγξτε το καλώδιο προέκτασης πριν το χρησιμοποιήσετε και αντικαταστήστε το εάν έχει υποστεί κάποια βλάβη. Διατηρήστε το καλώδιο προέκτασης σε καλή κατάσταση. Μην τραβάτε το καλώδιο για την αποσύνδεση του από την πρίζα. Κρατήστε το καλώδιο μακριά από πηγές θερμότητας και αιχμηρές άκρες.

Πριν αποσυνδέσετε το μηχάνημα από το καλώδιο προέκτασης, αποσυνδέστε πάντα το καλώδιο από την πρίζα.

⚠ DANGER

Εάν δεν ακολουθήσετε αυτές τις οδηγίες, μπορεί να προκληθεί σοβαρός τραυματισμός, ακόμη και θάνατος.



⚠ WARNING

Για να μειώσετε τον κίνδυνο ηλεκτροπληξίας, κρατήστε όλες τις συνδέσεις στεγνές και ψηλά από το έδαφος. Μην αγγίζετε το βύσμα με βρεγμένα χέρια.

Τα μηχανήματα αυτού του τύπου δεν πρέπει να χρησιμοποιούνται από τα παιδιά. Τα παιδιά θα πρέπει να επιβλέπονται για να βεβαιωθείτε ότι δεν παίζουν με το μηχάνημα.

Αυτό το μηχάνημα δεν προορίζεται για χρήση από άτομα (συμπεριλαμβανομένων των παιδιών) με μειωμένες σωματικές, αισθητηριακές ή διανοητικές ικανότητες ή έλλειψη εμπειρίας και γνώσης.

ΠΡΟΕΙΔΟΠΟΙΗΣΗ! Αυτό το μηχάνημα έχει σχεδιαστεί για χρήση με το καθαριστικό που συνιστάται από τον κατασκευαστή. Η χρήση άλλων καθαριστικών ή χημικών ουσιών μπορεί να επηρεάσει δυσμενώς την ασφάλεια του μηχανήματος.

ΠΡΟΕΙΔΟΠΟΙΗΣΗ! Οι πίδακες υψηλής πίεσης μπορεί να είναι επικίνδυνοι εάν δεν χρησιμοποιούνται σωστά. Ο πίδακας δεν πρέπει να κατευθύνεται σε πρόσωπα, σε ηλεκτρολογικό εξοπλισμό ή στο ίδιο μηχάνημα.

ΠΡΟΕΙΔΟΠΟΙΗΣΗ! Συστήστε τον χειριστή να φορέσει ακουστικά προστασίας ή ωτοασπίδες.

ΠΡΟΕΙΔΟΠΟΙΗΣΗ! Μην χρησιμοποιείτε το μηχάνημα όταν βρίσκονται άλλα άτομα εντός της εμβέλειας ψεκασμού του εκτός αν είναι ντυμένα με προστατευτικό ρουχισμό.

ΠΡΟΕΙΔΟΠΟΙΗΣΗ! Μην κατευθύνετε τον πίδακα προς το μέρος σας ή προς άλλα άτομα με σκοπό να καθαρίσετε τα ρούχα ή τα παπούτσια σας.

ΠΡΟΕΙΔΟΠΟΙΗΣΗ! Κίνδυνος έκρηξης - Μην ψεκάζετε εύφλεκτα υγρά.

ΠΡΟΕΙΔΟΠΟΙΗΣΗ! Τα καθαριστικά υψηλής πίεσης δεν πρέπει να χρησιμοποιούνται από παιδιά ή μη εκπαιδευμένο προσωπικό.

ΠΡΟΕΙΔΟΠΟΙΗΣΗ! Οι εύκαμπτοι σωλήνες υψηλής πίεσης, τα εξαρτήματα και οι σύνδεσμοι είναι σημαντικοί για την ασφάλεια του μηχανήματος. Χρησιμοποιείτε μόνο τους σωλήνες, τα εξαρτήματα και τους συνδέσμους που συνιστώνται από τον κατασκευαστή.

ΠΡΟΕΙΔΟΠΟΙΗΣΗ! Για να εξασφαλίσετε την ασφάλειά και σωστή λειτουργία του μηχανήματός σας, χρησιμοποιήστε μόνο τα αυθεντικά ανταλλακτικά που συνιστώνται από τον κατασκευαστή.

ΠΡΟΕΙΔΟΠΟΙΗΣΗ! Το νερό που έχει γυρίσει πίσω μέσω των βαλβίδων ανάστροφης ροής θεωρείται ως μη πόσιμο.

ΠΡΟΕΙΔΟΠΟΙΗΣΗ! Το μηχάνημα πρέπει να αποσυνδεθεί από την πηγή ρεύματος, αφαιρώντας το φως από την πρίζα προτού ξεκινήσετε τις διαδικασίες καθαρισμού, συντήρησης και κατά αλλαγή του μηχανήματος σε κάποια άλλη λειτουργία.

ΠΡΟΕΙΔΟΠΟΙΗΣΗ! Μην χρησιμοποιείτε το μηχάνημα εάν έχει φθαρμένο καλώδιο τροφοδοσίας ή εκτεταμένη φθορά σε σημαντικά εξαρτήματα, π.χ. συσκευές και μηχανισμοί ασφαλείας, εύκαμπτοι σωλήνες υψηλής πίεσης, πιστόλι /κάνη κτλ.

ΠΡΟΕΙΔΟΠΟΙΗΣΗ! Εάν χρησιμοποιείται καλώδιο προέκτασης, το φως και η πρίζα πρέπει να είναι στεγανής κατασκευής.

ΠΡΟΕΙΔΟΠΟΙΗΣΗ! Τα καλώδια προέκτασης που δεν έχουν τις απαραίτητες προδιαγραφές μπορεί να είναι επικίνδυνα. Εάν χρησιμοποιείτε κάποιο καλώδιο προέκτασης, πρέπει να είναι κατάλληλο για εξωτερική χρήση και το σημείο σύνδεσης πρέπει να διατηρείται στεγνό και εκτός του εδάφους. Συνιστάται αυτό να επιτυγχάνεται μέσω μιας ανέμης καλωδίου που διατηρεί το φως τουλάχιστον 60 mm πάνω από το έδαφος.

ΠΡΟΕΙΔΟΠΟΙΗΣΗ! Προκειμένου να αποφευχθεί ο κίνδυνος λόγω ακούσιας επαναφοράς της θερμικής διακοπής, αυτή η συσκευή δεν πρέπει να τροφοδοτείται μέσω εξωτερικής συσκευής, όπως είναι οι χρονοδιακόπτες, ή να συνδέεται σε οποιοδήποτε άλλο κύκλωμα που ενεργοποιείται και απενεργοποιείται τακτικά από το βοηθητικό πρόγραμμα.

ΠΡΟΕΙΔΟΠΟΙΗΣΗ! Το μηχάνημα είναι σχεδιασμένο για να λειτουργεί σε θερμοκρασία μεγαλύτερη από 0 βαθμούς κελσίου (Μόνο για μηχανήματα με καλώδιο τροφοδοσίας H05VV-F).

ΠΡΟΕΙΔΟΠΟΙΗΣΗ! Για να διασφαλίσετε την διατήρηση της ασφαλούς λειτουργίας του μηχανήματος, χρησιμοποιήστε μόνο τα αυθεντικά ανταλλακτικά (συμπεριλαμβανομένου του ακροφυσίου) που συνιστώνται από τον κατασκευαστή. Μην χρησιμοποιείτε το μηχάνημα προτού αντικαταστήσετε τα εξαρτήματα που έχουν υποστεί βλάβη.

ΠΡΟΕΙΔΟΠΟΙΗΣΗ! Να είστε έτοιμοι για την ανάκρουση που προκαλείται από τον πίδακα νερού που δημιουργείται κατά την ενεργοποίηση του μηχανήματος. Κρατήστε καλά το πιστόλι από την χειρολαβή καθώς πιέζετε την σκανδάλη.

ΠΡΟΕΙΔΟΠΟΙΗΣΗ! Το μηχάνημα πρέπει να βρίσκεται σε όρθια θέση κατά την διάρκεια λειτουργίας του. Για να μετακινήσετε το μηχάνημα, χρησιμοποιήστε την χειρολαβή.

ΠΡΟΕΙΔΟΠΟΙΗΣΗ! Σύνδεση με την παροχή.

Συνδέστε το μηχάνημα στην παροχή νερού.

Βεβαιωθείτε ότι η πίεση νερού εισόδου διατηρείται μεταξύ 0,01MPa και 0,4MPa.

Ο σωλήνας εισαγωγής πρέπει να έχει μήκος τουλάχιστον 5 Μ. Μην χρησιμοποιείτε το σωλήνα σε περίπτωση που έχει υποστεί κάποια βλάβη.



⚠ WARNING

Το μηχάνημα δεν πρέπει να συνδέεται απευθείας στο δίκτυο πόσιμου νερού.

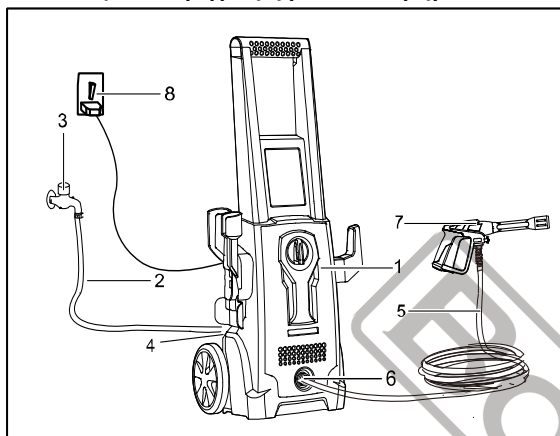
ΠΡΟΕΙΔΟΠΟΙΗΣΗ! Αποσυνδέστε το μηχάνημα από την παροχή ηλεκτρικού ρεύματος πριν από την εργασία συντήρησης.

Εάν το καλώδιο τροφοδοσίας έχει υποστεί κάποια βλάβη, πρέπει να αντικατασταθεί από έναν τεχνικό του εξουσιοδοτημένου τμήματος Service.

Συναρμολόγηση και αρχικές συνδέσεις

1. Συνδέστε τον εύκαμπτο σωλήνα υψηλής πίεσης στην έξοδο νερού του μηχανήματος.
2. Συνδέστε τη λαβή ψεκασμού στον εύκαμπτο σωλήνα υψηλής πίεσης. Πριν από τη λειτουργία του μηχανήματος, βεβαιωθείτε ότι ο εύκαμπτος σωλήνας υψηλής πίεσης έχει ξετυλιχθεί εντελώς. Κατά την διάρκεια λειτουργίας του μηχανήματος, ο λαστιχένιος σωλήνας δεν θα πρέπει να διπλωθεί ή να δεθεί.
3. Τοποθετήστε το ακροφύσιο ή οποιοδήποτε άλλο αξεσουάρ πρόκειται να χρησιμοποιήσετε.
4. Συνδέστε το μηχάνημα στις παροχές νερού και ηλεκτρικού ρεύματος.

Συνδέσεις και περιγραφή βασικών τμημάτων



Σχήμα 1.

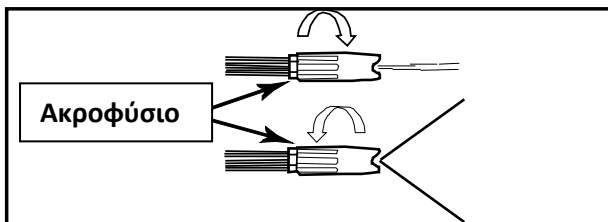
1. Πλυστικό μηχάνημα
2. Λάστιχο παροχής νερού
3. Παροχή νερού
4. Είσοδος νερού
5. Λάστιχο υψηλής πίεσης
6. Έξοδος νερού
7. Πιστόλι
8. Παροχή ηλεκτρικού ρεύματος

* Τα Νο. 2, 3, 8 δεν περιλαμβάνονται μαζί με το μηχάνημα.

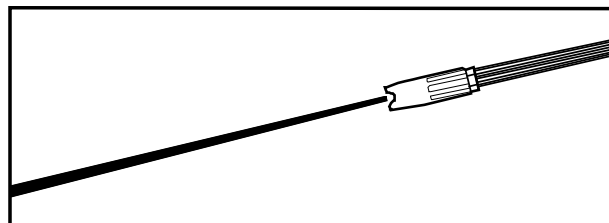
Αρχικές ρυθμίσεις και ενέργειες

Ρύθμιση του είδους ψεκασμού

Η γωνία ψεκασμού μπορεί να ρυθμιστεί σε ορισμένες κάνες περιστρέφοντας το ακροφύσιο. Αυτό θα μεταβάλλει τον τύπο του ψεκασμού ξεκινώντας από μια μικρής διαμέτρου δέσμη υψηλής πίεσης σε μια μεγάλη πλάτους δέσμη ψεκασμού χαμηλής πίεσης (βλέπε σχήμα 2).



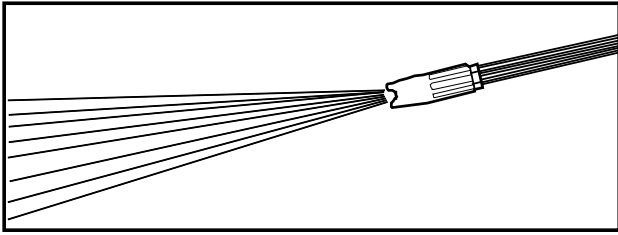
Σχήμα 2.



Σχήμα 3.

Η μικρής διαμέτρου δέσμη νερού έχει μεγάλη δύναμη κατά την επαφή της με την επιφάνεια καθαρισμού και έχει ως αποτέλεσμα τον βαθύ καθαρισμό σε μια συγκεντρωμένη περιοχή. Ωστόσο, αυτή η ρύθμιση ψεκασμού πρέπει να χρησιμοποιείται με προσοχή, καθώς ενδέχεται να προκαλέσει βλάβη σε ορισμένες επιφάνειες.

Η δέσμη μεγάλου πλάτους θα κατανέμει το νερό σε μια μεγαλύτερη επιφάνεια με μειωμένο κίνδυνο. Οι μεγάλες επιφάνειες μπορούν να καθαριστούν γρηγορότερα χρησιμοποιώντας αυτή την ρύθμιση.

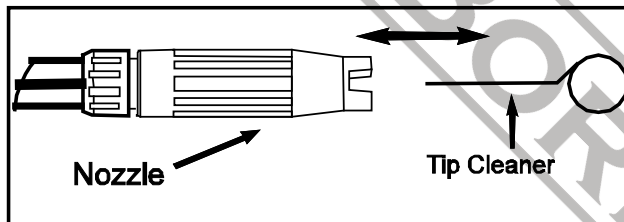


Σχήμα 4.

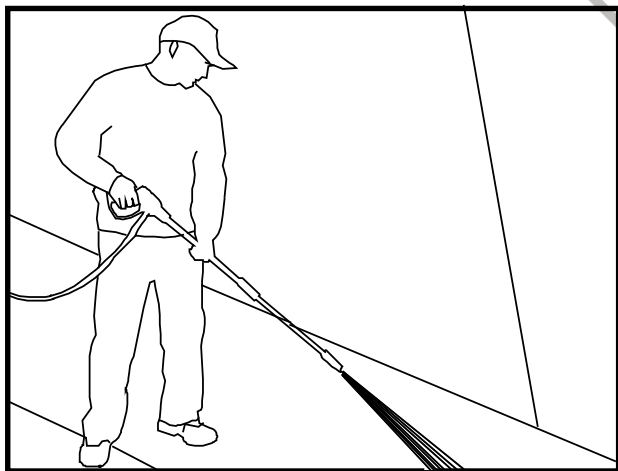
Οδηγίες καθαρισμού των ακροφυσίων

Ένα βουλωμένο ή μερικώς φραγμένο ακροφύσιο μπορεί να προκαλέσει σημαντική μείωση του νερού που βγαίνει από το ακροφύσιο και να προκαλέσει κραδασμούς στο μηχάνημα κατά τον ψεκάσμο. Για να καθαρίσετε το ακροφύσιο:

- Απενεργοποιήστε και αποσυνδέστε το μηχάνημα.
- Κλείστε την παροχή νερού. Αφαιρέστε οποιαδήποτε πίεση παγιδευμένη στον εύκαμπτο σωλήνα πιέζοντας 2-3 φορές την σκανδάλη του πιστολιού.
- Ξεχωρίστε την κάνη από το πιστόλι.
- Περιστρέψτε το ακροφύσιο στη ρύθμιση μικρής δέσμης.
- Χρησιμοποιήστε την βελόνα καθαρισμού ή ένα ξετυλιγμένο συνδετήρα χαρτιού, τοποθετώντας τη μέσα στην οπή του ακροφυσίου και μετακινήστε την εμπρός και πίσω μέχρι να απομακρυνθούν τα υπολείμματα (Βλέπε Σχήμα 5.).



Σχήμα 5.



Αφαιρέστε τα υπολείμματα εισάγοντας νερό με την αντίθετη κατεύθυνση μέσω του ακροφυσίου. Για να γίνει αυτό, τοποθετήστε το άκρο ενός λάστιχου κήπου (με τρεχούμενο νερό) στο άκρο του ακροφυσίου για 30-60 δευτερόλεπτα.

Γωνία ψεκάσμου στην επιφάνεια καθαρισμού

Όταν ψεκάζετε νερό σε μια επιφάνεια, η μέγιστη δύναμη εφαρμόζεται όταν το νερό χτυπά στην επιφάνεια κάθετα. Εντούτοις, αυτός η γωνία τείνει να προκαλέσει την εμφύτευση σωματιδίων ρύπων στην επιφάνεια, εμποδίζοντας έτσι την επιθυμητή δράση καθαρισμού.

Τα βέλτιστα αποτελέσματα επιτυγχάνονται υπό γωνία 45°.

Σχήμα 6.

Ο ψεκάσμος νερού μιας επιφάνειας υπό αυτή τη γωνία προσφέρει το καλύτερο αποτέλεσμα απομάκρυνσης των ρύπων από την επιφάνεια καθαρισμού.

Απόσταση από την επιφάνεια καθαρισμού

Ένας άλλος παράγοντας που καθορίζει τη δύναμη πρόσκρουσης του νερού είναι η απόσταση μεταξύ του ακροφυσίου ψεκάσμου και της επιφάνειας καθαρισμού. Η δύναμη πρόσκρουσης του νερού αυξάνεται καθώς το ακροφύσιο πλησιάζει στην επιφάνεια.

Πώς να αποφύγετε την πρόκληση φθοράς στις επιφάνειες καθαρισμού

Η φθορά στις επιφάνειες καθαρισμού συμβαίνει επειδή η δύναμη πρόσκρουσης του νερού υπερβαίνει τα όρια αντοχής της επιφάνειας. Η δύναμη κρούσης μπορεί να ρυθμιστεί μέσω των τριών προαναφερθέντων ενεργειών. Ποτέ μην χρησιμοποιείτε ένα μια δέσμη μικρής διαμέτρου ή ένα turbo / περιστροφικό ακροφύσιο σε μια ευαίσθητη επιφάνεια.

Αποφύγετε να ψεκάσετε τα παράθυρα με ρυθμίσεις υψηλής πίεσης, καθώς αυτό μπορεί να έχει ως αποτέλεσμα την θραύση τους. Για την αποφυγή πρόκλησης φθοράς στις επιφάνειες ακολουθήστε τα παρακάτω βήματα:

1. Πριν ενεργοποιήσετε το πιστόλι, ρυθμίστε το ακροφύσιο για ψεκασμό με μεγάλου πλάτους δέσμη.
2. Τοποθετήστε το ακροφύσιο περίπου 120 – 150 cm μακριά και υπό 45° από την επιφάνεια καθαρισμού και πιέστε την σκανδάλη.
3. Αλλάξτε τον τύπο ψεκασμού και την απόσταση από την επιφάνεια καθαρισμού μέχρι να επιτευχθεί βέλτιστη απόδοση καθαρισμού χωρίς να φθείρεται η επιφάνεια.

Ακροφύσιο Turbo (δεν περιλαμβάνεται σε όλα τα μοντέλα)

Ένα ακροφύσιο turbo, μερικές φορές αναφέρεται ως περιστρεφόμενο ακροφύσιο, είναι ένα πολύ αποτελεσματικό εξάρτημα που μπορεί να μειώσει σημαντικά τον χρόνο καθαρισμού. Το ακροφύσιο αυτό συνδυάζει την ισχύ μιας μικρής διαμέτρου και υψηλής πίεσης δέσμης και την αποτελεσματικότητα μιας δέσμης 25 μοιρών. Το ακροφύσιο αυτού του τύπου δημιουργεί έναν κώνο υψηλής πίεσης αυξάνοντας την καλυπτικότητα.

ΠΡΟΣΟΧΗ: Επειδή ένα ακροφύσιο turbo δημιουργεί δέσμη νερού υψηλής πίεσης θα πρέπει να χρησιμοποιείται μόνο σε εφαρμογές όπου η επιφάνεια καθαρισμού δεν μπορεί να υποστεί βλάβη λόγω της υψηλής πίεσης του νερού. Επιπλέον, το ακροφύσιο turbo ΔΕΝ ρυθμίζεται και δεν μπορεί να χρησιμοποιηθεί για την εφαρμογή απορρυπαντικού.

Απορρυπαντικά

Η χρήση απορρυπαντικών μπορεί να μειώσει σημαντικά το χρόνο καθαρισμού και να βοηθήσει στην απομάκρυνση δύσκολων λεκέδων. Ορισμένα απορρυπαντικά είναι σχεδιασμένα για χρήση με πλυστικά μηχανήματα και την εκτέλεση συγκεκριμένων εργασιών καθαρισμού. Το ιξώδες αυτών των απορρυπαντικών είναι ίσο με αυτό του νερού. Η χρήση πιο παχύρρευστων απορρυπαντικών, όπως είναι το υγρό σαπούνι πιάτων, θα φράξει το σύστημα έγχυσης και θα εμποδίσει την εφαρμογή του απορρυπαντικού.

Η ικανότητα καθαρισμού των απορρυπαντικών μπορεί να ελεγχθεί εφαρμόζοντάς τα σε μια επιφάνεια καθαρισμού και περιμένοντας για ένα συγκεκριμένο χρονικό διάστημα να διασπάσουν τους ρύπους. Τα απορρυπαντικά λειτουργούν καλύτερα όταν εφαρμόζονται σε χαμηλή πίεση.

Ο συνδυασμός της χημικής δράσης και της έκπλυσης υψηλής πίεσης είναι πολύ αποτελεσματικός. Σε κάθετες επιφάνειες, εφαρμόστε το απορρυπαντικό ξεκινώντας από το κάτω μέρος και εργάζεστε προς τα πάνω. Αυτό θα εμποδίσει το απορρυπαντικό να κυλήσει προς τα κάτω και να προκαλέσει ραβδώσεις. Το ξέπλυμα υψηλής πίεσης πρέπει επίσης να πραγματοποιηθεί από κάτω προς τα πάνω. Σε ιδιαίτερα επίμονους λεκέδες, μπορεί να χρειαστεί να χρησιμοποιήσετε μια βούρτσα σε συνδυασμό με απορρυπαντικά και εκπλύσεις υψηλής πίεσης.

Περιγραφή βασικής λειτουργίας

Η ακόλουθη διαδικασία καθαρισμού θα σας βοηθήσει να οργανώσετε την εργασία καθαρισμού σας και να διασφαλίσετε ότι θα έχετε τα καλύτερα αποτελέσματα στο συντομότερο δυνατό χρονικό διάστημα.

Θυμηθείτε να χρησιμοποιήσετε τις τεχνικές ψεκασμού / καθαρισμού που αναφέρονται προηγουμένως.

1. Προετοιμασία της επιφάνειας

Πριν ξεκινήσετε μια εργασία καθαρισμού πλυσίματος υπό πίεση, είναι σημαντικό να προετοιμάσετε την επιφάνεια που πρόκειται να καθαριστεί. Αυτό γίνεται με την διευθέτηση του χώρου, των επίπλων και εξασφαλίζοντας ότι όλα τα παράθυρα και οι πόρτες είναι κλειστά. Επιπλέον, πρέπει να βεβαιωθείτε ότι όλα τα φυτά και τα δέντρα που βρίσκονται κοντά στην περιοχή καθαρισμού προστατεύονται από ένα κάλυμμα. Αυτό θα διασφαλίσει ότι τα φυτά σας δεν θα ψεκαστούν με απορρυπαντικό.

2. Αρχικό ξέβγαλμα υψηλής πίεσης

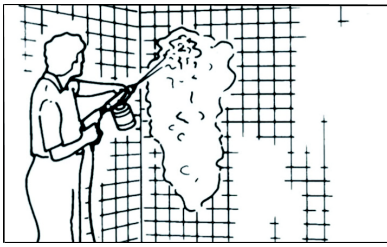
Το επόμενο βήμα είναι να ψεκάσετε την επιφάνεια καθαρισμού με νερό για να απομακρύνετε τυχόν ακαθαρσίες ή ρύπους που μπορεί να έχουν επικολληθεί στην επιφάνεια. Αυτό θα επιτρέψει στο απορρυπαντικό σας να επιτεθεί στους επίμονους ρύπους που βρίσκονται στην επιφάνεια καθαρισμού. Πριν πιέσετε την σκανδάλη, ρυθμίστε το ακροφύσιο σε δέσμη μεγάλου πλάτους και ρυθμίστε αργά στην επιθυμητή ρύθμιση ψεκασμού. Αυτό θα σας βοηθήσει να αποφύγετε τον ψεκασμό υψηλής πίεσης στην επιφάνεια, η οποία μπορεί να προκαλέσει φθορά.

3. Εφαρμογή απορρυπαντικού

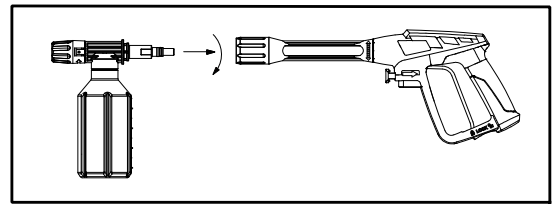
ΧΡΗΣΙΜΟΠΟΙΗΣΤΕ ΤΙΣ ΟΔΗΓΙΕΣ ΠΟΥ ΧΡΗΣΙΜΟΠΟΙΟΥΝΤΑΙ ΓΙΑ ΤΟ ΑΓΑΛΜΑΤΙΣΜΕΝΟ ΜΟΝΤΕΛΟ

ΣΗΜΕΙΩΣΗ: Χρησιμοποιείτε μόνο απορρυπαντικά που έχουν συνταχθεί για πλύσεις υπό πίεση.

ΣΗΜΕΙΩΣΗ: Πριν τη χρήση, δοκιμάστε το απορρυπαντικό σε μια δυσδιάκριτη περιοχή.



Σχήμα 7.



Σχήμα.8

Οδηγίες για πλυστικά μηχανήματα με εξάρτημα εφαρμογής απορρυπαντικού (Δεν περιλαμβάνεται σε όλα τα μοντέλα)

Ακολουθήστε τις οδηγίες της ετικέτας του κατασκευαστή για την ανάμιξη ακολουθώντας την σωστή αναλογία απορρυπαντικού – νερού. Η ανάμιξη του απορρυπαντικού μέσω του μηχανήματος πλύσης πίεσης είναι περίπου 5,4% (1 έως 19).

1. Ξεβιδώστε το καπάκι του δοχείου απορρυπαντικού και γεμίστε το με απορρυπαντικό.
2. Επανατοποθετήστε το καπάκι στο δοχείο.
3. Αφαιρέστε την κάνη από το πιστόλι.
4. Συνδέστε το εξάρτημα εφαρμογής απορρυπαντικού στο πιστόλι. (Βλέπε Σχήμα 8)
5. Εφαρμόστε απορρυπαντικό έτσι ώστε να καλύπτει πλήρως την επιφάνεια καθαρισμού. Εφαρμόστε από κάτω προς τα πάνω για να αποφύγετε το γλίστρημα του απορρυπαντικού προς τα κάτω και τη δημιουργία ραβδώσεων.
6. Αφήστε το απορρυπαντικό να παραμείνει στην επιφάνεια για λίγα λεπτά. Αυτή είναι μια καλή στιγμή για να χρησιμοποιήσετε μια βούρτσα για να καθαρίσετε με προσοχή τις ιδιαίτερα λερωμένες περιοχές. Ποτέ μην αφήνετε το απορρυπαντικό να στεγνώσει στην επιφάνεια καθαρισμού.
7. Αφαιρέστε το εξάρτημα εφαρμογής απορρυπαντικού από το πιστόλι και αντικαταστήστε την κάνη ή αφαιρέστε το εξάρτημα από το άκρο της λαβής.
8. Ξεπλύνετε το απορρυπαντικό από την επιφάνεια.

ΣΗΜΕΙΩΣΗ: Ξεπλύνετε το απορρυπαντικό με καθαρό νερό μετά από κάθε χρήση.

4. Τελικό ξέβγαλμα

Ξεκινήστε το τελικό ξέβγαλμα από κάτω προς τα πάνω. Βεβαιωθείτε ότι ξεπλύνετε προσεκτικά την επιφάνεια και ότι έχει αφαιρεθεί όλο το απορρυπαντικό.

5. Απενεργοποίηση και αποσύνδεση

1. Βεβαιωθείτε ότι όλη η ποσότητα απορρυπαντικού έχει απομακρυνθεί από το σύστημα και τα τμήματα του εξοπλισμού.
2. Απενεργοποιήστε το μοτέρ.
3. Διακόψτε την παροχή νερού.
4. Αφού απενεργοποιήσετε τον κινητήρα και διακόψετε την παροχή νερού, πιέστε την σκανδάλη του πιστολιού για να αποσυμπιεστεί το σύστημα.

ΠΡΟΣΟΧΗ: ΠΟΤΕ μην διακόπτετε την παροχή νερού προτού απενεργοποιήσετε τον κινητήρα. Μπορεί να προκληθεί σοβαρή βλάβη στην αντλία και / ή στον κινητήρα.

ΠΡΟΕΙΔΟΠΟΙΗΣΗ! Ποτέ μην αποσυνδέετε το λάστιχο υψηλής πίεσης από το μηχανήμα, ενώ το σύστημα βρίσκεται υπό πίεση. Για να αποσυμπιέσετε το σύστημα, απενεργοποιήστε τον κινητήρα, διακόψτε την παροχή νερού και πιέστε την σκανδάλη του πιστολιού 2-3 φορές.

5. Μετά από κάθε χρήση, σκουπίστε όλες τις επιφάνειες του μηχανήματος με ένα καθαρό, νοτισμένο πανί.

6. Αποθήκευση

Μην αποθηκεύετε το πλυστικό μηχανήμα σε εξωτερικούς χώρους.

Μην αποθηκεύετε τον πλυστικό μηχανήμα σε χώρους όπου μπορεί να παγώσει λόγω χαμηλής θερμοκρασίας περιβάλλοντος.

Συμβουλές για την παράταση της διάρκειας ζωής του πλυστικού πίεσης

1. Μη χρησιμοποιείτε ποτέ το μηχάνημα χωρίς να τροφοδοτείται με νερό.
2. Το πλυστικό αυτό μηχάνημα δεν είναι σχεδιασμένο και δεν προορίζεται για άντληση ζεστού νερού. Ποτέ μην συνδέετε το μηχάνημα με την παροχή ζεστού νερού - αυτό θα μειώσει σημαντικά τη διάρκεια ζωής της αντλίας.
3. Σε περίπτωση που χρησιμοποιήσετε άλλο απορρυπαντικό από αυτό που προτείνει ο κατασκευαστής να γνωρίζετε πως ενδέχεται να προκληθεί βλάβη στα εξαρτήματα της αντλίας (O-Ring, κ.λπ.). Αυτό ισχύει επίσης και για τα χημικά όπως είναι τα λευκαντικά, το σαπούνι για πιάτα κ.λπ.
4. Μη χρησιμοποιείτε ποτέ το μηχάνημα για περισσότερο από ένα (1) λεπτό χωρίς ψεκασμό νερού. Η αύξηση της θερμοκρασία θα προκαλέσει βλάβη στην αντλία.
5. Πριν ρυθμίσετε την πίεση του ακροφυσίου (υψηλή - χαμηλή ή χαμηλή - υψηλή) απελευθερώστε την σκανδάλη. Σε αντίθετη περίπτωση, θα μειωθεί η διάρκεια ζωής των O- Ring του πιστολιού.

Αντιμετώπιση πιθανών προβλημάτων

Περιγραφή προβλήματος	Πιθανή αιτία	Αντιμετώπιση
Το μηχάνημα δεν ξεκινά να λειτουργεί.	<ol style="list-style-type: none"> 1. Υπάρχει εγκλωβισμένη πίεση στο σύστημα. 2. Το φιν δεν είναι σωστά συνδεδεμένο ή η πρίζα έχει υποστεί κάποια βλάβη. 3. Το καλώδιο προέκτασης είναι πολύ μακρύ ή οι αγωγοί του έχουν πολύ μικρή διάμετρο. 4. Η τάση του δικτύου παροχής είναι πολύ μικρή. 5. Έχει ενεργοποιηθεί ο θερμικός διακόπτης προστασίας. 	<ol style="list-style-type: none"> 1. Πιέστε την σκανδάλη του πιστολιού. 2. Ελέγξτε την κατάσταση του φιν, της πρίζας και της ασφάλειας. 3. Αποσυνδέστε το καλώδιο προέκτασης. 4. Βεβαιωθείτε πως η τάση της παροχής είναι κατάλληλη για την λειτουργία του μηχανήματος. 5. Απενεργοποιήστε το μηχάνημα περιμένετε μέχρι να κρυώσει ο κινητήρας του.
Η αντλία δεν μπορεί να δημιουργήσει την απαιτούμενη πίεση.	<ol style="list-style-type: none"> 1. Το φίλτρο εισόδου είναι φραγμένο. 2. Υπάρχουν κενά μεταξύ των εξαρτημάτων σύνδεσης με αποτέλεσμα η αντλία να αναρροφά αέρα από τα σημεία αυτά. 3. Το ακροφύσιο έχει φθαρεί ή δεν έχει το σωστό μέγεθος. 4. Ο ρυθμιστής πίεσης είναι φραγμένος ή φθαρμένος. 5. Οι βαλβίδες είναι φραγμένες ή φθαρμένες. 	<ol style="list-style-type: none"> 1. Καθαρίστε το φίλτρο εισόδου. 2. Ελέγξτε την στεγανότητα των ενώσεων και των συνδέσμων. 3. Καλέστε τον προμηθευτή σας για περαιτέρω πληροφορίες. 4. Καλέστε τον προμηθευτή σας για περαιτέρω πληροφορίες.
Ο κινητήρας σταματά την λειτουργία του ξαφνικά.	<ol style="list-style-type: none"> 1. Το καλώδιο προέκτασης είναι πολύ μακρύ ή οι αγωγοί του έχουν μικρή διάμετρο. 2. Έχει ενεργοποιηθεί ο θερμικός διακόπτης προστασίας λόγω υπερθέρμανσης. 	<ol style="list-style-type: none"> 1. Αποσυνδέστε το καλώδιο προέκτασης. 2. Βεβαιωθείτε πως η τάση της παροχής είναι κατάλληλη για την λειτουργία του μηχανήματος σύμφωνα με τα τεχνικά χαρακτηριστικά.

