

# BORMANN®



## BPG9100

042532



[WWW.BORMANNTOOLS.COM](http://WWW.BORMANNTOOLS.COM)

**2 YEARS**  
WARRANTY

## General safety instructions

**Warning!** When using electric tools, basic safety precautions, including the following, should always be followed to reduce the risk of fire, electric shock and personal injury. Read all these instructions before operating this product and save these instructions. For safe operations:

### 1. Work area

- Keep work area clean and well lit. Cluttered and dark areas invite accidents.
- Consider work area environment. Do not expose power tools to rain. Do not use power tools in damp or wet locations. Keep work area well lit. Do not use power tools where there is risk to cause fire or explosion.
- Do not operate power tools in explosive atmospheres, such as in the presence of flammable liquids, gasses or dust. Power tools create sparks which may ignite the dust of fumes.
- Keep children away. Do not let visitors touch the tool or extension cord. All visitors should be kept away from area.

### 2. Electrical safety

- Power tool plugs must match the outlet. Never modify the plug in any way. Do not use any adapter plugs which earthed (grounded) power tools. Unmodified plugs and matching outlets will reduce risk of electric shock.
- Guard against electric shock. Avoid body contact with earthed or grounded surfaces such as pipes, radiators, ranges and refrigerators. There is an increased risk of electric shock if your body is earthed or grounded.
- Do not expose power tools to rain or wet conditions. Water entering a power tool will increase the risk of electric shock.
- Do not abuse the cord. Never use the cord for carrying, pulling or unplugging the power tool. Keep cord away from heat, oil, sharp edges or moving parts. Damaged or entangled cords increase the risk of electric shock.
- When operating a power tool outdoors, use an extension cord suitable for outdoor use. Use of a cord suitable for outdoor use reduces the risk of electric shock. Always use tool in conjunction with a residual circuit breaker device.

### 3. Personal safety

- Stay alert, watch what you are doing and use common sense when operating a power tool. Do not use a power tool while you are tired or under the influence of drugs, alcohol or medication. A moment of inattention while operating power tools may result in serious personal injury.
- Use safety equipment. Always wear eye protection. Safety equipment such as dust mask, non-skid safety shoes, hard hat, or hearing protection used for appropriate conditions will reduce personal injuries.
- Avoid accidental starting. Ensure the switch is in the off position before plugging in. Carrying power tools with your finger on the switch or plugging in power tools that have the switch on invites accidents.
- Remove any adjusting key or wrench before turning the power tool on. A wrench or a key left attached to a rotating part of the power tool may result in personal injury.
- Do not overreach. Keep proper footing and balance at all times. This enables better control of the power tool in unexpected situations.
- Dress properly. Do not wear loose clothing or jewellery, they can be caught in moving parts. Rubber gloves and nonskid footwear are recommended when working outdoors. Wear protecting hair covering to contain long hair.
- If devices are provided for the connection of dust extraction and collection facilities, ensure these are connected and properly used. Use of these devices can reduce dust related hazards.
- Use clamps or a vice to hold work. It's safer than using your hand and it frees both hands to operate tool.

### 4. Power tool use and care

- Do not force the tool. It will do the job better and safer at the rate for which it was intended.
- Do not use the power tool if the switch does not turn it on and off. Any power tool that cannot be controlled with the switch is dangerous and must be repaired.
- Disconnect the plug from the power source before making any adjustments, changing accessories, or storing power tools. Such preventive safety measures reduce the risk of starting the power tool accidentally.
- Store idle tools. When not in use, tools should be stored in a dry, high or locked up place, out of reach of children.
- Maintain power tools. Check for misalignment or binding of moving parts, breakage of parts and any other condition that may affect the power tools operation. If damaged, have the power tool repaired before use. Many accidents are caused by poorly maintained power tools.
- Keep cutting tools sharp and clean. Properly maintained cutting tools with sharp cutting edges are less likely to bind and are easier to control.
- Use the right tool. Do not force small tools or attachments to do the job of a heavy duty tool. Do not use tools for purpose not intended; for example, do not use circular saws to cut tree limbs or logs.
- Damaged switches must be replaced at a customer service repair centre. Do not use power tools that cannot be switched on and off.
- Do not leave power tools unattended while they are switched on. Always switch off the tool and wait until it has come to a full standstill before leaving.
- If the mains cable has been damaged, it must be replaced with a special mains cable. These can be obtained from the manufacturer or the manufacturer's customer service department. The mains cable may only be replaced by the manufacturer, the manufacturer's customer service department or equally qualified persons.

### 5. Service

- Please use a qualified expert who uses original replacement parts to repair your power tool. This will ensure proper functioning of the power tool.
- Caution! The use of any accessories or additional tools other than those recommended in this manual may lead to an increased risk of injury. Only use original replacement parts.

## Additional safety instructions

- NEVER SPRAY AT PERSONS - Never aim the nozzle at another person or animal. Never allow the spray to come into direct contact with the skin.
- FLASH POINT - This spray gun must not be used for spraying flammable paints and solvents with a flash point of less than 21 °C
- VENTILATION - Always make sure that there is adequate ventilation in the work area when spraying.
- BASKET NOZZLE - Always keep the spray basket nozzle in place during use.
- CONSIDER WORK AREA ENVIRONMENT - Do not use spray guns where there is a risk of fire or explosion.

- BEWARE OF ANY HAZARD -Beware of any Hazard by the material being sprayed and consult the markings on the container or the information supplied by the manufacturer.
- DO NOT SPRAY - Do not spray any material where the hazard is not known.
- USE EYE PROTECTION - Always use appropriate eye protection to keep hazardous vapors or fumes out of the eyes.
- WEAR A MASK - Never operate a spray gun without wearing a face mask.
- PROTECT YOUR EARS -Wear ear protectors if the sound pressure exceeds 85 dB(A).
- MAINTAIN YOUR TOOLS - Keep your spray gun, paint container and nozzles clean. Do not clean with flammable liquids with a flash point less than 21 °C Inspect the mains lead periodically and if damaged have it replaced by a qualified person.
- NAKED FLAMES -Never spray near a naked flame or appliance pilot flame.
- SMOKING -Never smoke whilst spraying.
- THINNING - Always read the paint manufacturers thinning recommendations or instructions before using paint or other materials.
- DISCONNECT FROM THE MAINS SUPPLY - Always disconnect from the mains supply when filling the paint container or cleaning the spray gun.
- SWITCH OFF WHEN NOT SPRAYING -Avoid running the unit with the flow rate knob fully closed for any length of time.

**If the supply cord is damaged, it must be replaced by a special cord or assembly available from the manufacturer or its service agent.**

**Intended use**

**Coating Materials Suitable for Use**

Water- and solvent-based paints, finishes, primers, 2-component paints, clear finishes, automotive finishes, staining sealers and wood sealer-preservatives.

**Coating Materials Not Suitable for Use**

Wall paints (emulsion paints) etc., alkali and acidic paints.

**Sound & vibration properties**

Sound pressure level  $L_{PAQ}$ : 84,0 dB (A), K=3 dB(A)

Sound power level  $L_{wa}$ : 95,0 dB(A), K=3 dB(A)

Vibration emission: <2,5 m/s<sup>2</sup>, K=1,5 m/s<sup>2</sup>

Double insulation

Main Technical Data	
Model	BPG9100
Rated Power Input	800 Watt
Rated Voltage - Frequency	220 - 240 V (~) - 50 Hz
Paint Reservoir	800 ml
Max. Flow	900 ml/min
Max. Viscosity	80 din/sec
Cable length	2,0 m
Including:	1 pc viscosity measuring cup, 1 pc 1,8 m hose, 1 pc shoulder belt & 1 pc Ø 2,6 mm nozzle

**Use**

**1. Preparing the Coating Material**

Before spraying, the material being used may need to be thinned with the proper solvent as specified by the material manufacturer.



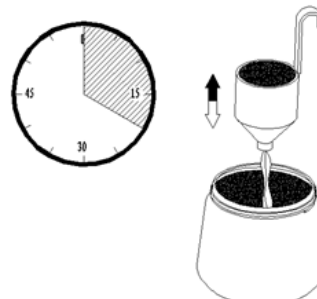
**Never exceed the thinning advice given by the coating manufacturer.**

Note: Material to be sprayed should always be strained to remove any impurities in the paint which may enter and clog the system. Impurities in the paint will give poor performance and a poor finish.

**Thinning chart:**

Material	Runout Time (seconds)
Oil enamel	25 - 45
Oil based primer	30 -50
Varnish	20 -55
Lacquer / lacquer sanding sealer	25 - 40
Oil stain	No thinning required
Polyurethane	No thinning required
Material flash point must be 21° C or higher	

Fig. 1



> Hold the test cup up and measure the time in seconds until the liquid empties out. This time is called "Runout Time in Seconds".

**Note :** stir the spraying material thoroughly before measuring and fill into the canister.

## 2. Start-up

Before connecting to the mains supply, be sure that the supply voltage is identical with the value given on the rating plate.

1. Mounting air hose. Insert the air hose coupler tightly in the connections on the machine and the spray gun.
2. Unscrew the container from the spray gun, aligning suction tube. The container contents are to be sprayed out almost completely. When spraying horizontal surfaces, turn suction tube forward (A). When spraying objects overhead, turn suction tube back (B).
3. Pour in the prepared coating material and screw the container tightly onto the spray gun.
4. Put the machine down only on a level, clean surface. Otherwise the machine could suck in dust, etc.
5. Adjust the spray setting on the spray gun. Three different spray jet settings can be chosen on the spray gun, depending on the application and target object.

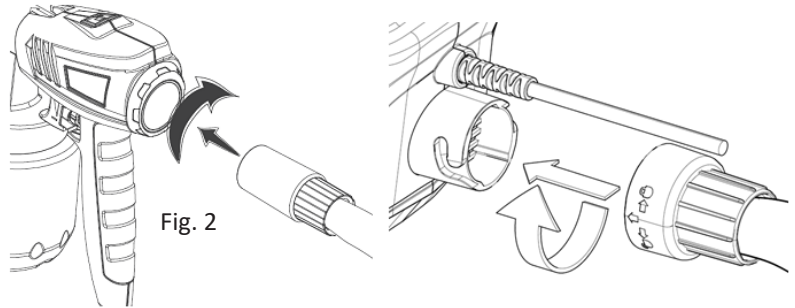


Fig. 2

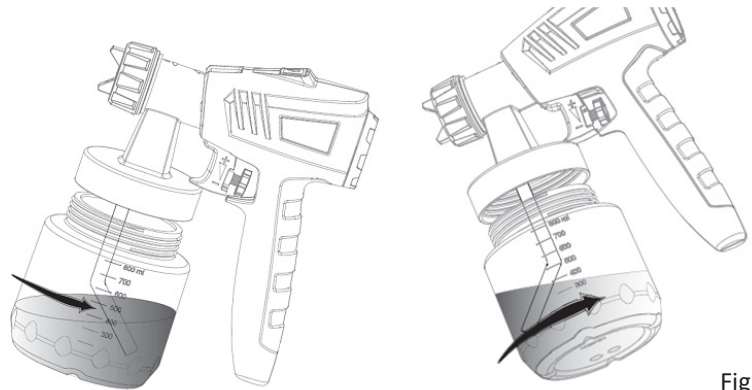
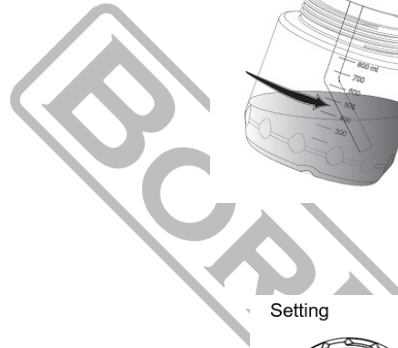
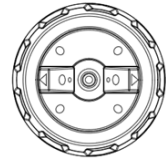
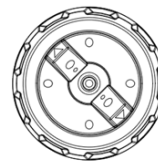
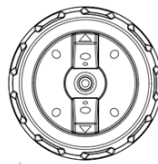


Fig. 3



Setting



Three different spray jet settings can be chosen on the spray gun, depending on the application and target object.

Spray pattern



Fig. 4

6. Push the ON / OFF switch on the machine and start painting.

7. Adjusting the material volume

Set the material volume by turning the regulator knob on the trigger.

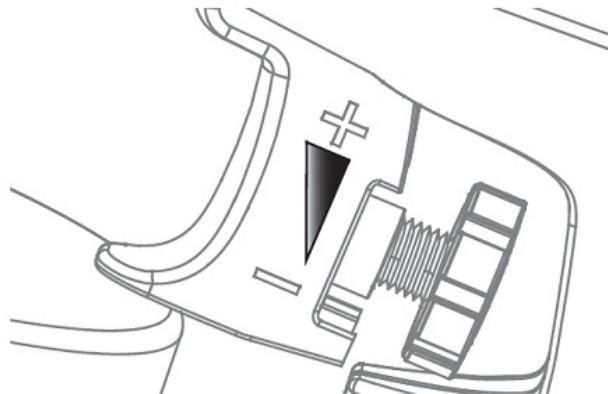


Fig. 5

### 3. Spray Technique

- The spray result depends heavily on the smoothness and cleanliness of the surface to be sprayed. Therefore the surface should be carefully prepared and kept free of dust.
- Cover all surfaces not to be sprayed.
- Cover screw threads or similar parts of the target object.
- It is advisable to test the spray gun on cardboard or a similar surface to find the correct setting. Important: Begin spraying outside of the target area and avoid interruptions inside the target area.
- Correct (Fig. 6 a) Be sure to hold the spray gun at an even distance of approx. 10- 30 cm to the target object.
- Incorrect (Fig. 6 b) · Heavy spray fog build-up, uneven surface quality.
- An even movement of the spray gun results in an even surface quality.
- When coating material builds up on the nozzle (A) and air cap (B) (Fig.7), clean both parts with a solvent or water.

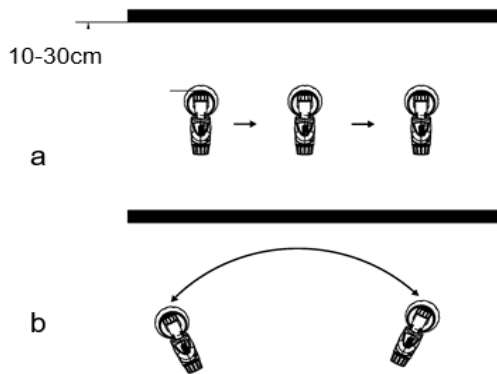


Fig. 6

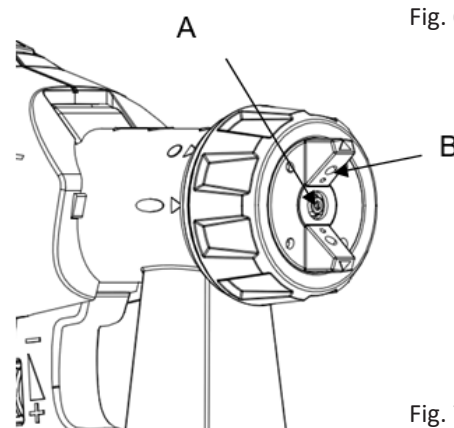


Fig. 7

#### Interruption of Work

- Turn the machine off.
- Put the spray gun in the spray gun holder.

#### Taking Out of Operation and Cleaning

1. Turn the machine off. Activate the trigger guard so that the coating material in the spray gun flows back into the container.
2. Unscrew the container. Empty any remaining coating material back into the material tin.
3. Pre-clean the container and feed tube with a brush.
4. Pour solvent or water into the container. Screw the container back on.

#### Use only solvents with a flashpoint over 21°C

5. Turn on the machine and spray the solvent or water into a container or a cloth.
6. Repeat the above procedure until the solvent or water emerging from the nozzle is clear.
7. Turn the machine off.
8. Then empty the container completely. Always keep the container seal free of coating material residue and check for damage.
9. Press down the quick release button and pull out the front part of the spray gun. Clean it thoroughly.
10. Clean the outside of the spray gun and container with a cloth soaked in solvent or water.
11. Unscrew the union nut and remove the air cap and nozzle. Clean the air cap and nozzle with a brush and solvent or water.

#### Caution:

**Never clean nozzle or air holes in the spray gun with sharp metal objects !**

Press down the button and pull out

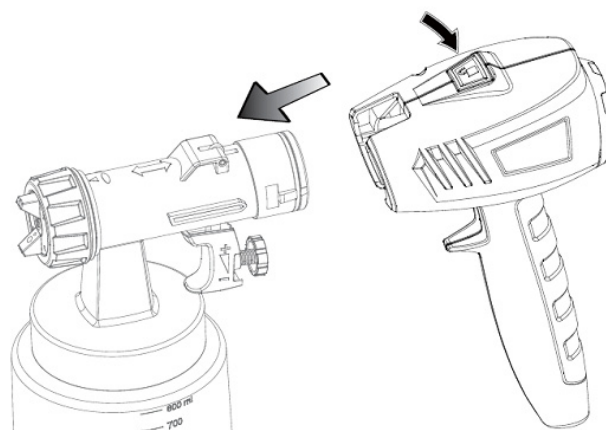


Fig. 8



**Maintenance**

**1. Change the air filter**

Change the air filter if it is soiled. Release the cover fastening from the machine, place the air filter in the cover. Push the cover back onto the machine.

**WARNING! Never operate the machine without the air filter; dirt could be sucked in and interfere with the function of the machine.**

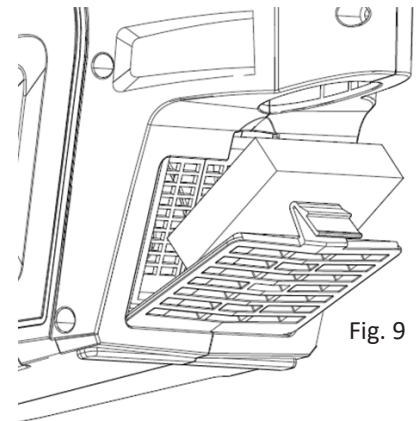


Fig. 9

**2. Correction of Malfunctions**

Troubleshooting		
Problem	Cause	Remedy
No coating material emerges from the nozzle	Nozzle clogged Feed tube clogged Material volume setting turned too far to the downside (-) Feed tube loose No pressure build-up in container Viscosity of coating material too high	Clean Clean Turn to the upside (+) Insert Tighten container Thin the paint
Coating material drips from the nozzle	Nozzle loose Nozzle worn Coating material assembly at air cap, nozzle or needle	Tighten nozzle Change nozzle Clean
Atomisation too coarse	Viscosity of coating material too high Material volume too large  Nozzle contaminated Air filter heavily soiled Too little pressure build-up in container	Thin Turn material volume adjusting screw to the downside (-) Clean Change Tighten container

**Environmental protection**

The appliance and accessories should be recycled in an environmentally friendly way. Do not dispose of the appliance with household waste. Support environmental protection by taking the appliance to a local collection point or obtain information from a specialist retailer.



\* The manufacturer reserves the right to make minor changes to product design and technical specifications without prior notice unless these changes significantly affect the performance and safety of the products. The parts described / illustrated in the pages of the manual that you hold in your hands may also concern other models of the manufacturer's product line with similar features and may not be included in the product you just acquired.

\* Please note that our equipment has not been designed for use in commercial, trade or industrial applications. Our warranty will be voided if the machine is used in commercial, trade or industrial businesses or for equivalent purposes.

\* To ensure the safety and reliability of the product and the warranty validity, all repair, inspection, repair or replacement work, including maintenance and special adjustments, must only be carried out by technicians of the authorized service department of the manufacturer.

\* Always use the product with the supplied equipment. Operation of the product with non-provided equipment may cause malfunctions or even serious injury or death. The manufacturer and the importer shall not be liable for injuries and damages resulting from the use of non-conforming equipment.

## Γενικές Οδηγίες Ασφαλείας

**Προειδοποίηση!** Κατά τη χρήση ηλεκτρικών εργαλείων, πρέπει πάντα να τηρούνται οι βασικές προφυλάξεις ασφαλείας, συμπεριλαμβανομένων των παρακάτω, για να μειωθεί ο κίνδυνος πυρκαγιάς, ηλεκτροπληξίας και τραυματισμού. Διαβάστε όλες αυτές τις οδηγίες πριν από τη λειτουργία του προϊόντος και φυλάξτε τις οδηγίες αυτές για μελλοντική αναφορά ή για χρήση τρίτων. Για ασφαλείς λειτουργίες:

### 1. Χώρος εργασίας

- Διατηρείτε την περιοχή εργασίας καθαρή και καλά φωτισμένη. Οι ακατάστατοι και σκοτεινοί χώροι αποτελούν αιτία ατυχημάτων.
- Επιθεωρήστε το περιβάλλον του χώρου εργασίας. Μην εκθέτετε τα ηλεκτρικά εργαλεία στη βροχή. Μην χρησιμοποιείτε ηλεκτρικά εργαλεία σε υγρές ή βρεγμένες τοποθεσίες. Διατηρείτε τον χώρο εργασίας καλά φωτισμένο. Μην χρησιμοποιείτε ηλεκτρικά εργαλεία σε χώρους όπου υπάρχει κίνδυνος πρόκλησης πυρκαγιάς ή έκρηξης.
- Μην χρησιμοποιείτε ηλεκτρικά εργαλεία σε εκρηκτικές ατμόσφαιρες, όπως παρουσία εύφλεκτων υγρών, αερίων ή σκόνης. Τα ηλεκτρικά εργαλεία δημιουργούν σπινθήρες που μπορεί να αναφλέξουν τη σκόνη των αναθυμιάσεων.
- Κρατήστε τα παιδιά σε απόσταση. Μην επιτρέπετε σε παρευρισκόμενους να αγγίζουν το εργαλείο ή το καλώδιο επέκτασης. Όλοι οι παρευρισκόμενοι πρέπει να κρατούνται μακριά από την περιοχή.

### 2. Ηλεκτρική ασφάλεια

- Τα βύσματα των ηλεκτρικών εργαλείων πρέπει να ταιριάζουν με την πρίζα. Ποτέ μην τροποποιείτε το βύσμα με οποιονδήποτε τρόπο. Μην χρησιμοποιείτε βύσματα προσαρμογής (αντάπτορες) γειωμένα σε ηλεκτρικά εργαλεία. Τα μη τροποποιημένα βύσματα και αντίστοιχα επιλεγμένες πρίζες μειώνουν τον κίνδυνο ηλεκτροπληξίας.
- Προστατευτείτε από ηλεκτροπληξία. Αποφύγετε την επαφή του σώματος με γειωμένες επιφάνειες, όπως σωλήνες, θερμαντικά σώματα, εστίες και ψυγεία. Υπάρχει αυξημένος κίνδυνος ηλεκτροπληξίας εάν το σώμα σας είναι γειωμένο.
- Μην εκθέτετε τα ηλεκτρικά εργαλεία στη βροχή ή σε υγρές συνθήκες. Η είσοδος νερού σε ένα ηλεκτρικό εργαλείο αυξάνει τον κίνδυνο ηλεκτροπληξίας.
- Μην κακομεταχειρίζεστε το καλώδιο. Ποτέ μη χρησιμοποιείτε το καλώδιο για μεταφορά, τράβηγμα ή αποσύνδεση του ηλεκτρικού εργαλείου. Κρατήστε το καλώδιο μακριά από πηγές θερμότητας, έλαια, αιχμηρές άκρες ή κινούμενα μέρη. Κατεστραμμένα ή μπλεγμένα καλώδια αυξάνουν τον κίνδυνο ηλεκτροπληξίας.
- Όταν χρησιμοποιείτε ένα ηλεκτρικό εργαλείο σε εξωτερικό χώρο, χρησιμοποιήστε ένα καλώδιο επέκτασης κατάλληλο για εξωτερική χρήση. Η χρήση καλωδίου κατάλληλου για εξωτερική χρήση μειώνει τον κίνδυνο ηλεκτροπληξίας. Χρησιμοποιείτε πάντα το εργαλείο σε συνδυασμό με μια διάταξη προστασίας έναντι ρεύματος διαρροής.

### 3. Προσωπική ασφάλεια

- Να είστε πάντοτε σε εγρήγορση, προσέχετε τι κάνετε και να χρησιμοποιείτε την κοινή λογική όταν χειρίζεστε ένα ηλεκτρικό εργαλείο. Μην χρησιμοποιείτε ένα ηλεκτρικό εργαλείο όταν είστε κουρασμένοι ή βρίσκεστε υπό την επήρεια ουσιών, αλκοόλ ή φαρμάκων. Μια στιγμή απροσεξίας κατά το χειρισμό ηλεκτρικών εργαλείων μπορεί να οδηγήσει σε σοβαρό προσωπικό τραυματισμό.
- Χρησιμοποιείτε εξοπλισμό ασφαλείας. Φοράτε πάντα προστατευτικά για τα μάτια. Ο εξοπλισμός ασφαλείας, όπως η μάσκα σκόνης, τα αντιολισθητικά παπούτσια ασφαλείας, κράνος ή το προστατευτικό ακοής που χρησιμοποιείται για τις κατάλληλες συνθήκες, μειώνουν τους προσωπικούς τραυματισμούς.
- Αποφύγετε την τυχαία εκκίνηση. Βεβαιωθείτε ότι ο διακόπτης εκκίνησης βρίσκεται στη θέση απενεργοποίησης πριν συνδέσετε το μηχανήμα στην πρίζα. Η μεταφορά ηλεκτρικών εργαλείων με το δάχτυλο στο διακόπτη ή η σύνδεση ηλεκτρικών εργαλείων που έχουν το διακόπτη ενεργοποιημένο αποτελεί συνήθη αιτία σοβαρών ατυχημάτων.
- Αφαιρέστε οποιοδήποτε κλειδί ρύθμισης ή γενικών κλειδί πριν ενεργοποιήσετε το ηλεκτρικό εργαλείο. Ένα κλειδί που παραμένει συνδεδεμένο σε ένα περιστρεφόμενο μέρος του ηλεκτρικού εργαλείου μπορεί να προκαλέσει τραυματισμό.
- Μην υπερβάλλετε. Διατηρείτε πάντα σωστό πάτημα και την ισορροπία σας. Αυτό επιτρέπει τον καλύτερο έλεγχο του ηλεκτρικού εργαλείου σε απροσδόκητες καταστάσεις.
- Να ντύνεστε σωστά. Μη φοράτε φαρδιά ρούχα ή κοσμήματα, μπορεί να πιαστούν σε κινούμενα μέρη. Συνιστάται η χρήση ελαστικών γαντιών και αντιολισθητικών υποδημάτων όταν εργάζεστε σε εξωτερικούς χώρους. Φοράτε προστατευτικό κάλυμμα μαλλιών για να συγκρατήσετε τα μακριά μαλλιά.
- Εάν παρέχονται συσκευές για τη σύνδεση εγκαταστάσεων αναρρόφησης και συλλογής σκόνης, βεβαιωθείτε ότι αυτές είναι συνδεδεμένες και χρησιμοποιούνται σωστά. Η χρήση αυτών των συσκευών μπορεί να μειώσει τους κινδύνους που σχετίζονται με τη σκόνη.
- Χρησιμοποιείτε σφιγκτήρες ή μέγνενη για να συγκρατείτε το τεμάχιο κατεργασίας. Είναι ασφαλέστερο από το να χρησιμοποιείτε το χέρι σας και απελευθερώνει και τα δύο χέρια για τον χειρισμό του εργαλείου.

### 4. Χρήση και φροντίδα ηλεκτρικών εργαλείων

- Μην υπερφορτώνετε λειτουργικά το εργαλείο. Αποδίδει καλύτερα και ασφαλέστερα με τον ρυθμό εργασίας για τον οποίο προορίζεται.
- Μην χρησιμοποιείτε το ηλεκτρικό εργαλείο εάν ο διακόπτης δεν το ενεργοποιεί και δεν το απενεργοποιεί. Κάθε ηλεκτρικό εργαλείο που δεν μπορεί να ελεγχθεί με τον διακόπτη είναι επικίνδυνο και πρέπει να επισκευαστεί.
- Αποσυνδέστε το βύσμα από την πηγή ρεύματος πριν από οποιαδήποτε ρύθμιση, αλλαγή εξαρτημάτων ή αποθήκευση ηλεκτρικών εργαλείων. Αυτά τα προληπτικά μέτρα ασφαλείας μειώνουν τον κίνδυνο εκκίνησης του ηλεκτρικού εργαλείου κατά λάθος.
- Αποθηκεύετε τα εργαλεία κοπής αιχμηρά και καθαρά. Όταν δεν χρησιμοποιούνται, τα εργαλεία πρέπει να αποθηκεύονται σε στεγνό, υπερωψωμένο ή/και κλειδωμένο σημείο, μακριά από παιδιά.
- Συντηρείτε τα ηλεκτρικά εργαλεία. Ελέγχετε για κακή ευθυγράμμιση ή συναρμογή των κινούμενων μερών, θραύση εξαρτημάτων και κάθε άλλη κατάσταση που μπορεί να επηρεάσει τη λειτουργία των ηλεκτρικών εργαλείων. Εάν έχει υποστεί βλάβη, επισκευάστε το ηλεκτρικό εργαλείο πριν από οποιαδήποτε χρήση. Πολλά ατυχήματα προκαλούνται από κακώς συντηρημένα ηλεκτρικά εργαλεία.
- Τα σωστά συντηρημένα κοπής εργαλεία με αιχμηρές ακμές κοπής είναι λιγότερο πιθανό να κολλήσουν και ελέγχονται ευκολότερα.
- Χρησιμοποιείτε το σωστό εργαλείο. Μην αναγκάζετε μικρά εργαλεία ή εξαρτήματα να κάνουν το έργο ενός εργαλείου βαρέως τύπου. Μην χρησιμοποιείτε εργαλεία για σκοπούς που δεν προορίζονται- για παράδειγμα, μην χρησιμοποιείτε δισκοπρίονα για να κόβετε κλαδιά δέντρων ή κορμούς.
- Οι κατεστραμμένοι διακόπτες πρέπει να αντικαθίστανται σε ένα κέντρο επισκευής εξυπηρέτησης πελατών. Μην χρησιμοποιείτε ηλεκτρικά εργαλεία που δεν μπορούν να ενεργοποιηθούν και να απενεργοποιηθούν.
- Μην αφήνετε τα ηλεκτρικά εργαλεία χωρίς επίβλεψη ενώ είναι ενεργοποιημένα. Να απενεργοποιείτε πάντα το εργαλείο και να περιμένετε μέχρι να ακινητοποιηθεί πλήρως πριν φύγετε.
- Εάν το καλώδιο τροφοδοσίας έχει υποστεί ζημιά, πρέπει να αντικατασταθεί με ένα ειδικό καλώδιο. Αυτά μπορείτε να τα προμηθευτείτε από τον κατασκευαστή ή από το αντίστοιχο τμήμα εξυπηρέτησης πελατών του κατασκευαστή. Η αντικατάσταση του καλωδίου επιτρέπεται μόνο από τον κατασκευαστή, το τμήμα εξυπηρέτησης πελατών του κατασκευαστή ή από εξίσου εξειδικευμένο και εξουσιοδοτημένο προσωπικό.

## 5. Service

- α. Καλέστε εξειδικευμένο τεχνικό που χρησιμοποιεί γνήσια ανταλλακτικά για την επισκευή του ηλεκτρικού εργαλείου σας. Έτσι θα διασφαλιστεί η σωστή λειτουργία του ηλεκτρικού εργαλείου.
- β. Προσοχή! Η χρήση εξαρτημάτων ή πρόσθετων εργαλείων εκτός από εκείνα που συνιστώνται στο παρόν εγχειρίδιο μπορεί να οδηγήσει σε αυξημένο κίνδυνο τραυματισμού. Χρησιμοποιείτε μόνο γνήσια ανταλλακτικά.

## Πρόσθετες οδηγίες ασφαλείας

- ΠΟΤΕ ΜΗΝ ΨΕΚΑΖΕΤΕ ΠΡΟΣ ΤΗΝ ΚΑΤΕΥΘΥΝΣΗ ΠΑΡΕΥΡΙΣΚΟΜΕΝΩΝ - Ποτέ μην στοχεύετε το ακροφύσιο σε άλλο άτομο ή ζώο. Ποτέ μην αφήνετε το σπρέι να έρθει σε άμεση επαφή με το δέρμα.
- ΣΗΜΕΙΟ ΑΝΑΦΛΕΞΗΣ - Αυτό το πιστόλι βαφής/ψεκασμού δεν πρέπει να χρησιμοποιείται για τον ψεκασμό εύφλεκτων χρωμάτων και διαλυτών με σημείο ανάφλεξης μικρότερο από 21 °C.
- ΕΞΑΕΡΙΣΜΟΣ - Φροντίστε πάντα να υπάρχει επαρκής εξαερισμός στο χώρο εργασίας κατά τον ψεκασμό.
- ΑΚΡΟΦΥΣΙΟ - Να κρατάτε πάντα το ακροφύσιο στη θέση του κατά τη χρήση.
- ΛΑΜΒΑΝΕΤΕ ΥΠΟΨΗ ΣΑΣ ΤΟ ΠΕΡΙΒΑΛΛΟΝ ΤΟΥ ΧΩΡΟΥ ΕΡΓΑΣΙΑΣ - Μην χρησιμοποιείτε πιστόλια ψεκασμού σε χώρους όπου υπάρχει κίνδυνος πυρκαγιάς ή έκρηξης.
- ΠΡΟΣΟΧΗ ΓΙΑ ΟΠΟΙΟΝΔΗΠΟΤΕ ΚΙΝΔΥΝΟ - Προσοχή σε κάθε κίνδυνο από το υλικό που ψεκάζεται, συμβουλευτείτε τις σημάνσεις στο δοχείο ή τις πληροφορίες που παρέχονται από τον κατασκευαστή.
- ΜΗΝ ΨΕΚΑΖΕΤΕ ΤΥΧΑΙΑ - Μην ψεκάζετε οποιοδήποτε υλικό για το οποίο ο τυχόν κίνδυνος δεν είναι γνωστός.
- ΧΡΗΣΙΜΟΠΟΙΗΣΤΕ ΠΡΟΣΤΑΣΙΑ ΜΑΤΙΩΝ - Χρησιμοποιείτε πάντα την κατάλληλη προστασία ματιών για να κρατάτε τους επικίνδυνους ατμούς ή αναθυμιάσεις μακριά από τα μάτια.
- ΦΟΡΑΤΕ ΜΑΣΚΑ - Ποτέ μη χειρίζεστε πιστόλι ψεκασμού χωρίς να φοράτε μάσκα προσώπου.
- ΠΡΟΣΤΑΤΕΥΣΤΕ ΤΗΝ ΑΚΟΗ ΣΑΣ - Φορέστε ωτοασπίδες εάν η ηχητική πίεση υπερβαίνει τα 85 dB(A).
- ΣΥΝΤΗΡΕΙΤΕ ΤΑ ΕΡΓΑΛΕΙΑ ΣΑΣ - Διατηρείτε το πιστόλι ψεκασμού, το δοχείο χρώματος και τα ακροφύσια καθαρά. Μην καθαρίζετε με εύφλεκτα υγρά με σημείο ανάφλεξης μικρότερο από 21 °C. Ελέγχετε περιοδικά το καλώδιο τροφοδοσίας και αν έχει τυχόν υποστεί ζημιά, αντικαταστήστε το με την συνδρομιά εξειδικευμένου τεχνικού.
- ΓΥΜΝΕΣ ΦΛΟΓΕΣ - Ποτέ μην ψεκάζετε κοντά σε γυμνή φλόγα ή σε φλόγα πιλότο συσκευής.
- ΚΑΠΝΙΣΜΑ - Ποτέ μην καπνίζετε ενώ ψεκάζετε.
- ΑΡΑΙΩΣΗ - Διαβάζετε πάντοτε τις συστάσεις ή τις οδηγίες αραιώσης του κατασκευαστή του χρώματος πριν από τη χρήση χρώματος ή άλλων υλικών.
- ΑΠΟΣΥΝΔΕΣΗ ΑΠΟ ΤΟ ΗΛΕΚΤΡΙΚΟ ΔΙΚΤΥΟ - Πάντα να αποσυνδέετε το βύσμα από την πρίζα, όταν γεμίζετε το δοχείο χρώματος ή όταν καθαρίζετε το πιστόλι ψεκασμού.
- Αποσυνδέετε τη συσκευή όταν δεν ψεκάζετε - Αποφύγετε να λειτουργείτε τη μονάδα με το κουμπί ρυθμού ροής πλήρως κλειστό για οποιοδήποτε χρονικό διάστημα.

Εάν το καλώδιο τροφοδοσίας είναι κατεστραμμένο, θα πρέπει να αντικατασταθεί από ένα ειδικό καλώδιο ή διάταξη παρεχόμενη από τον κατασκευαστή ή το εξουσιοδοτημένο τμήμα service.

## Σκοπούμενη χρήση

### Επικάλυψη υλικών κατάλληλων για χρήση

Χρώματα με βάση νερό και διαλύτες, φινιρίσματα, αστάρια, χρώματα 2 συστατικών, διαφανή φινιρίσματα, φινιρίσματα αυτοκινήτων, στεγανωτικά βαφής και συντηρητικά στεγανοποίησης ξύλου.

### Υλικά επικάλυψης ακατάλληλα για χρήση

Χρώματα τοίχου (γαλακτώματα) κ.λπ., αλκαλικά και όξινα χρώματα (μπογιές).

## Ιδιότητες ήχου και δονήσεων

Επίπεδο ηχητικής πίεσης  $L_{PAQ}$ : 84,0 dB (A), K=3 dB(A)

Επίπεδο ισχύος ήχου  $L_{WA}$ : 95,0 dB(A), K=3 dB(A)

Εκπομπές δονήσεων: <math>2,5 \text{ m/s}^2</math>, K=1,5  $\text{m/s}^2</math>$

Διπλή μόνωση

## Τεχνικά Χαρακτηριστικά

Μοντέλο	BPG9100
Ονομαστική ισχύς εισόδου	800 Watt
Ονομαστική τάση / συχνότητα	220 <sup>~</sup> - 240 V (~) - 50 Hz
Δοχείο βαφής (χρώματος)	800 ml
Μέγιστη ροή	900 ml/min
Μέγιστο ιξώδες	80 din/sec
Μήκος καλωδίου	2,0 m
Περιλαμβάνονται:	1 τεμ. κύπελλο μέτρησης ιξώδους, 1 τεμ. 1,8 m πλαστικού σωλήνα, 1 τεμ. ζώνης ανάρτησης ώμου 1 τεμ. Φ 2,6 mm ακροφυσίου

## Χρήση

### 1. Προετοιμασία του υλικού επικάλυψης

Πριν από τον ψεκασμό, το υλικό που χρησιμοποιείται μπορεί να χρειαστεί να αραιωθεί με τον κατάλληλο διαλύτη, όπως ορίζεται από τον κατασκευαστή του υλικού.



Πότε μην υπερβαίνετε τα όρια στις συμβουλές αραιώσης που δίνονται από τον κατασκευαστή της επικάλυψης.

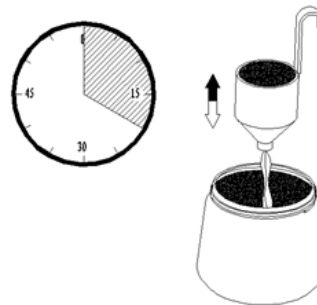
Σημείωση: Το υλικό που πρόκειται να ψεκαστεί πρέπει πάντα να στραγγίζεται για να απομακρυνθούν τυχόν ακαθαρσίες στο χρώμα/μπογιά που μπορεί να εισέλθουν και να φράξουν το σύστημα. Οι ακαθαρσίες στο χρώμα/μπογιά θα οδηγήσουν σε κακή απόδοση και κακό φινιρίσμα.



## Οδηγίες αραίωσης

Υλικό	Χρόνος διαφυγής (δευτερόλεπτα)
Βερνίκι ελαίου	25 - 45
Αστάρι με βάση έλαιο	30 - 50
Βερνίκι	20 - 55
Βερνίκι/λάκα	25 - 40
Κηλίδα ελαίου	Δεν απαιτείται αραίωση
Μονωτικό χρώμα	Δεν απαιτείται αραίωση
Πολυουρεθάνη	Δεν απαιτείται αραίωση
Το σημείο ανάφλεξης του εκάστοτε υλικού πρέπει να είναι 21° C ή υψηλότερο	

Σχ. 1



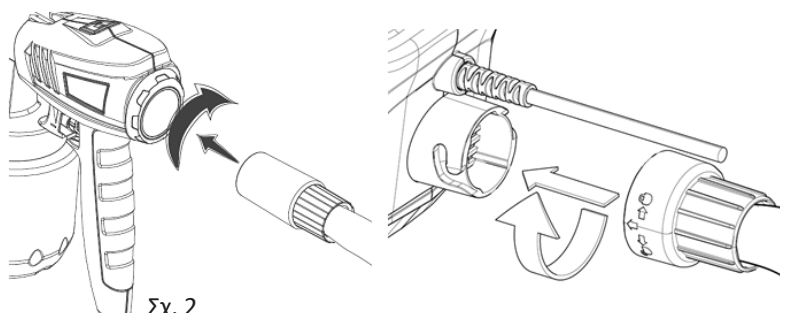
> Κρατήστε το κύπελλο δοκιμής ψηλά και μετρήστε το χρόνο σε δευτερόλεπτα μέχρι να αδειάσει το υγρό. Ο χρόνος αυτός ονομάζεται "Χρόνος διαφυγής σε δευτερόλεπτα (Runout Time in Seconds)".

**Σημείωση :** Ανακατέψτε καλά το υλικό ψεκασμού πριν μετρήσετε και γεμίσετε το δοχείο.

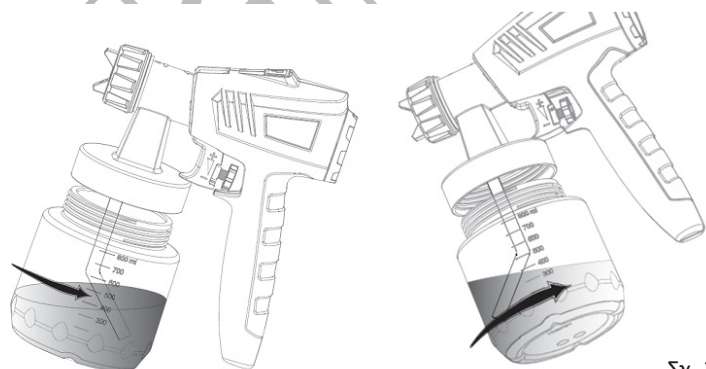
## 2. Έναρξη λειτουργίας

Πριν από τη σύνδεση με το δίκτυο, βεβαιωθείτε ότι η τάση τάση τροφοδοσίας είναι ίδια με την τιμή που αναγράφεται στην πινακίδα ονομαστικών μεγεθών.

1. Τοποθέτηση του εύκαμπτου σωλήνα αέρα. Εισάγετε με σύσφιξη το σύνδεσμο του σωλήνα αέρα στις συνδέσεις του μηχανήματος και του πιστολιού ψεκασμού.
2. Ξεβιδώστε το δοχείο από το πιστόλι ψεκασμού, ευθυγραμμίζοντας το σωλήνα αναρρόφησης. Το περιεχόμενο του δοχείου πρέπει να ψεκαστεί σχεδόν πλήρως. Όταν ψεκάζετε οριζόντιες επιφάνειες, στρέψτε το σωλήνα αναρρόφησης προς τα εμπρός (Α). Όταν ψεκάζετε αντικείμενα σε ύψος πάνω από το κεφάλι, στρέψτε το σωλήνα αναρρόφησης προς τα πίσω (Β).
3. Ρίξτε το προετοιμασμένο υλικό επικάλυψης και βιδώστε το δοχείο σφιχτά στο πιστόλι ψεκασμού.
4. Τοποθετήστε το μηχάνημα μόνο σε επίπεδη, καθαρή επιφάνεια. Διαφορετικά, το μηχάνημα θα μπορούσε να απορροφήσει σκόνη κ.λπ.
5. Ρυθμίστε τη ρύθμιση (επιλογή) ψεκασμού στο πιστόλι ψεκασμού.

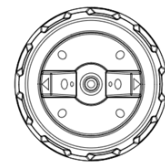
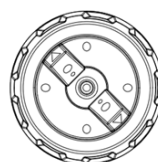
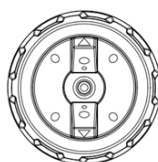


Σχ. 2



Σχ. 3

Ρύθμιση



Μοτίβο ψεκασμού



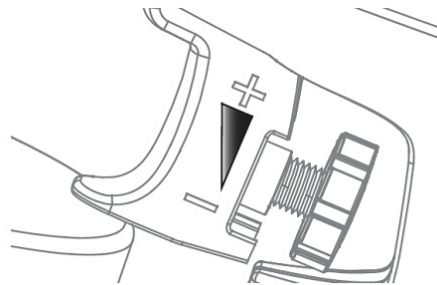
Σχ. 4

**ΣΗΜΑΝΤΙΚΟ:** Τρεις διαφορετικές ρυθμίσεις δέσμης ψεκασμού μπορούν να επιλεγούν στο πιστόλι ψεκασμού, ανάλογα με την εφαρμογή και το αντικείμενο-στόχο.

6. Πιέστε τον διακόπτη ON/OFF στο μηχάνημα και ξεκινήστε τη βαφή.

7. Ρύθμιση του όγκου υλικού.

Ρυθμίστε τον όγκο υλικού περιστρέφοντας το κουμπί ρύθμισης στη σκανδάλη.



Σχ. 5

### 3. Τεχνική ψεκασμού

• Το αποτέλεσμα του ψεκασμού εξαρτάται σε μεγάλο βαθμό από την ομαλότητα και την καθαριότητα της επιφάνειας που πρόκειται να ψεκαστεί. Ως εκ τούτου, η επιφάνεια πρέπει να προετοιμάζεται προσεκτικά και να διατηρείται απαλλαγμένη από σκόνη.

• Καλύψτε όλες τις επιφάνειες που δεν πρόκειται να ψεκαστούν.

• Καλύψτε τα σπειρώματα των βιδών ή παρόμοια μέρη του αντικείμενου-στόχου.

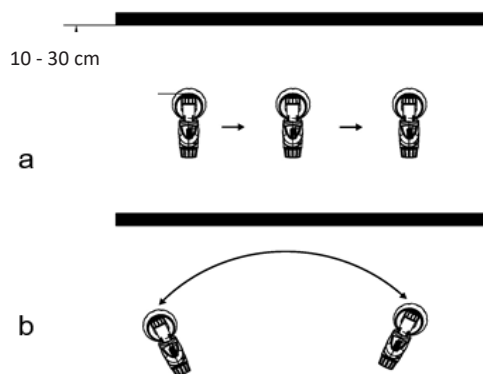
• Συνιστάται να δοκιμάσετε το πιστόλι ψεκασμού σε χαρτόνι ή παρόμοια επιφάνεια για να βρείτε τη σωστή ρύθμιση. Σημαντικό: Ξεκινήστε τον ψεκασμό έξω από την περιοχή στόχου και αποφύγετε τον διακοπτόμενο ψεκασμό μέσα στην περιοχή στόχου.

• Σωστό (Εικ. 6 α) Φροντίστε να κρατάτε το πιστόλι ψεκασμού σε ομοιόμορφη απόσταση περίπου 10 - 30 cm από το αντικείμενο-στόχο.

• Λάθος (Εικ. 6 β) - Ισχυρή συσσώρευση ομίχλης ψεκασμού, ανομοιόμορφη ποιότητα επιφάνειας.

• Μια ομοιόμορφη κίνηση του πιστολιού ψεκασμού έχει ως αποτέλεσμα μια ομοιόμορφη ποιότητα επιφάνειας.

• Όταν συσσωρεύεται υλικό επικάλυψης στο ακροφύσιο (A) και στην καλύπτρα αέρα (B) (Εικ. 7), καθαρίστε και τα δύο μέρη με διαλύτη ή νερό.



Σχ. 6

### Διακοπή εργασίας

- Απενεργοποιήστε το εργαλείο
- Τοποθετήστε το πιστόλι βαφής/ψεκασμού στην θέση του.

### Θέση εκτός λειτουργίας και καθαρισμός

1. Απενεργοποιήστε το μηχάνημα. Ενεργοποιήστε το προστατευτικό σκανδάλης έτσι ώστε το υλικό επικάλυψης στο πιστόλι ψεκασμού να ρέει πίσω στο δοχείο.

2. Ξεβιδώστε το δοχείο. Αδειάστε τυχόν εναπομείναν υλικό επικάλυψης πίσω στο δοχείο υλικού.

3. Καθαρίστε το δοχείο και το σωλήνα τροφοδοσίας με μια βούρτσα.

4. Ρίξτε διαλύτη ή νερό στο δοχείο. Βιδώστε ξανά το δοχείο.

**Χρησιμοποιείτε μόνο διαλύτες με σημείο ανάφλεξης πάνω από 21°C**

5. Ενεργοποιήστε το μηχάνημα και ψεκάστε τον διαλύτη ή το νερό σε ένα δοχείο ή σε ένα πανί.

6. Επαναλάβετε την παραπάνω διαδικασία έως ότου ο διαλύτης ή το νερό που βγαίνει από το ακροφύσιο να είναι καθαρός/καθαρό.

7. Απενεργοποιήστε το μηχάνημα.

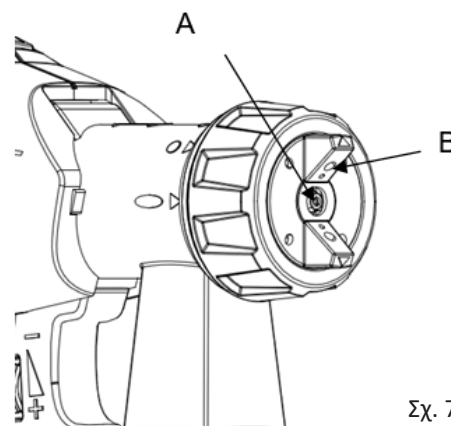
8. Στη συνέχεια αδειάστε εντελώς το δοχείο. Διατηρείτε πάντοτε το σφράγισμα του δοχείου ελεύθερο από υπολείμματα υλικού επικάλυψης και ελέγχετε για ζημιές.

9. Πιέστε προς τα κάτω το κουμπί γρήγορης απελευθέρωσης και τραβήξτε προς τα έξω το μπροστινό μέρος του πιστολιού ψεκασμού. Καθαρίστε το σχολαστικά.

10. Καθαρίστε το εξωτερικό μέρος του πιστολιού ψεκασμού και του δοχείου με ένα πανί εμποτισμένο με διαλύτη ή νερό.

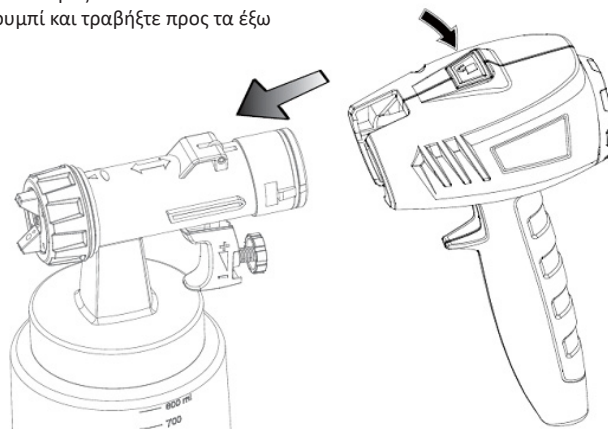
11. Ξεβιδώστε το παξιμάδι σύνδεσης και αφαιρέστε την καλύπτρα αέρα και το ακροφύσιο. Καθαρίστε το καπάκι αέρα και το ακροφύσιο με μια βούρτσα και διαλύτη ή νερό.

**ΠΡΟΣΟΧΗ! Ποτέ μην καθαρίζετε το ακροφύσιο ή τις σπές ροής αέρα στο πιστόλι ψεκασμού με αιχμηρά μεταλλικά αντικείμενα !**



Σχ. 7

Πιέστε προς τα κάτω το κουμπί και τραβήξτε προς τα έξω



Σχ. 8

## Συντήρηση

### 1. Αντικαταστήστε το φίλτρο αέρα

Αλλάξτε το φίλτρο αέρα εάν είναι λερωμένο. Λύστε τη στερέωση του καλύμματος από το μηχάνημα, τοποθετήστε το φίλτρο αέρα στο κάλυμμα. Σπρώξτε το κάλυμμα πίσω στο μηχάνημα.

**ΠΡΟΕΙΔΟΠΟΙΗΣΗ!** Ποτέ μη λειτουργείτε το μηχάνημα χωρίς το φίλτρο αέρα καθώς μπορεί να αναρροφηθούν ακαθαρσίες και να επηρεαστεί η λειτουργία του μηχανήματος.

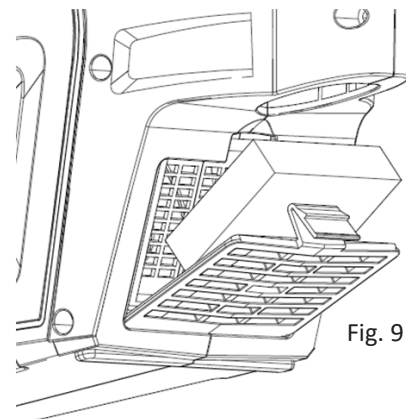


Fig. 9

### 2. Επίλυση προβλημάτων

Επίλυση προβλημάτων		
Πρόβλημα	Αιτία	Επίλυση
Δεν βγαίνει υλικό επικάλυψης από το ακροφύσιο	Το ακροφύσιο έχει φράξει Φραγμένος σωλήνας τροφοδοσίας Η ρύθμιση του όγκου του υλικού έχει στραφεί πολύ προς τα κάτω (-), Σωλήνας τροφοδοσίας χαλαρός Δεν υπάρχει συσσώρευση πίεσης στο δοχείο Πολύ υψηλό ιξώδες του υλικού επικάλυψης	Καθαρισμός Καθαρισμός, Στρέψτε προς την πάνω πλευρά (+) Καλύτερη τοποθέτηση Σύσφιξη/στεγάνωση δοχείου Αραίωση υλικού επικάλυψης
Το υλικό επικάλυψης στάζει από το ακροφύσιο	Ακροφύσιο χαλαρό Ακροφύσιο φθαρμένο Συγκέντρωση υλικού επικάλυψης στην καλύπτρα αέρα, ακροφύσιο ή καρφίτσα	Σύσφιξη ακροφυσίου Αντικατάσταση ακροφυσίου Καθαρισμός
Ο ψεκάσμος ιδιαίτερος χονδροειδής	Ιξώδες υλικού επικάλυψης πολύ υψηλό Όγκος υλικού πολύ μεγάλος Ακαθαρσίες στο ακροφύσιο Φίλτρο αέρα πολύ λερωμένο Πολύ μικρή πίεση στο δοχείο	Αραίωση Στρίψτε την βίδα ρύθμισης όγκου υλικού προς τη κάτω πλευρά (-) Καθαρισμός Αντικατάσταση Σύσφιξη/στεγάνωση δοχείου

## Περιβαλλοντική προστασία

Η συσκευή και τα εξαρτήματα πρέπει να ανακυκλώνονται με τρόπο φιλικό προς το περιβάλλον. Μην απορρίπτετε τη συσκευή μαζί με τα οικιακά απορρίμματα. Υποστηρίξτε την προστασία του περιβάλλοντος μεταφέροντας τη συσκευή σε ένα τοπικό σημείο συλλογής ή λάβετε πληροφορίες από έναν εξειδικευμένο έμπορο λιανικής πώλησης.



\*Ο κατασκευαστής διατηρεί το δικαίωμα να πραγματοποιήσει δευτερεύουσες αλλαγές στο σχεδιασμό του προϊόντος και στα τεχνικά χαρακτηριστικά χωρίς προηγούμενη ειδοποίηση, εκτός εάν οι αλλαγές αυτές επηρεάζουν σημαντικά την απόδοση και λειτουργία ασφαλείας των προϊόντων. Τα εξαρτήματα που περιγράφονται / απεικονίζονται στις σελίδες του χειριδίου που κρατάτε στα χέρια σας ενδέχεται να αφορούν και σε άλλα μοντέλα της σειράς προϊόντων του κατασκευαστή, με παρόμοια χαρακτηριστικά, και ενδέχεται να μην περιλαμβάνονται στο προϊόν που μόλις αποκτήσατε.

\* Λάβετε υπόψη ότι ο εξοπλισμός μας δεν έχει σχεδιαστεί για χρήση σε εμπορικές, επαγγελματικές ή βιομηχανικές εφαρμογές. Η εγγύησή μας θα ακυρωθεί αν το προϊόν χρησιμοποιείται σε εμπορικές, επαγγελματικές ή βιομηχανικές επιχειρήσεις ή για ανάλογους σκοπούς.

\* Για να διασφαλιστεί η ασφάλεια και η αξιοπιστία του προϊόντος καθώς και η ισχύς της εγγύησης όλες οι εργασίες επιδιόρθωσης, ελέγχου, επισκευής ή αντικατάστασης συμπεριλαμβανομένης της συντήρησης και των ειδικών ρυθμίσεων, πρέπει να εκτελούνται μόνο από τεχνικούς του εξουσιοδοτημένου τμήματος Service του κατασκευαστή.

\* Χρησιμοποιείτε πάντα το προϊόν με τον παρεχόμενο εξοπλισμό. Η λειτουργία του προϊόντος με μη-προβλεπόμενο εξοπλισμό ενδέχεται να προκαλέσει βλάβη ή ακόμα και σοβαρό τραυματισμό ή θάνατο. Ο κατασκευαστής και ο εισαγωγέας ουδεμία ευθύνη φέρει για τραυματισμούς και βλάβες που προκύπτουν από την χρήση μη προβλεπόμενου εξοπλισμού.

## **BG** **ГАРАНЦИЯ**

Този уред е качествен продукт. Той е проектиран в съответствие с действащите технически стандарти и е направен внимателно при използване на нормални, качествени материали. Гаранционният срок е 24 месеца и започва да тече от датата на покупката, която може да бъде потвърдена с квитанция, фактура или документ за доставка. По време на този гаранционен период всички функционални грешки, които, въпреки внимателното третиране, описано в нашето ръководство за експлоатация, са проверими поради материални недостатъци, ще бъдат отстранени от нашия сервизен персонал. Гаранцията приема формата, в която дефектните части ще бъдат ремонтирани или заменени с перфектни части безплатно по наше усмотрение. Подменените части ще станат наша собственост. Ремонтните работи или подмяната на отделни части няма да удължат гаранционния срок, без това да доведе до започване на нов гаранционен период за уреда. За резервни части, които могат да бъдат поставени, няма да започне отделен гаранционен срок. Не можем да предложим гаранция за повреди и дефекти на уредите или техните части, причинени от използването на прекомерна сила, неправилно третиране и обслужване. Това важи и за неспазване на ръководството за експлоатация и инсталацията, както и резервни и допълнителни части, които не са включени в нашата гама от продукти. В случай на намеса в модификации на уреда от неупълномощени лица, гаранцията ще бъде премахната. Щети, които се дължат на неправилно боравене, натоварване или естествено износване, са изключени от гаранцията. Щети, причинени от производителя или от дефект на материала, ще бъдат поправени без заплащане чрез ремонт или чрез предоставяне на резервни части. Предпоставка е оборудването да се съгласява и да се допълни с доказателство за продажба и гаранция. За гаранционна претенция използвайте само оригиналната опаковка. По този начин можем да гарантираме бърза и гладка обработка на гаранциите. Моля, изпратете ни уредите след плащане или заявете стикер на Freeway. За съжаление няма да можем да приемаме уреди, които не са с абонамент. Гаранцията не покрива части, които са обект на естествено износване. Ако желаете да направите гаранционна претенция, да съобщите за неизправности или да поръчате резервни части или аксесоари, моля свържете се с центъра за поддръжка по-долу: Подлежи на промяна без предизвестие.

## **RO** **GARANȚIE**

Acest aparat este un produs de calitate. A fost proiectat în conformitate cu standardele tehnice actuale și a făcut cu atenție materiale normale, de bună calitate. Perioada de garanție este de 24 de luni și începe la data cumpărării, care poate fi verificată prin chitanță, factură sau buletin de livrare. În timpul acestor perioade de garanție, toate erorile funcționale, care, în ciuda tratamentului atent descris în manualul nostru de utilizare, sunt verificabile din cauza defectelor materiale, vor fi rectificate de personalul nostru de service post-vânzare. Garanția ia forma faptului că piesele defecte vor fi reparate sau înlocuite cu piese perfecte gratuit, la discreția noastră. Piesele înlocuite vor deveni proprietatea noastră. Lucrările de reparații sau înlocuirea pieselor individuale nu vor prelungi perioada de garanție, deoarece nu vor duce la începerea unei noi perioade de garanție pentru aparat. Nu se va începe nici o perioadă de garanție separată pentru piesele de schimb care pot fi incluse. Nu putem oferi o garanție pentru defecțiunile și defectele aparatelor sau ale pieselor acestora cauzate de utilizarea forței excesive, tratarea necorespunzătoare și întreținerea. Acest lucru se aplică și în caz de nerespectare a manualului de utilizare și a pieselor de instalare sau de rezervă și accesoriilor care nu sunt incluse în gama noastră de produse. În caz de interferență cu modificările aduse aparatului de către persoane neautorizate, garanția va fi anulată. Daunele care pot fi atribuite manipulării necorespunzătoare, supraîncălzirii sau uzurii naturale sunt excluse din garanție. Deteriorările cauzate de producător sau de un defect material vor fi corectate gratuit, prin reparații sau prin furnizarea de piese de schimb. Condiția prealabilă este ca echipamentul să fie predat în asamblare și să fie completat cu dovada vânzării și a garanției. Pentru o cerere de garanție, utilizați numai ambalajul original. În acest fel, putem garanta procesarea rapidă și fără probleme a garanției. Trimiteți-ne aparatele post-plătite sau solicitați un autocolant Freeway. Din păcate, nu vom putea accepta dispozitive care nu sunt plătite post-paid. Garanția nu acoperă piese care sunt supuse uzurii naturale. Dacă doriți să solicitați o garanție, să semnați defecțiuni sau să comandați piese de schimb sau accesoriile, vă rugăm să contactați centrul de asistență tehnică de mai jos: Pot fi modificate fără o notificare prealabilă.

## **NMK** **ГАРАНЦИЈА**

страна на нашите сервисни служби. Гаранцијата е во форма која дефектните делови ќе бидат поправени или заменети со совршени делови бесплатно по наша дискреција. Заменетите делови ќе станат наш сопственост. Поправки или замена на поединечни делови нема да го продолжат гарантниот рок, туку ќе резултира со започнување на нов гарантен рок за апаратот. Нема да отпочне одделен гарантен рок за резервни делови што може да се користат. Не можеме да понудиме гаранција за оштетувања и дефекти на апаратите или нивните делови предизвикани од употреба на прекумерна сила, неправилен третман и сервисирање. Ова исто така важи и за неуспехот да се усогласат со оперативниот прирачник и инсталационите или резервните и помошни делови што не се вклучени во нашиот асортиман на производи. Во случај на пречки во промените на апаратот од страна на неовластени лица, гаранцијата ќе биде поништена. Оштетувањата што се припишуваат на неправилно ракување, над товарење или природна употреба се исклучени од гаранцијата. Оштетувањата предизвикани од производителот или од материјален дефект ќе бидат поправени без надомест со поправка или со обезбедување на резервни делови. Предуслов е дека опремата е предадена собрани, а заврши со доказ за продажба и гаранција. За барање за гаранција, користете го оригиналното пакување. На тој начин можеме да гарантираме брза и непречена обработка на гаранциите. Ве молиме испратете ги апаратите пост-пејд или побарајте налепница со Freeway. За жал нема да можеме да прифатиме апарати кои не се пост-пејд. Гаранцијата не ги покрива деловите што се предмет на природно абеење. Ако сакате да поднесете барање за гаранција, да пријавите грешки или да нарачате резервни делови или додатоци, ве молиме контактирајте го центарот за продавање подолу: Предмет на промена без претходна најава. најава.

## **HUN** **GARANCIÁ**

Ez a készülék minőségi termék. Úgy tervezték, hogy megfeleljen a jelenlegi műszaki szabványoknak, és gondosan, normál, jó minőségű anyagokkal készült. A jótállási idő 24 hónap, és a vásárlás napján kezdődik, amelyet a kézhezvétellel, a számla vagy a kézbesítési értesítés igazolhat. A garanciaidő alatt minden olyan funkcionális hiba, amely az üzemeltetési utasításunkban leírt gondos kezelés ellenére bizonyíthatóan az anyagi hibák miatt következik be, a vevőszolgálatunk javítja. A garancia olyan formája, hogy a hibás alkatrészek javítása vagy cseréje a tökéletes alkatrészekkel ingyenes. A cserélt részek tulajdonunk lesz. A javítási munkák vagy az egyes részek cseréje nem hosszabbítja meg a jótállási időszakot, és nem eredményez új garanciaidő megkezdését a készülék számára. Nincs külön garanciaidő a pótalkatrészek esetén. Nem nyújtunk garanciát a készülékek vagy alkatrészeik károsodására és hibáira a túlzott erő, a helytelen kezelés és a karbantartás miatt. Ez vonatkozik az üzemeltetési utasítás és a telepítés, illetve a tartalék és tartozék alkatrészeinek meg nem felelésére is, amelyek nem tartoznak a termékínálatunkba. Abban az esetben, ha a készülék jogosulatlan személy általi módosításai zavarnak, a garancia érvényét veszti. A nem megfelelő kezelés, a terhelés vagy a természetes kopás okozta károk nem tartoznak a garancia hatálya alá. A gyártó vagy az anyaghiba által okozott károkat a javítás vagy a pótalkatrészek beszerzése nélkül kijavítják. Az előfeltétel az, hogy a berendezést összeszerelték, és az értékesítés és a garancia igazolásával kiegészüljön. A garancia igényléséhez csak az eredeti csomagolást használja. Így garantálhatjuk a gyors és zökkenőmentes garanciafeldolgozást. Kérjük, küldje el nekünk a készüléket utólag fizetett vagy kérjen Freeway matricát. Sajnos nem tudjuk elfogadni a nem utólag fizetett készülékeket. A garancia nem terjed ki a természetes kopásnak kitett alkatrészekre. Ha garanciális igényt kíván nyújtani, hibákat jelenteni vagy pótalkatrészeket vagy tartozékokat rendelni, kérjük, vegye fel a kapcsolatot az alábbi értékesítési központtal: Előzetes értesítés nélkül változhat.



POL

## GWARANCJA

To urządzenie jest produktem wysokiej jakości. Został zaprojektowany zgodnie z aktualnymi standardami technicznymi i wykonany starannie przy użyciu zwykłych, dobrej jakości materiałów. Okres gwarancji wynosi 24 miesiące i rozpoczyna się w dniu zakupu, który można zweryfikować za pomocą paragonu, faktury lub dowodu dostawy. W okresie gwarancji wszystkie błędy funkcjonalne, które pomimo starannego traktowania opisanego w naszej instrukcji obsługi, są weryfikowalne przez wady materiałowe, zostaną naprawione przez nasz personel obsługi posprzedażnej. Gwarancja ma formę, w której wadliwe części zostaną naprawione lub wymienione na części zamiennie bezpłatnie według naszego uznania. Wymienione części staną się naszą własnością. Naprawa lub wymiana pojedynczych części nie przedłuża okresu gwarancji, nie spowoduje to rozpoczęcia nowego okresu gwarancyjnego dla urządzenia. Nie rozpocznie się oddzielny okres gwarancji na części zamiennie, które mogą być używane. Nie możemy zaoferować gwarancji na uszkodzenia i usterki urządzeń lub ich części spowodowane użyciem nadmiernej siły, niewłaściwego traktowania i serwisowania. Dotyczy to również nieprzestrzegania instrukcji obsługi i instalacji lub części zamiennych i akcesoriów, które nie są zawarte w naszej ofercie produktów. W przypadku ingerencji w modyfikacje urządzenia przez osoby nieuprawnione, gwarancja zostanie unieważniona. Szkody, które można przypisać niewłaściwej obsłudze, nadmiernemu obciążeniu lub naturalnemu zużyciu, są wyłączone z gwarancji. Uszkodzenia spowodowane przez producenta lub wadę materiałową zostaną naprawione bezpłatnie przez naprawę lub przez dostarczenie części zamiennych. Warunkiem wstępnym jest przekazanie sprzętu w komplecie wraz z dowodem sprzedaży i gwarancją. W przypadku reklamacji należy używać tylko oryginalnego opakowania. W ten sposób możemy zagwarantować szybkie i płynne przetwarzanie gwarancji. Prześlij nam urządzenia post-paid lub zamów naklejkę na autostradę. Niestety nie będziemy mogli akceptować urządzeń, które nie są opłacane z dołu. Gwarancja nie obejmuje części ulegających naturalnemu zużyciu. Jeśli chcesz zgłosić roszczenie gwarancyjne, zgłośić usterki lub zamówić części zamiennie lub akcesoria, skontaktuj się z następującym centrum obsługi posprzedażnej: Zastrzega się możliwość zmian bez uprzedzenia.

ALB

## GARANCI

Kjo pajisje është një produkt cilësor. Washtë hartuar në përputhje me standardet aktuale teknike dhe është bërë me kujdes duke përdorur materiale normale, me cilësi të mirë. Periudha e garancisë është 24 muaj dhe fillon në datën e blerjes, e cila mund të vërtetohet me faturën, faturën ose dorëzimin. Gjatë kësaj periudhe garancie, të gjitha gabimet funksionale, të cilat, përkundër trajtimit të kujdesshëm të përshkruar në manualin tonë të funksionimit, janë verifikueshëm për shkak të metave të materialit, do të korrigjohen nga stafi ynë i shërbimit pas shitjes. Garancia merr formën që pjesët e dëmtuara do të riparohen ose zëvendësohen me pjesët e përsosura falas, sipas gjykimit tonë. Pjesët e zëvendësuara do të bëhen pronë jonë. Puna e riparimit ose zëvendësimit i pjesëve individuale nuk do të zgjasë periudhën e garancisë, por nuk do të rezultojë në fillimin e një periudhe të re garancie për pajisjen. Asnjë periudhë e veçantë e garancisë nuk do të fillojë për pjesët rezervë që mund të merren. Ne nuk mund të ofrojmë një garanci për dëmtimin dhe defektet e pajisjeve ose pjesëve të tyre të shkaktuara nga përdorimi i forcës së tepërt, trajtimi dhe shërbimi i pahijshëm. Kjo gjithashtu vlen për dështimet në përputhje me manualin e funksionimit dhe instalimin ose pjesët rezervë dhe aksesori që nuk përfshihen në gamën tonë të produkteve. Në rast ndërhyrje në modifikimet e pajisjes nga persona të paautorizuar, garancia do të hiqet. Dëmet që mund t'i atribuohen trajtimit të pahijshëm, ngarkimit të tepërt, ose konsumit natyror, përjashtohen nga garancia. Dëmet e shkaktuara nga prodhuesi ose nga një defekt i materialit do të korrigjohen pa pagesë me riparim ose duke siguruar pjesë këmbimi. Parakushti është që pajisjet të dorëzohen të montuara, dhe të kompletuara me provën e shitjes dhe garancisë. Për një kërkesë garancie, përdorni vetëm paketimin origjinal. Në atë mënyrë, ne mund të garantojmë përpunim të shpejtë dhe të qetë të garancisë. Ju lutemi na dërgoni pajisjet me postë të paguar ose kërkoni një afishe autostradë. Për fat të keq, ne nuk do të jemi në gjendje të pranojmë pajisje që nuk janë me kontratë. Garancia nuk përfshin pjesë që i nënshtrohen konsumit natyror. Nëse dëshironi të bëni një kërkesë për garanci, të raportoni gabime ose të porosisni pjesë rezervë ose pajisje, ju lutemi kontaktoni qendrën pas shitjes më poshtë: Subjekti për të ndryshuar pa njoftim paraprak.

HR

## JAMSTVO

Ovaj je uređaj kvalitetan proizvod. Dizajniran je u skladu s trenutnim tehničkim standardima i izrađen je pažljivo koristeći normalne, kvalitetne materijale. Garancijsko razdoblje je 24 mjeseca i započinje datumom kupnje, što se može potvrditi potvrdom primitka, računa ili dostavnice. Tijekom ovog jamstvenog razdoblja sve će funkcionalne pogreške, koje su unatoč pažljivom postupanju opisanom u našem priručniku za upotrebu provjerljivo zbog materijalnih nedostataka, otkloniti od strane našeg servisnog osoblja. Jamstvo ima oblik da će se oštećeni dijelovi besplatno popraviti ili zamijeniti savršenim dijelovima, po našem nahođenju. Zamijenjeni dijelovi postat će naše vlasništvo. Popravak ili zamjena pojedinih dijelova neće produljiti jamstveno razdoblje, jer neće rezultirati novim jamstvenim rokom za uređaj. Neće započeti zasebni jamstveni rok za rezervne dijelove koji se mogu trošiti. Ne možemo pružiti jamstvo za oštećenja i oštećenja uređaja ili njihovih dijelova uzrokovanih prekomjernom silom, nepravilnim postupanjem i servisiranjem. To se također odnosi i na neusklađivanje s uputama za uporabu i instalacijskim ili rezervnim i pomoćnim dijelovima koji nisu uključeni u naš asortiman proizvoda. U slučaju ometanja neovlaštenih osoba na izmjenama uređaja, jamstvo će se poništiti. Oštećenja koja se mogu pripisati nepravilnom rukovanju, preopterećenju ili prirodnom habanju isključena su iz jamstva. Štete uzrokovane proizvođačem ili oštećenjem materijala ispravit će se besplatnim popravkom ili osiguravanjem rezervnih dijelova. Preduvjet je da se oprema preda u sastavu, zajedno s dokazom o prodaji i garancijom. Za garancijski zahtjev koristite samo originalno pakiranje. Na taj način možemo jamčiti brzu i glatku obradu jamstava. Pošaljite nam uređaje naknadno ili zatražite naljepnicu autoputa. Nažalost, nećemo biti u mogućnosti prihvatiti uređaje koji nisu preplaćeni. Jamstvo ne obuhvaća dijelove koji su podložni prirodnom habanju. Ako želite podnijeti zahtjev za jamstvom, prijaviti kvarove ili naručiti rezervne dijelove ili pribor, molimo kontaktirajte dolje prodajni centar: Podložno promjenama bez prethodne najave.

SRB

## ГAРАНЦИЈА

Ovaj aparat je kvalitetan proizvod. Dizajniran je u skladu sa trenutnim tehničkim standardima i rađen pažljivo koristeći normalne, kvalitetne materijale. Garantni rok je 24 meseca i započinje danom kupovine, što se može verifikovati primaњem, fakturnom или otpremnicom. Tokom ovog garantnog perioda, sve funkcionalne greške koje se, uпрkos pažljivom postupanju opisanom u našem uputstvu за upotreбу, verovatno mogu proveriti zbog materijalnih nedostataka, otkloniће od strane нашег сервисног особља. Гаранција добија облик да ће се неисправни делови поправити или заменити савршеним деловима бесплатно по нашем нахођењу. Замене делови постаће наше власништво. Поправци или замена појединих делова неће продужити гарантни рок јер неће резултирати новим гаранцијским роком за апарат. Неће почети посебан гарантни рок за резервне делове који се могу напунити. Не можемо пружити гаранцију за оштећења и оштећења уређаја или њихових делова насталих прекомерном силом, неправилним третманом и сервисирањем. Ово се такође односи и на непоштовање упутства за употребу и инсталационих или резервних и помоћних делова који нису обухваћени нашим асортиманом производа. У случају ометања модификација уређаја од стране неовлашћених особа, гаранција ће се поништити. Оштећења која се могу приписати неправилном руковању, преоптерећењу или природном хабању су искључена из гаранције. Оштећења настала од стране произвођача или оштећења материјала исправљаће се или поправљањем резервних делова бесплатно. Предуслов је да се опрема преда у саставу, заједно са доказом о продаји и гаранцијом. За захтев о гаранцији користите само оригинално паковање. На тај начин можемо гарантовати брзу и глатку обраду гаранција. Пошаљите нам уређаје накнадно или затражите налепницу са аутопута. На жалост, нећемо бити у могућности да прихватимо уређаје који нису плаћени. Гаранција не покрива делове који су изложени природном хабању. Ако желите да поднесете захтев за гаранцијом, пријавите грешке или наручите резервне делове или додатну опрему, молимо контактирајте доњи продајни центар: Могу се променити без претходне најаве.



# Declaration of Conformity / Δήλωση Συμμόρφωσης

Product Name:

Electric Spray Gun HVLP

Όνομα Προϊόντος:

Ηλεκτρικό Πιστόλι Βαφής HVLP

Model / Μοντέλο:

BPG9100

EN	<b>EC - DECLARATION OF CONFORMITY</b> We declare under our sole responsibility that the product described under "Technical Data" is in conformity with the following standards or standardized documents and in accordance with the regulations:	SK	<b>CE - VYHLÁSENIE KONFORMITY</b> Vyhlasujeme na vlastnú zodpovednosť, že výrobok opísaný v časti "Technické údaje" je v súlade s nasledujúcimi normami alebo štandardnými dokumentmi, podľa predpisov smerníc:
D	<b>CE-KONFORMITÄTSEKTLÄRUNG</b> Wir erklären in alleiniger Verantwortung, dass das unter „Technische Daten“ beschriebene Produkt den folgenden Normen oder standardisierten Dokumenten entspricht, gemäß den Bestimmungen der Richtlinien:	BG	<b>CE - ДЕКЛАРАЦИЯ ЗА СЪОТВЕТСТВИЕ</b> Ние декларираме на наша отговорност единствено, че продуктът, описан в "Технически данни" е в съответствие със следните стандарти или стандартизирани документи, съобразно предписанията на директивите:
FR	<b>DECLARATION CE DE CONFORMITÉ</b> Nous déclarons sous notre seule responsabilité que le produit décrit sous «Données techniques» est conforme aux normes ou documents normalisés suivants, conformément aux réglementations:	RO	<b>DECLARAȚIE DE CONFORMITATE</b> Declarăm pe propria răspundere că produsul descris în secțiunea "Date tehnice" este în conformitate cu următoarele standarde sau documente standardizate, în conformitate cu reglementările:
SPA	<b>DICHAARAZIONE DI CONFORMITÀ CE</b> Declaramos bajo nuestra exclusiva responsabilidad que el producto descrito en "Datos técnicos" cumple con las siguientes normas o documentos estandarizados, in base alle prescrizioni delle direttive:	NMK	<b>ЕУ-ДЕКЛАРАЦИЈА ЗА СООБРАЗНОСТ</b> Со наша одговорност изјавуваме дека производот опишан под "Технички податоци" е во согласност со следните стандарди или стандартизирани документи, in conformitate cu reglementările:
IT	<b>DECLARACION DE CONFORMIDAD CE</b> Declaramos bajo nuestra exclusiva responsabilidad que el producto descrito en "Datos técnicos" cumple con las siguientes normas o documentos estandarizados, de acuerdo con las regulaciones:	HUN	<b>EK-MEGFELELŐSÉGI NYILATKOZAT</b> Kizárólagos felelősségünkel kijelentjük, hogy a „Műszaki adatok” alatt leírt termék megfelel az alábbi szabványoknak vagy szabványosított dokumentumoknak, szabályoknak megfelelően:
SLO	<b>CE-IZJAVA O KONFORMNOSTI</b> Izjavljamo pod izključno odgovornostjo, da je izdelek, opisan pod „Tehnični podatki”, v skladu z naslednjimi standardi ali standardiziranimi dokumenti, v skladu z določili smernic:	POL	<b>DEKLARACJA ZGODNOŚCI WE</b> Deklarujemy, na naszą wyłączną odpowiedzialność, że produkt opisany w "Danych technicznych" jest zgodny z następującymi normami lub standardowymi dokumentami, zgodnie z przepisami:
EL	<b>Δήλωση συμμόρφωσης EK</b> Δηλώνουμε υπεύθυνα ότι το προϊόν που περιγράφεται στο κεφάλαιο "Τεχνικά Χαρακτηριστικά" είναι συμβατό με τις ακόλουθες διατάξεις της κοινοτικής οδηγίας και με τα ακόλουθα εναρμονισμένα κανονιστικά πρότυπα:	POR	<b>DECLARAÇÃO CE DE CONFORMIDADE</b> Declaramos sob nossa exclusiva responsabilidade que o produto descrito em "Dados técnicos" está em conformidade com as seguintes normas ou documentos padronizados, de acordo com os regulamentos:
MLT	<b>DIKJARAZZJONI KE TA 'KONFORMITÀ</b> Aħna niddikjaraw taht ir-responsabbiltà unika tagħna li l-prodott deskritt taht "Data Teknika" huwa konformi ma 'l-istandards jew id-dokumenti standardizzati li għejjin, skond ir-regolamenti:	SRB	<b>ЕЦ ДЕКЛАРАЦИЈА КОНФОРМИТЕТА</b> Изузетно изјављујемо да је производ описан у „Техничким подацима“ у складу са следећим стандардима или стандардизованим документима и у складу са прописима:
HR	<b>EC - IZJAVA O SUKLADNOSTI</b> Izjavljujemo da smo pod isključivom odgovornošću da je proizvod opisan u „Tehničkim podacima“ u skladu sa sljedećim standardima ili standardiziranim dokumentima i u skladu s propisima:	ALB	<b>EC - Deklarata e Konformitetit</b> Ne deklarojmë nën përgjegjësinë tonë vetëm se produkti i përshkruar në "Të dhënat teknike" është në përputhje me standardet e mëposhtme ose dokumentet e standardizuara dhe në përputhje me rregulloret:

2014/30/EU - 2006/42/EC

EN 55014-1:2017  
EN 55014-2:2005  
EN IEC 61000-3-2:2019  
EN 61000-3-3:2013+A1

Date of Issue:

Ημερομηνία Δήλωσης:

25/08/2021

Under the responsibility of:

Υπεύθυνος:

D. Nikolaou S.A

Δ. Νικολάου ΑΕΒΕ



