

TECHNICAL DATA SHEET

VALSIR® FLUSHING SYSTEMS

PERK



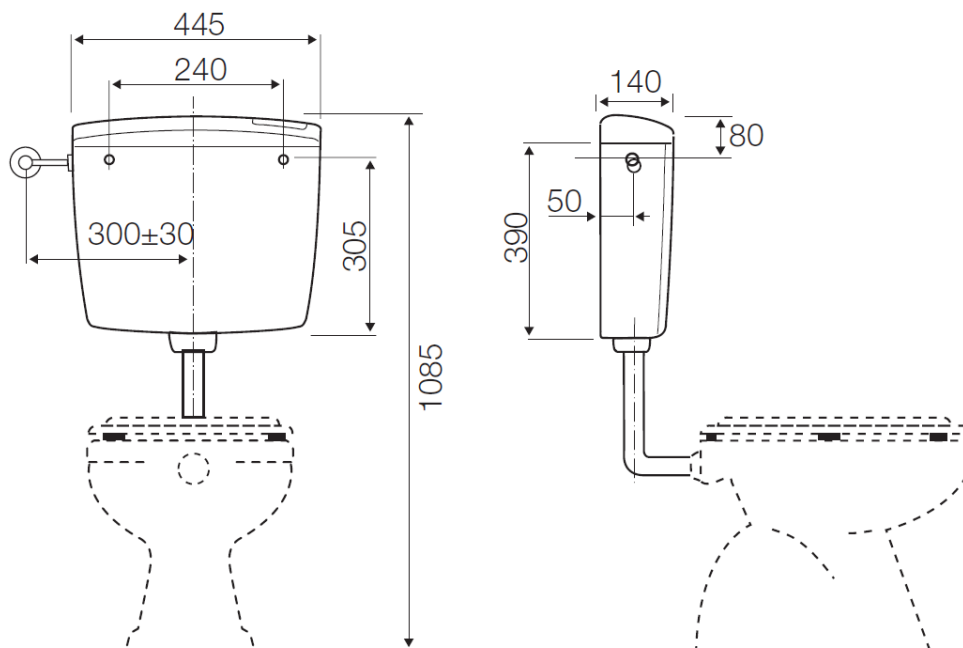
valsir®
QUALITY FOR PLUMBING

Charateristics

Code:	VS0846001 VS0846101 VS0847001
Thickness:	140 mm
Actuations:	Mechanic
Flush volumes:	6 l + STOP
CE Mark:	EN14055-CL1-6-NLI-VR11
WC connection:	Floor pan
Suitable for:	All types of wall
Color:	White



Technical specs:



Approvals:

The approvals of Valsir® flushing systems are available on the website: www.valsir.com

PLUMBING

WASTE SYSTEMS



SUPPLY SYSTEMS



GAS SYSTEMS



FLUSH SYSTEMS



BATHROOM SYSTEMS



TRAPS



RADIANT SYSTEMS



DRAINAGE SYSTEMS



HRV SYSTEM



ACADEMY



SEWER SYSTEMS



WATER TREATMENT



BUILDING

valsir[®]
QUALITY FOR PLUMBING

VALSIR S.p.A.
Località Merlaro, 2
25078 Vestone (BS) - Italy
Tel. +39 0365 877.011
Fax +39 0365 81.268
e-mail: valsir@valsir.it

www.valsir.com

Soggetta all'attività di direzione e coordinamento ex art. 2497 bis C.C. da parte di Silmar Group S.p.A. - Codice Fiscale 02075160172

T02-2261 - Novembre 2017