

BORMANN®



BTW1000 - BTW1010 - BTW1020 - BTW1030 - BTW1040

025740

025757

025764

025771

025788

BTW1070 - BTW1075 - BTW1080 - BTW1085

056621

056638

056645

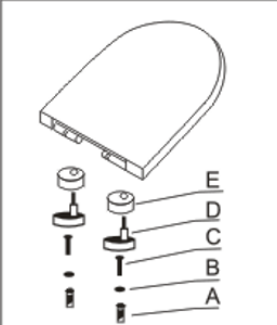
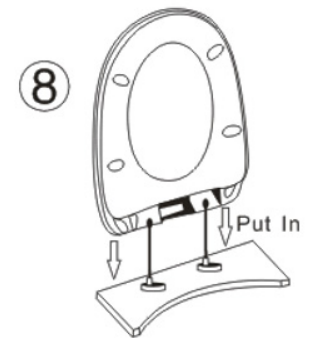
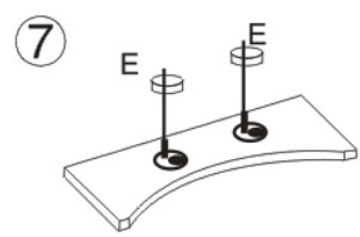
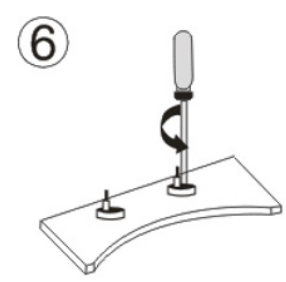
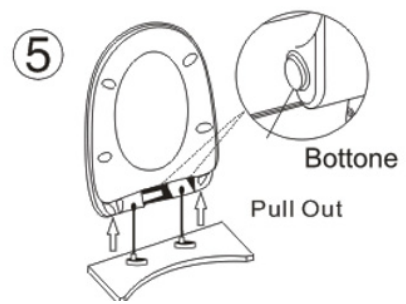
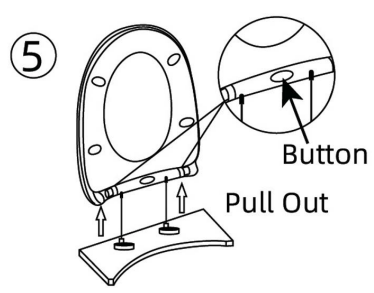
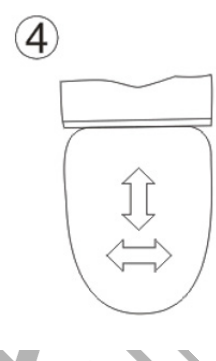
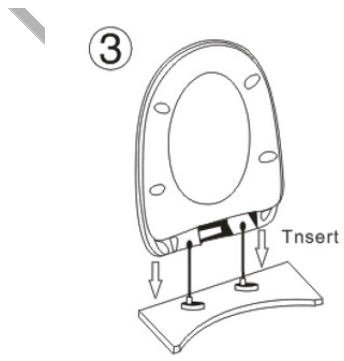
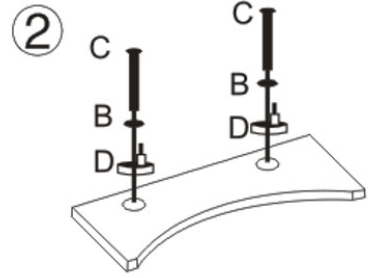
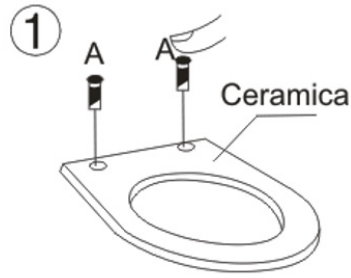
056652

v2.2



WWW.NIKOLAOUTOOLS.GR

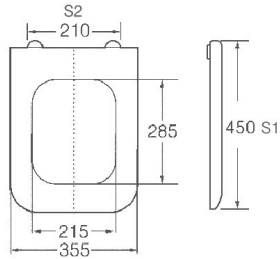
NO	Name	Qty
A	Expansion Pipe	2
B	Pad	2
C	Screw	2
D	Hinge	2
E	Hinge Lid	2

BTW1000



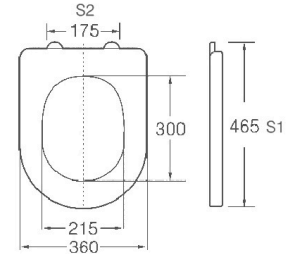
Material	UF	
Size	450x355mm	
Hinge Type	Top installation/Quick release	
Adjustable Distance		
Foot Model	S1	S2
QQ 5cm	420-480	150-270
QQ 5.5cm	415-485	140-280
QQ 6.5cm	405-495	120-300



BTW1010



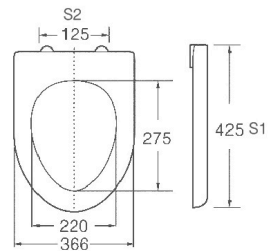
Material	UF	
Size	465x360mm	
Hinge Type	Top installation/Quick release	
Adjustable Distance		
Foot Model	S1	S2
QQ 5cm	435-495	115-235
QQ 5.5cm	430-500	105-245
QQ 6.5cm	420-510	85-265



BTW1020



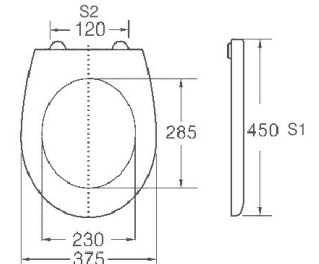
Material	UF	
Size	425x366mm	
Hinge Type	Top installation/Quick release	
Adjustable Distance		
Foot Model	S1	S2
QQ 5cm	395-455	65-185
QQ 5.5cm	390-460	55-195
QQ 6.5cm	380-470	35-215



BTW1030



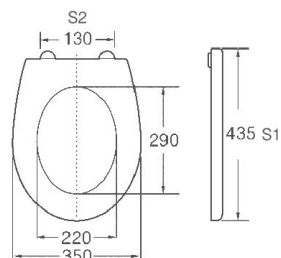
Material	UF	
Size	450x375mm	
Hinge Type	Top installation/Quick release	
Adjustable Distance		
Foot Model	S1	S2
QQ 5cm	420-480	60-180
QQ 5.5cm	415-485	50-190
QQ 6.5cm	405-495	30-210



BTW1040



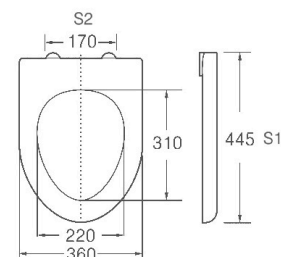
Material	UF	
Size	435x350mm	
Hinge Type	Top installation/Quick release	
Adjustable Distance		
Foot Model	S1	S2
QQ 5cm	405-465	70-190
QQ 5.5cm	400-470	60-200
QQ 6.5cm	390-490	40-220



BTW1070



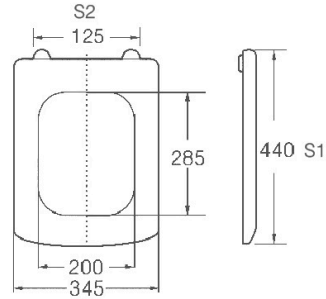
Material	UF	
Size	445x360mm	
Hinge Type	Top installation/Quick release	
Adjustable Distance		
Foot Model	S1	S2
QQ 5cm	415-475	110-230
QQ 5.5cm	410-480	100-240
QQ 6.5cm	390-490	80-260



BTW1075



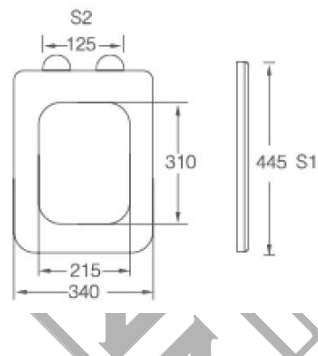
Material	UF	
Size	440x345mm	
Hinge Type	Top installation/Quick release	
Adjustable Distance		
Foot Model	S1	S2
QQ 5cm	410-470	65-185
QQ 5.5cm	405-475	55-195
QQ 6.5cm	395-485	35-215



BTW1080



Material	UF	
Size	445x340mm	
Hinge Type	Top installation/Quick release	
Adjustable Distance		
Foot Model	S1	S2
QQ 5cm	415-475	65-185
QQ 5.5cm	410-480	55-195
QQ 6.5cm	400-490	35-215



BTW1085



Material	UF	
Size	430x360mm	
Hinge Type	Top installation/Quick release	
Adjustable Distance		
Foot Model	S1	S2
QQ 5.5cm	395-465	55-195
QQ 6.5cm	385-475	35-215

